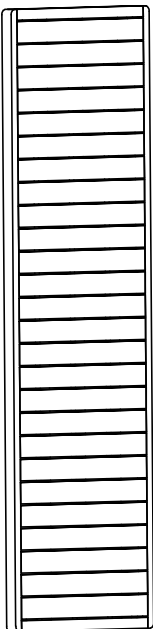


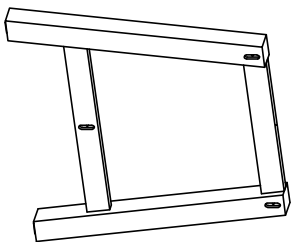
ASSEMBLY INSTRUCTION



[01]x1



[02]x2



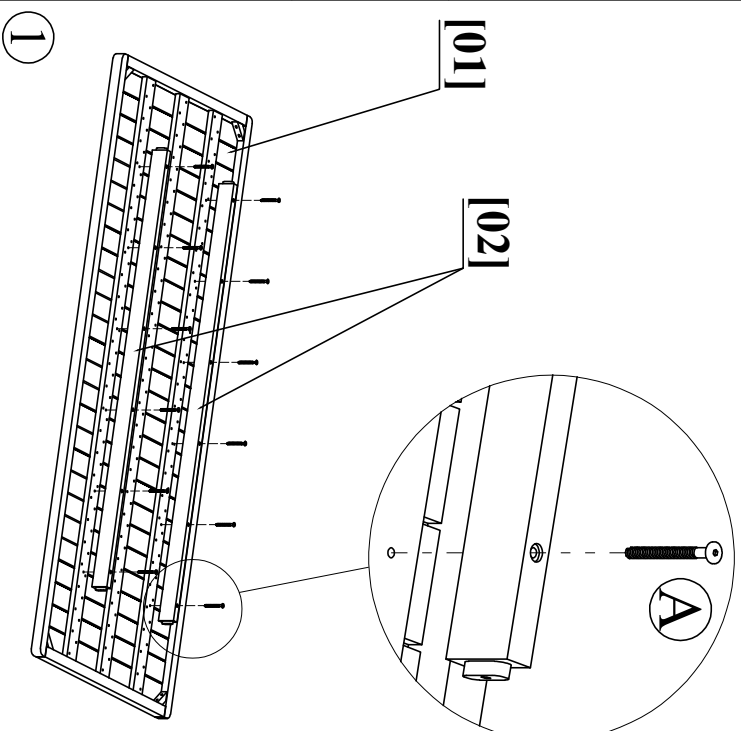
[03]x2



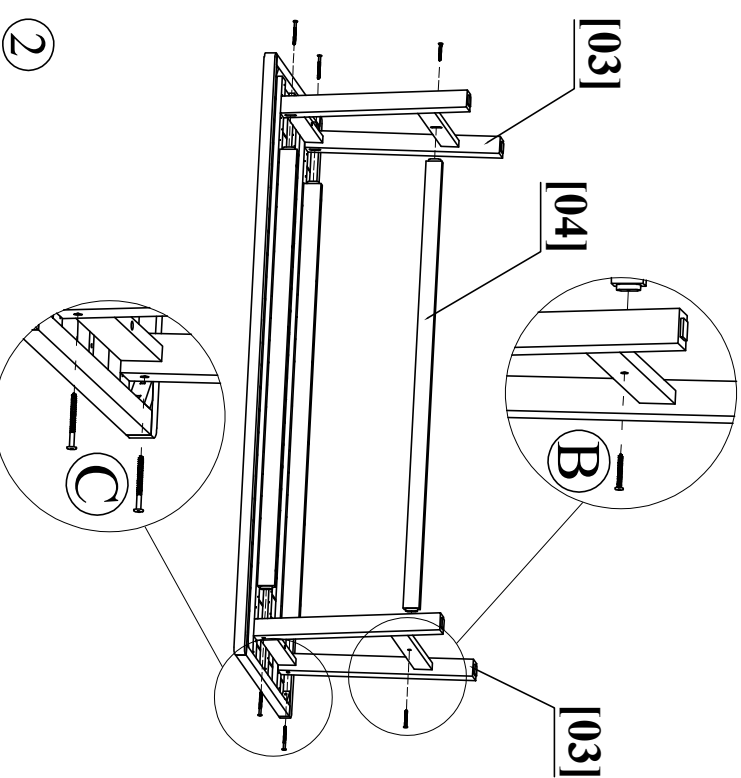
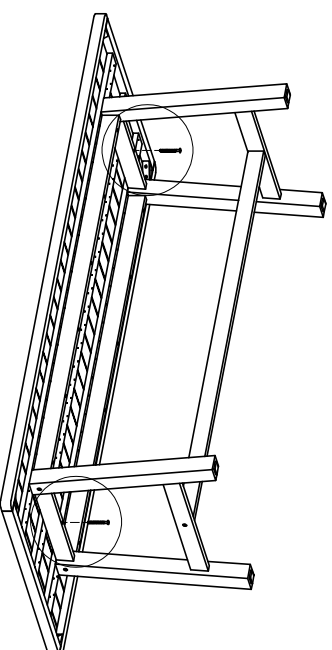
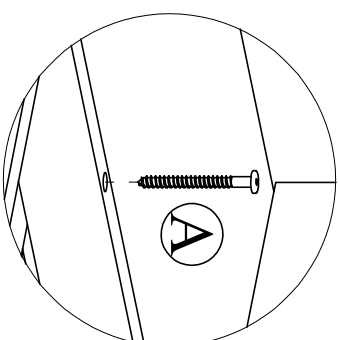
[04]x1

*Hardware

A		Ø6x75	x 14
B		Ø7x60	x 02
C		Ø7x90	x 04
D		Ø4mm	x 01



3



4

