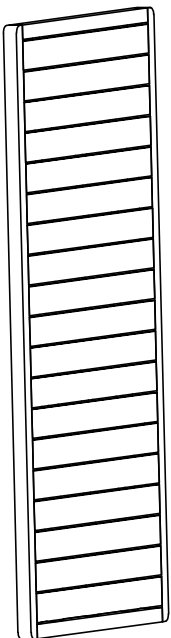


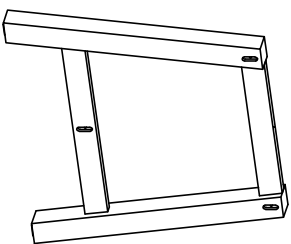
ASSEMBLY INSTRUCTION



[01]x1



[02]x2







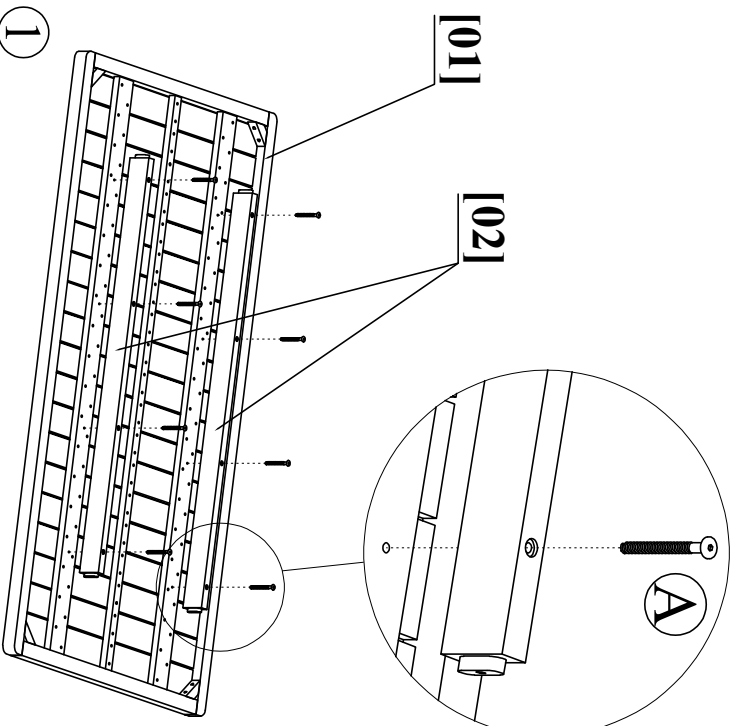
[03]x2



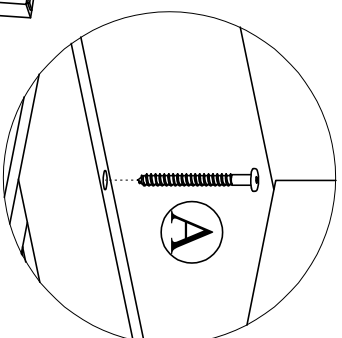
[04]x1

*Hardware

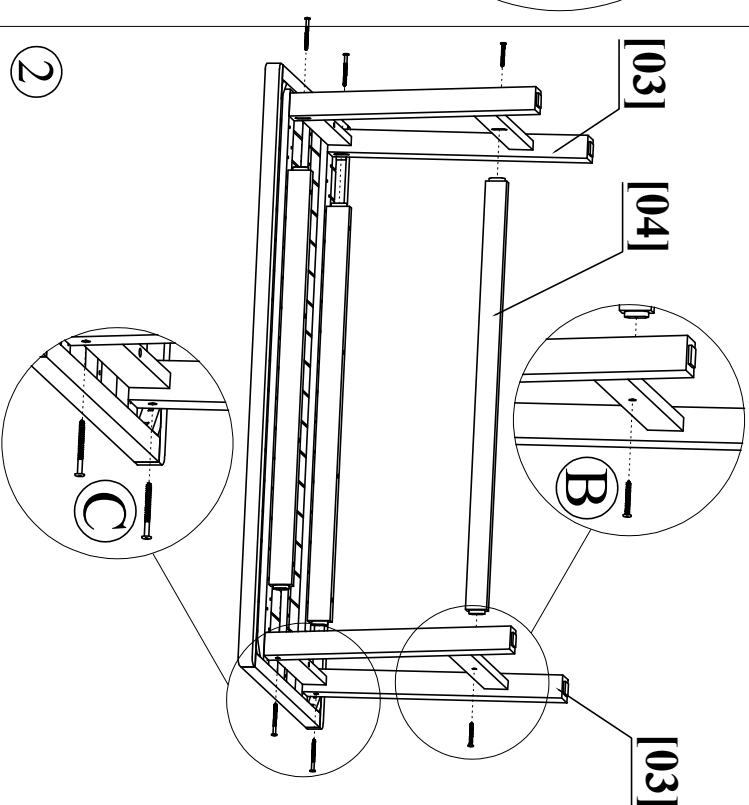
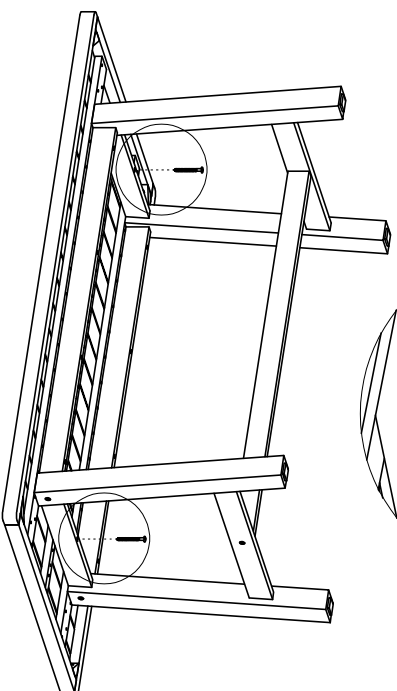
A		Ø6x75 x 10
B		Ø7x60 x 02
C		Ø7x90 x 04
D		Ø4mm x 01



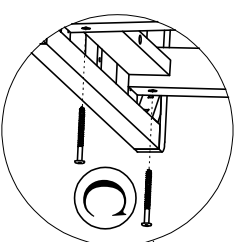
1



3



2



4

