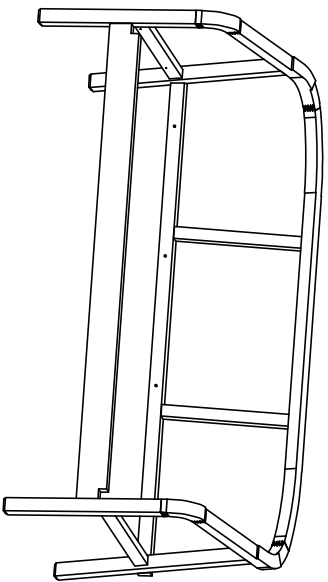
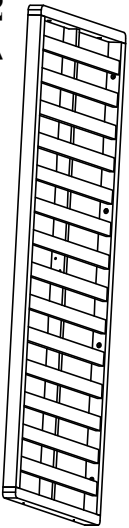


ASSEMBLY INSTRUCTION



[01]x1



[02]x1

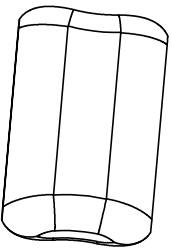
[03]x1






[04]x2



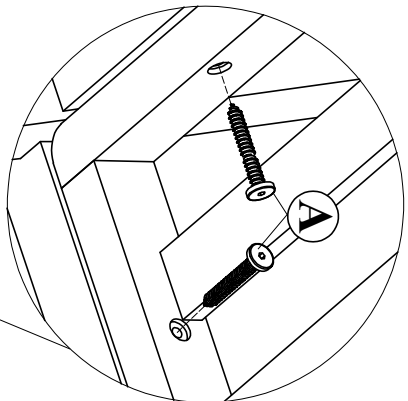
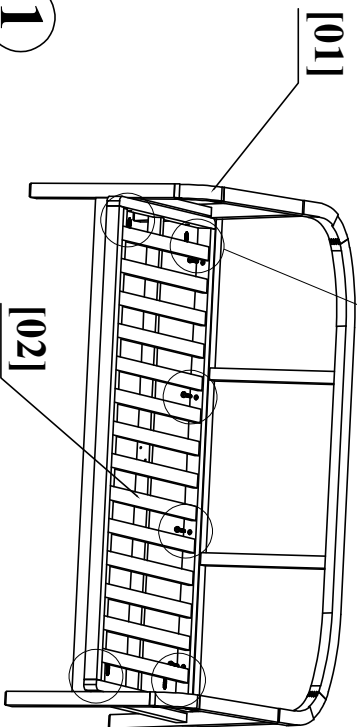
[05]x2



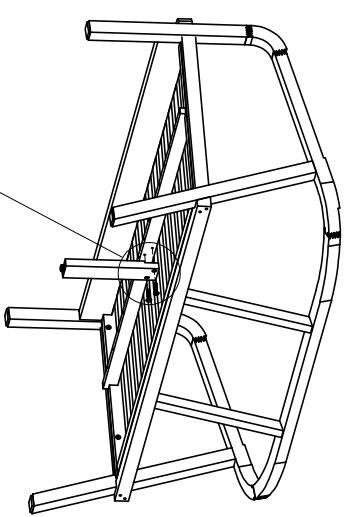
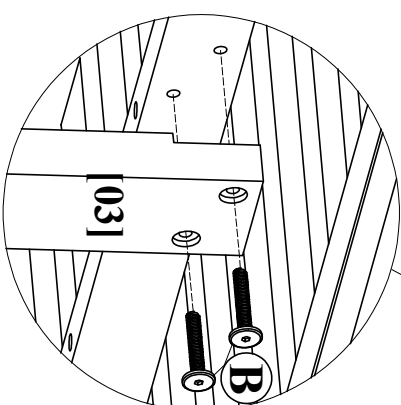
*Hardware

A		Ø6x50	x 08
B		Ø6x35	x 02
C		Ø4mm	x 1

1



2



3

