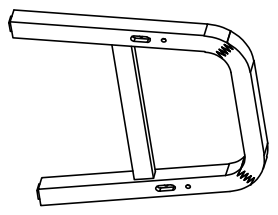


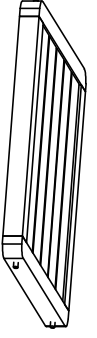
ASSEMBLY INSTRUCTION



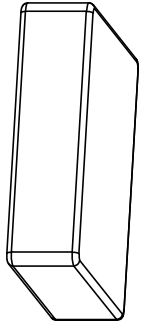
[01] x2



[02] x2



[03] x1



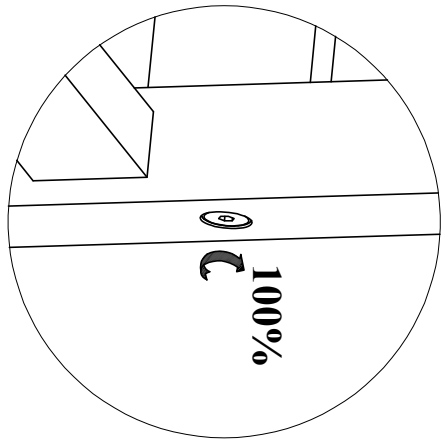
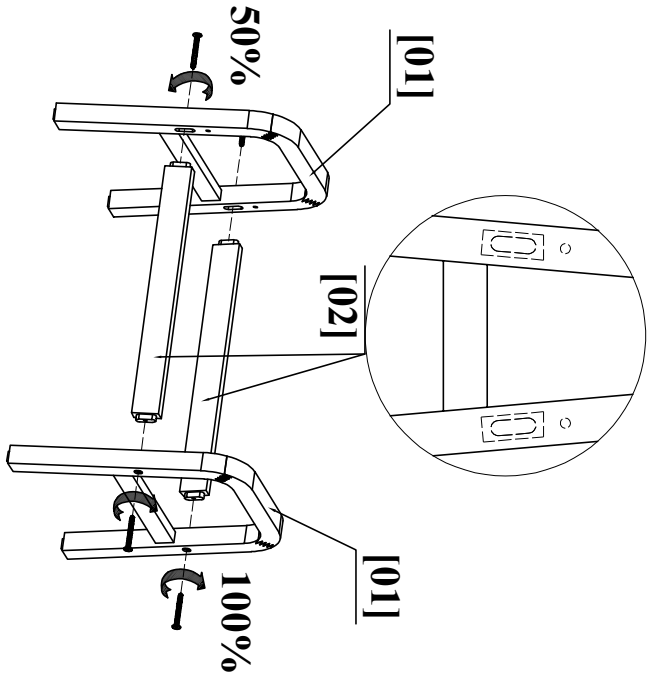
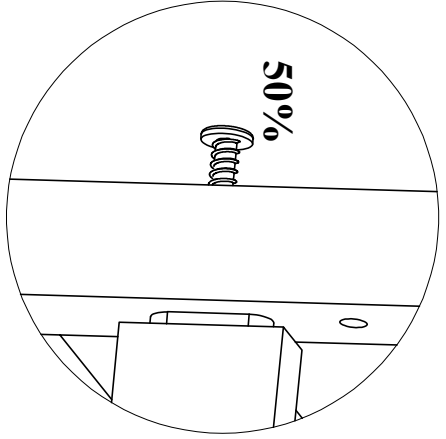
[04] x1

Cushions

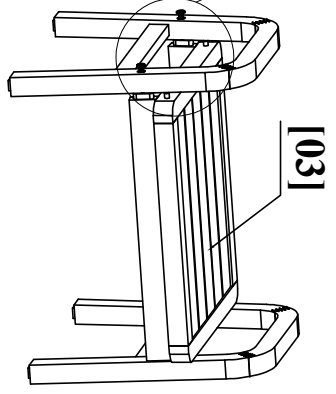
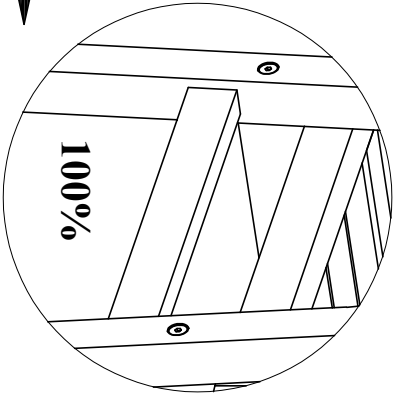
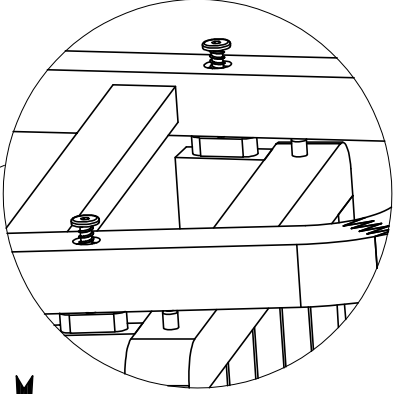
*Hardware

A		Ø7x60	x 04
B		Ø4mm	x 01

1



2



3

