

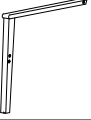

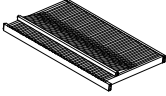


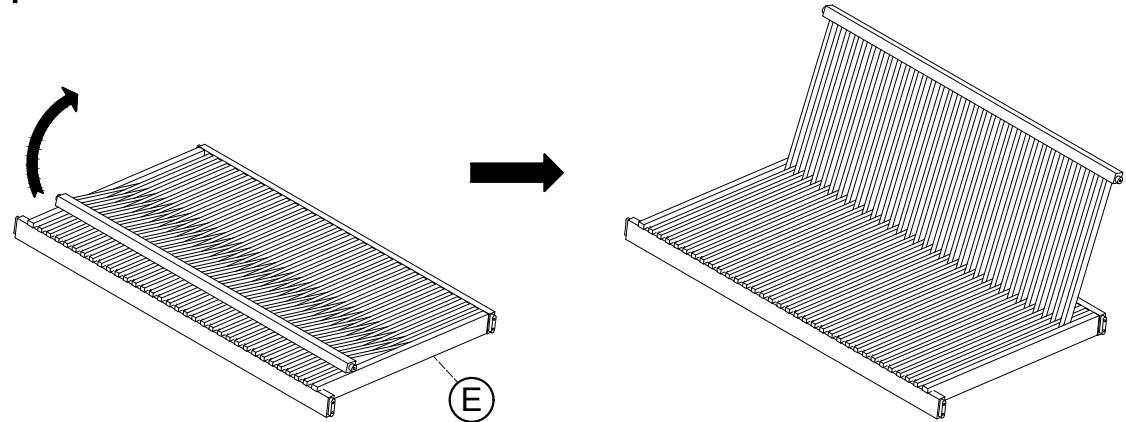


ASSEMBLY INSTRUCTION

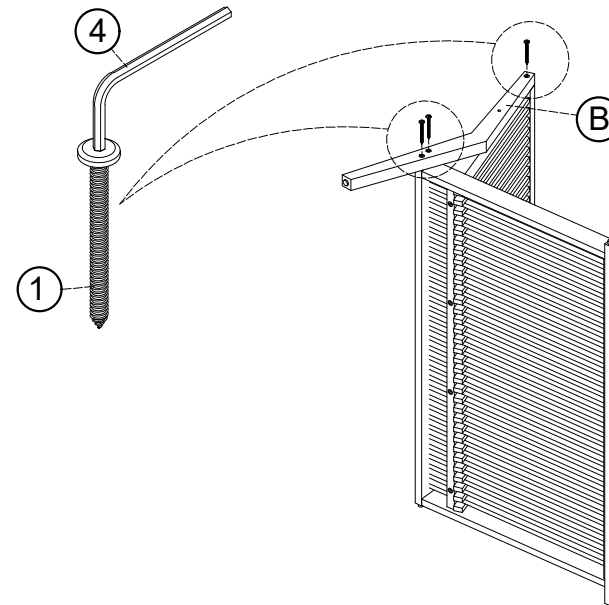
MONA SOFA TWO SEATER - 35101

CODE	PART	Q.TY
A		1
B		1
C		1
D		1
E		1
F		2
G		2

Step 1


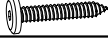






Step 2



HARDWARES



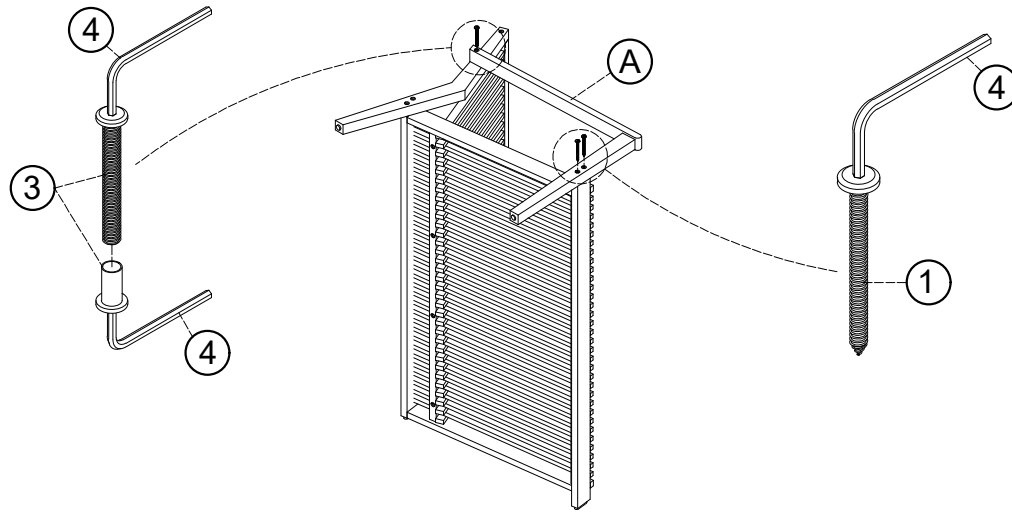
CODE	PICTURE	Q.TY
1	 Screw M6x70	10
2	 Screw M6x35	4
3	 Bolt M8x70 Sleeve nut M8x15	2
4	 Allen key M4	2


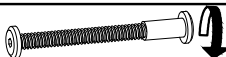

①		3
④		1

ASSEMBLY INSTRUCTION

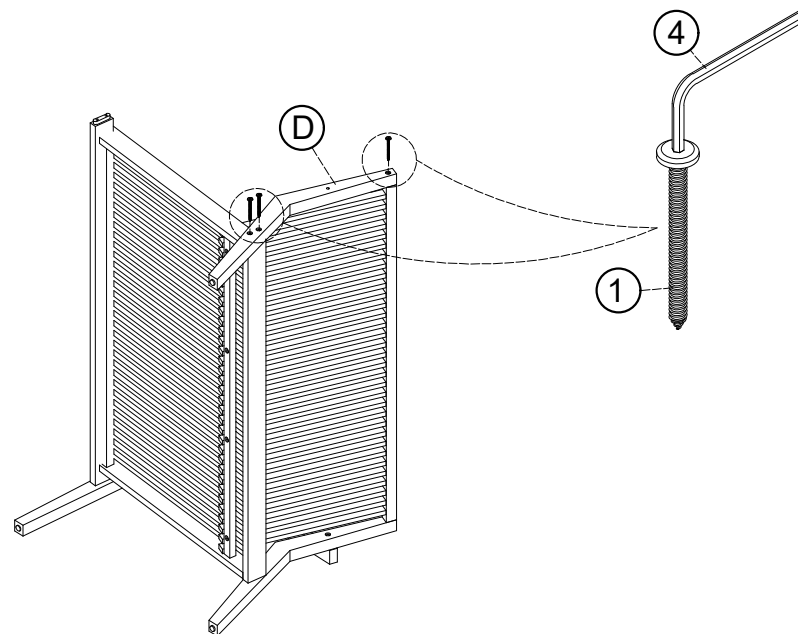
MONA SOFA TWO SEATER - 35101



Step 3



①		2
③		1
④		2

Step 4

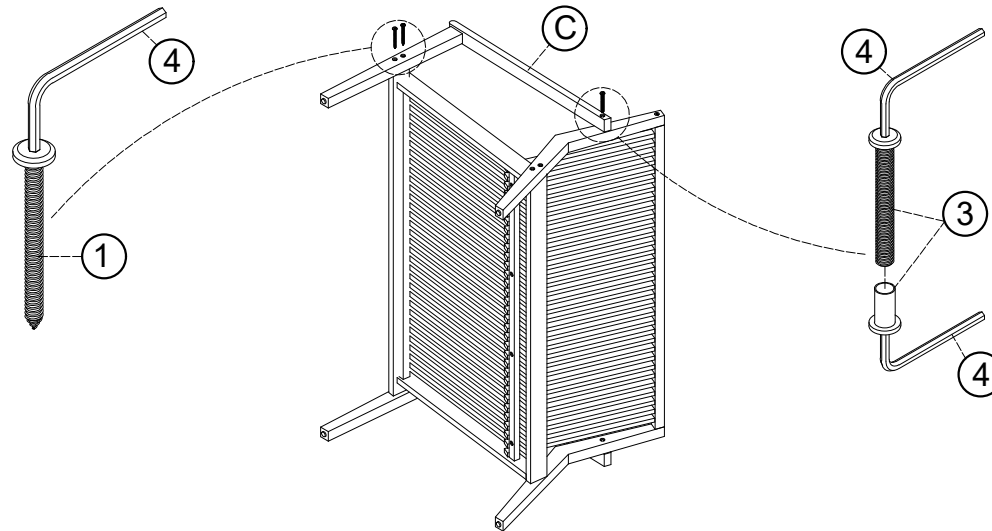



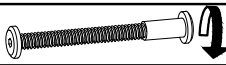

①		3
④		1

ASSEMBLY INSTRUCTION

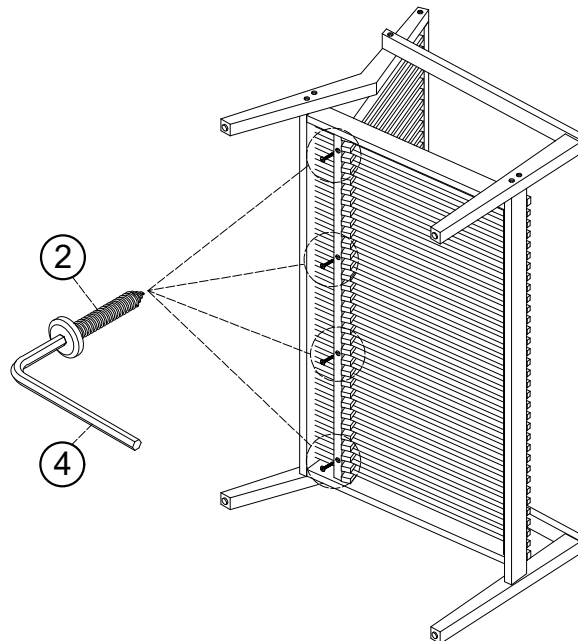
MONA SOFA TWO SEATER - 35101



Step 5



①		2
③		1
④		2

Step 6



②		4
④		1

ASSEMBLY INSTRUCTION

MONA SOFA TWO SEATER - 35101

Step 7

FINISHED

