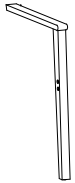



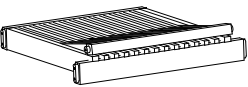










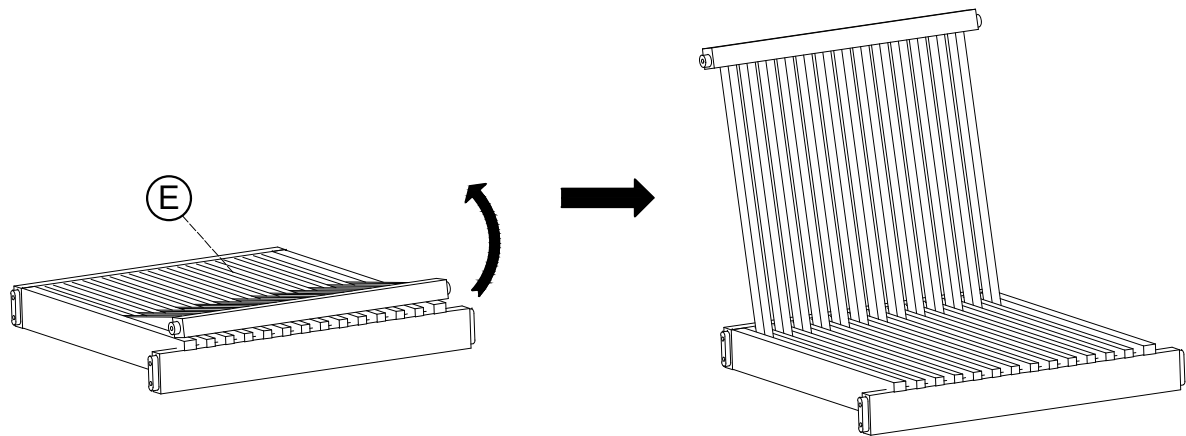
ASSEMBLY INSTRUCTION

MONA DINING CHAIR - 35104

CODE	PART	Q.TY
A		1
B		1
C		1
D		1
E		1
F		1

HARDWARES		
		
CODE	PICTURE	Q.TY
1	 Screw M6x70	10
2	 Screw M6x35	2
3	 Bolt M8x70 Sleeve nut M8x18	2
4	 Screw M4x20	8
5	 L 44x44x18	2
6	 Allen key	2

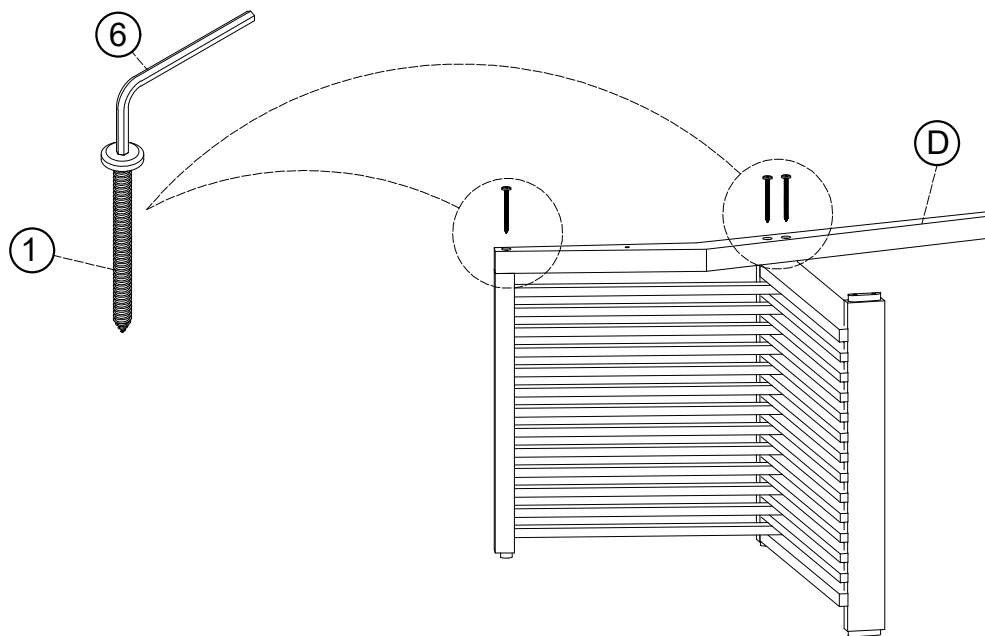
Step 1





ASSEMBLY INSTRUCTION

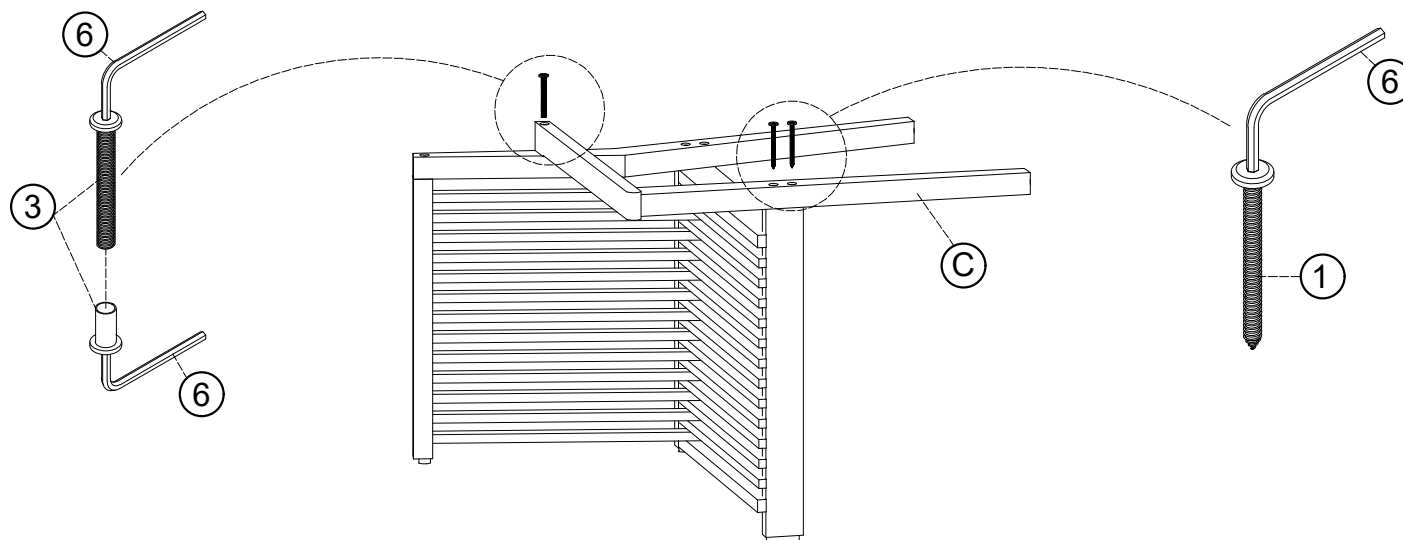
MONA DINING CHAIR - 35104


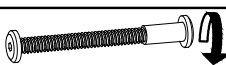

Step 2



①		3
⑥		1

Step 3

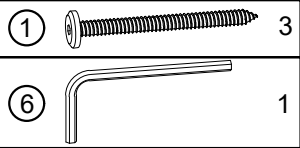
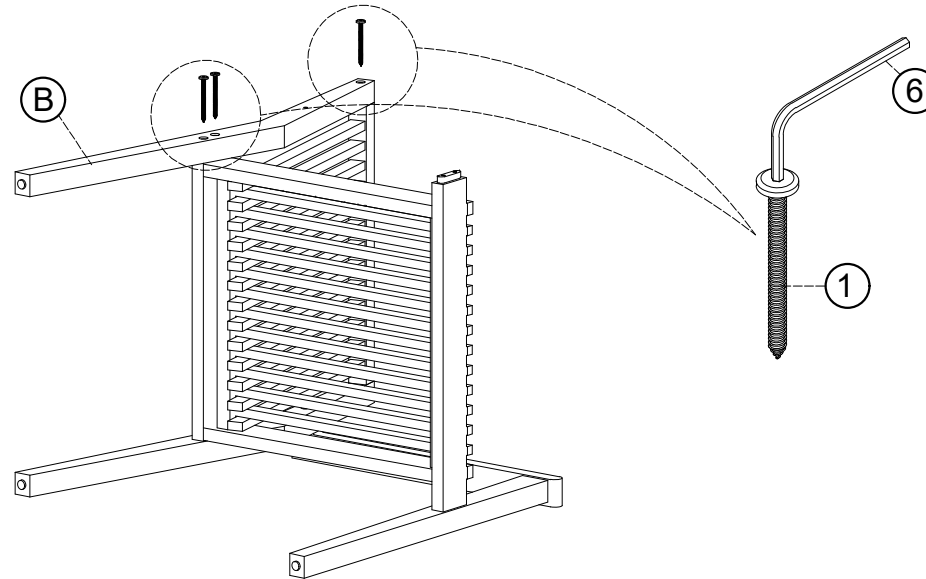


①		2
③		1
⑥		2

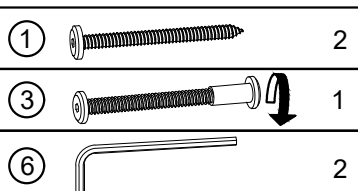
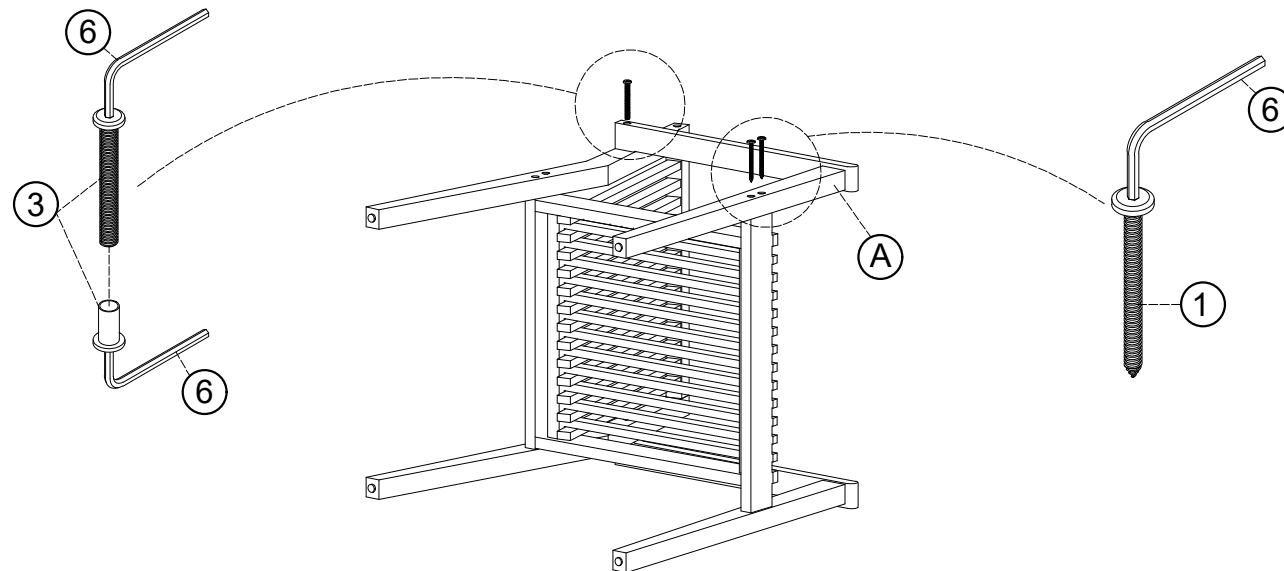
ASSEMBLY INSTRUCTION

MONA DINING CHAIR - 35104

Step 4



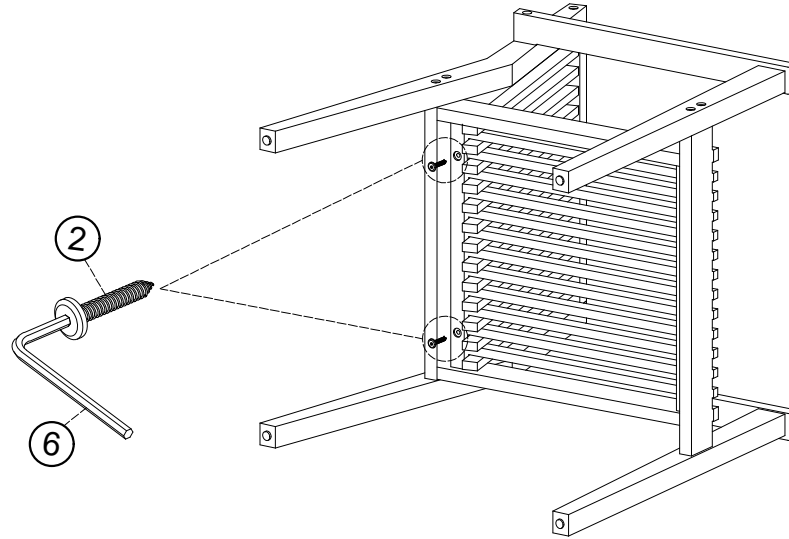
Step 5





ASSEMBLY INSTRUCTION

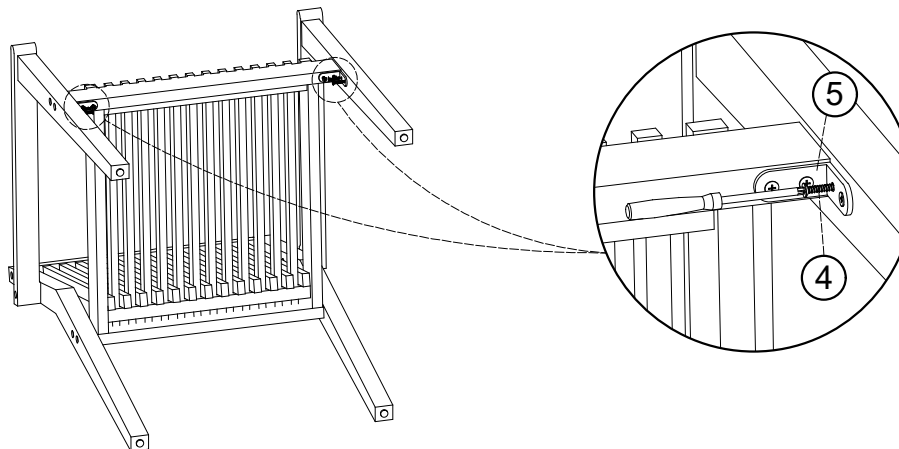
MONA DINING CHAIR - 35104


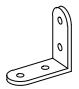
Step 6



②		2
⑥		1

Step 7



④		8
⑤		2

ASSEMBLY INSTRUCTION

MONA DINING CHAIR - 35104

Step 8

FINISHED

