

ASSEMBLY INSTRUCTION

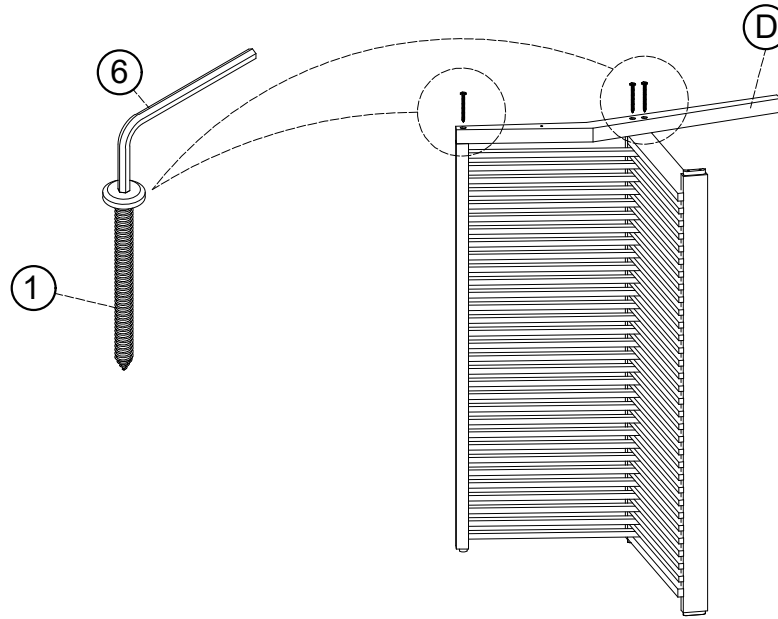
MONA DINING BENCH - 35116



CODE	PART	Q.TY	HARDWARES		
A		1			
B		1	CODE	PICTURE	Q.TY
			1	Screw M6x70	10
			2	Screw M6x35	2
			3	Bolt M8x70 Sleeve nut M8x18	2
			4	Screw M4x20	8
			5	L 44x44x18	2
C		1	6	Allen key	2
D		1	Step 1		
E		1			
F		1			

ASSEMBLY INSTRUCTION

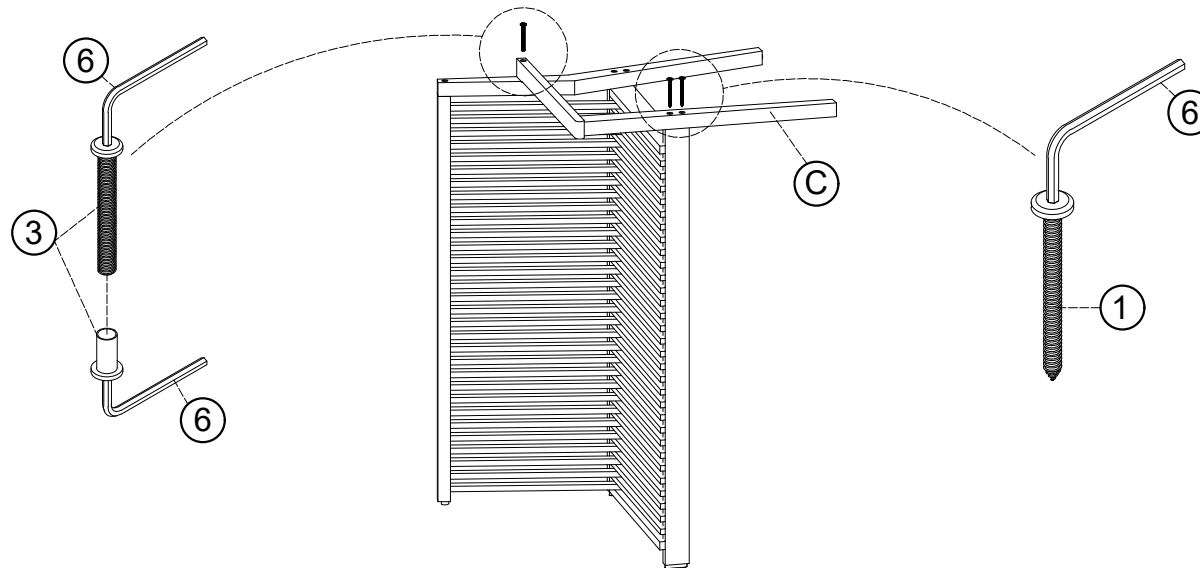
MONA DINING BENCH - 35116




Step 2



①		3
⑥		1

Step 3

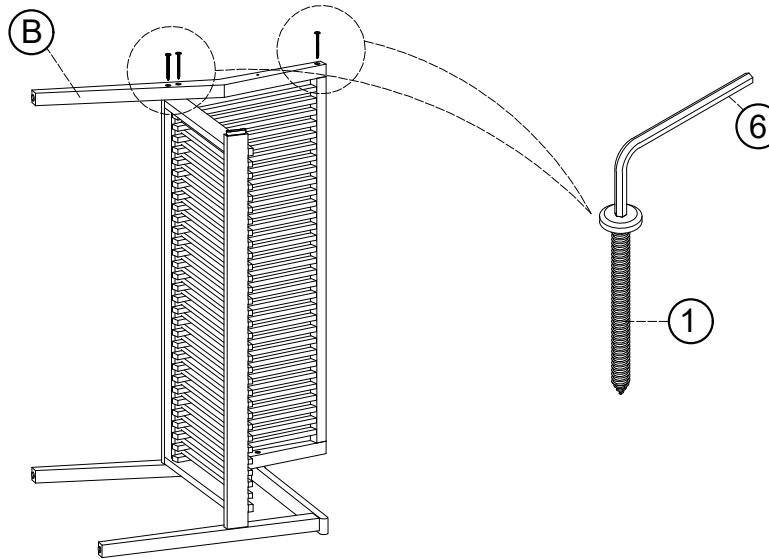


①		2
③		1
⑥		2

ASSEMBLY INSTRUCTION

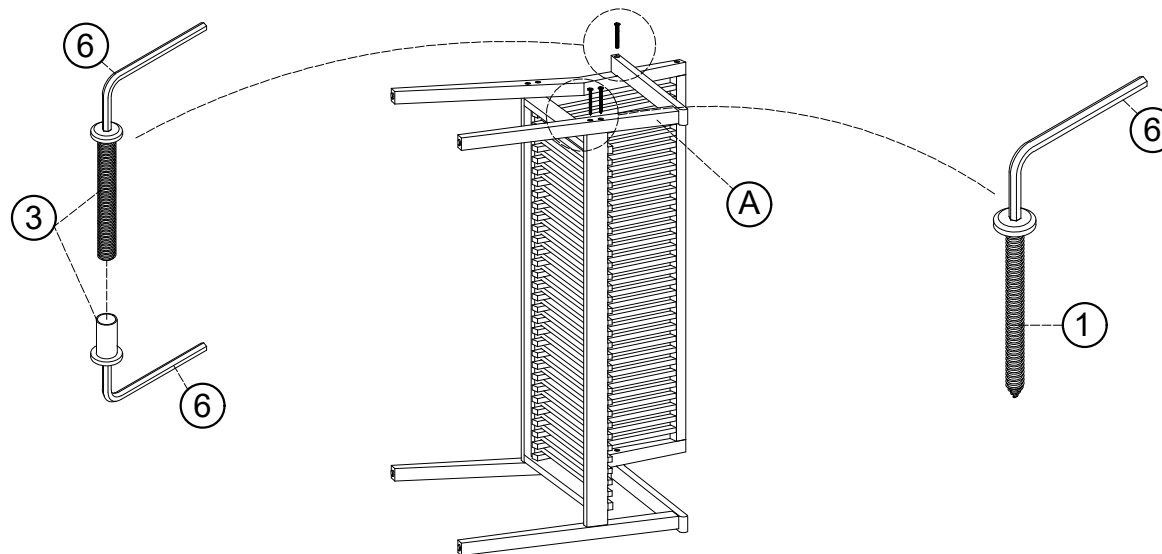
MONA DINING BENCH - 35116

Step 4



①		3
⑥		1

Step 5

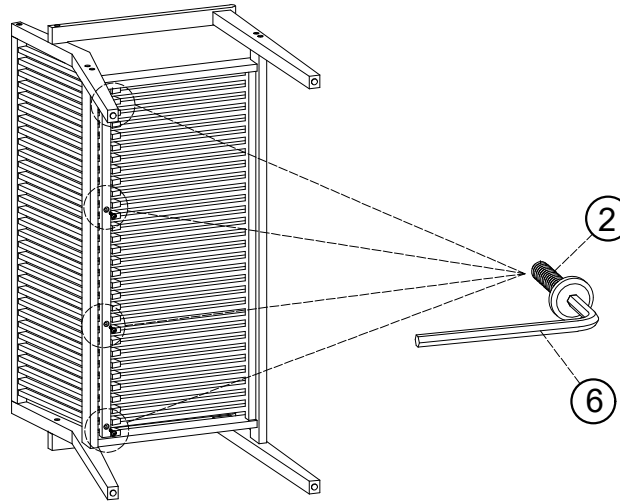




①		2
③		1
⑥		2

ASSEMBLY INSTRUCTION

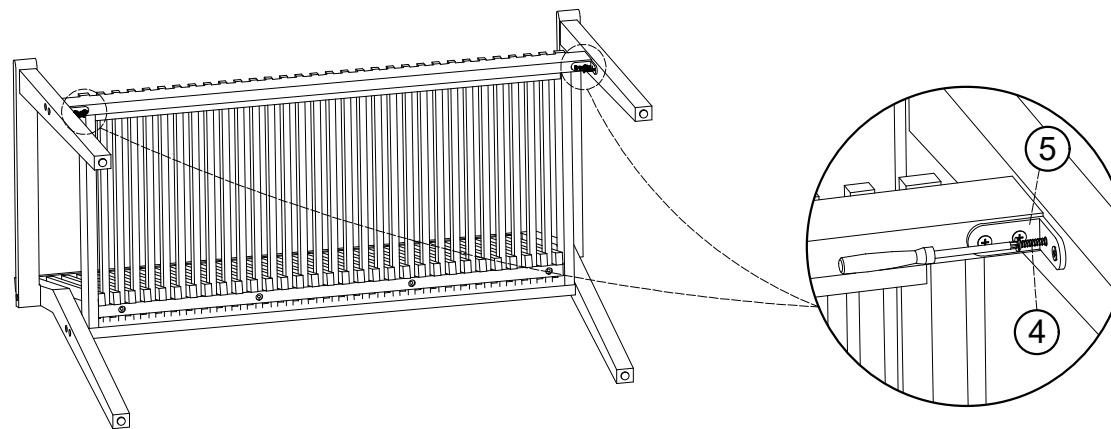
MONA DINING BENCH - 35116


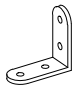
Step 5



②		4
⑥		1

Step 6



④		8
⑤		2

ASSEMBLY INSTRUCTION

MONA DINING BENCH - 35116

Step 7

FINISHED

