

Анализатор параметров сети MF7, 72x72мм

Тип Передняя панель, Функция Network analyzer, Размер 96x96мм, Степень защиты IP54 (спереди), IP20 (соединения)



Технические данные

Тип	Передняя панель
Индикация	
Display values	Current-conductor and neutral current Display voltage phase-phase and phase-N Average current Maximum value of the average current Frequency Operating hours (hours and minutes)
Дисплей	LCD with backlight
Display indication	4 lines / 4 digits
Размер	96x96мм
Accuracy	
Voltage (tolerance)	± 0,5% (80...450 V phase - phase)
Current (tolerance)	± 0.5% (10...120% In)
Neutral current (tolerance) (%)	± 2%
Frequency (tolerance)	± 0.2 Hz
Average current	
Indication in display	Average current and its maximum value

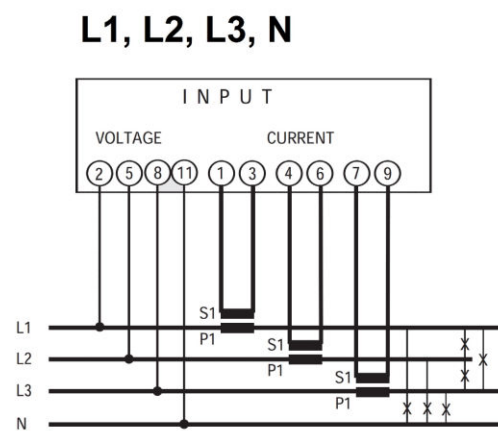
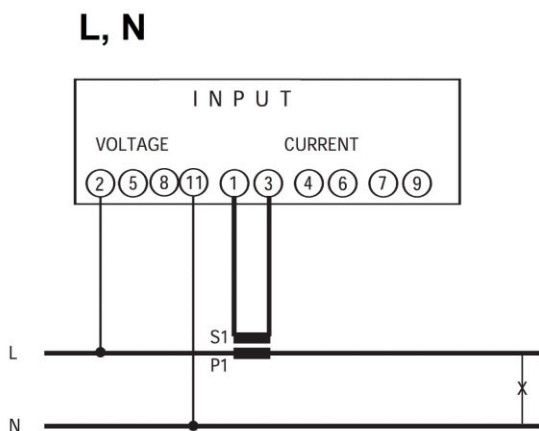
Технические данные - Продолжение

Integration time	adjustable 5/8/10/15/20/30/60 minutes
Calculation	Average value for current and active power over the set time period
Возврат	manually via keys
Programming	
Клавиша	via 2 keys
Programming access	Key combination
Data storage	into non-volatile memory (without battery)
Programmable parameters	
Сетевая система	Alternating current network - three-phase network (4-wire)
Primary currents (A)	5, 10, 15, 20, 25, 30, 40, 50, 60, 70, 75, 80, 100, 120, 125, 150, 160, 200, 250, 300, 400, 500, 600, 700, 750, 800, 1000, 1200, 1250, 1500, 1600, 2000, 2500, 3000, 3200, 4000, 5000, 6000, 7000, 7500, 8000 A
Current average	Integration time, reset of the maximum value
Operating hours counter	Reset
Input	
Mains type	Alternating current network and 4-wire three-phase network
Voltage (three-phase network)	340...450 V (phase-phase)
Voltage (alternating current network)	195...260 V
Nominal current (input)	In 5A oder 1 A
Overload (continuous)	1.2 In
Overload (short-time)	20 In / 0.5 seconds
Вид подключения	a common point only in connection with external current transformers which have inputs
Rated frequency (Hz)	50
Working frequency (Hz)	47...63
Measuring method	True RMS conversion
Harmonic content	up to the 16th harmonic
Самопотребление (напряжения)	≤ 1VA (per phase)
Самопотребление (текущая траектория)	≤ 0.5VA (per phase)
Auxiliary voltage	
Supply	from measuring circuit (self-supplying)
Isolation	Insulation according to EN 60439-1
Installation category	III
Pollution degree	2
Insulation voltage	660 V
Isolation test voltage	4 kV R.M.S. 50 Hz/1 min
Test circuit	all circuits and ground
Electromagnetic compatibility	
Emission test	according to EN 61000-6-3
Immunity test	according to EN 61000-6-2
Working conditions	
Reference temperature (°C)	23 ± 2

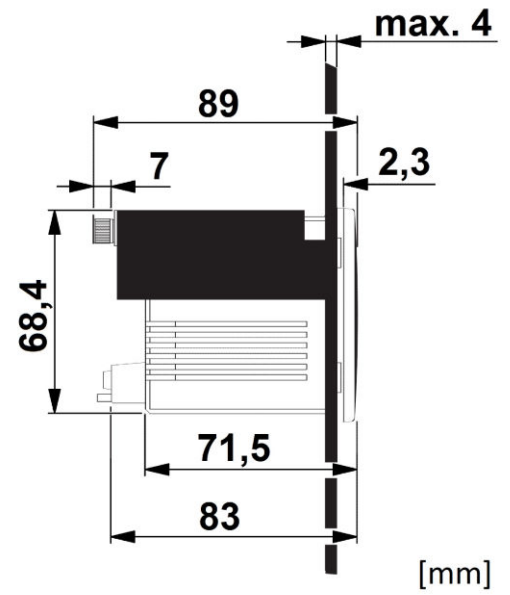
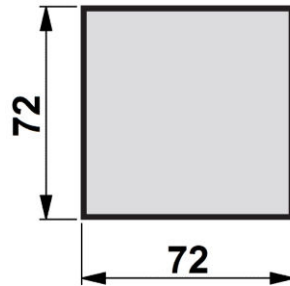
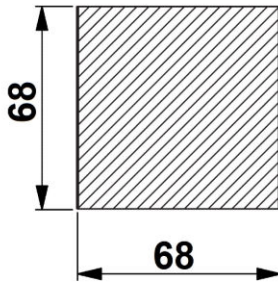
Технические данные - Продолжение

Operating temperature	-5°C to +55°C
Диапазон температур - Транспортировка/хранение (°C)	-25 to +70
Температурное воздействие (°C)	≤ 0,1% / °C
Relative humidity (%)	0 ... 95%
Потеря мощности (W)	5,50
Корпус	
Housing type	for panel mounting (panel cut-out 68 x 68 mm)
Front frame (мм)	72 x 72mm
Глубина (мм)	75
Connection (current)	Wire (flexible) min. 0,05 mm ² / max. 2,5mm ² Wire (fixed) min. 0,05 mm ² / max. 4mm ²
Connection (voltage)	Wire (fixed) min. 0.05 mm ² / max. 4mm ² Wire (flexible) min. 0.05 mm ² / max. 2.5mm ²
Housing material	Makrolon, self-extinguishing
Степень защиты	IP54 (спереди), IP20 (соединения)

MGF37000 Schaltbild



MGF37000 Maßskizze



ОПИСАНИЕ

Номер заказа

Анализатор параметров сети MF7, 72x72мм

Тип Передняя панель, Функция Network analyzer, Размер 96x96мм, Степень защиты IP54 (спереди), IP20 (соединения)

MGF37000