



LEDDownlightRc-BY-U



Anti-glare



CRI>90



650°C Antiflaming



Flicker Free

Application



Shopping Mall



Office



Hotel



Home

Specification

Item Code	Item Description	Power (W)	CCT (K)	Power Factor	Lumen (lm)	Efficacy (lm/W)	Beam angle	Cutout	Product Dimensions	Life Time (L70B50)	MOQ (pcs)
540001391600	LEDDownlightRc-BY R75-5W-3500-BK	5	3500	0.5	360	72	90	Ø75	Ø88*70	25000H	720
540001391700	LEDDownlightRc-BY R75-5W-4000-BK	5	4000	0.5	360	72	90	Ø75	Ø88*70	25000H	720
540001391800	LEDDownlightRc-BY R75-5W-5700-BK	5	5700	0.5	360	72	90	Ø75	Ø88*70	25000H	720
540001391900	LEDDownlightRc-BY R75-7W-3500-BK	7	3500	0.5	520	75	90	Ø75	Ø88*70	25000H	720
540001392000	LEDDownlightRc-BY R75-7W-4000-BK	7	4000	0.5	520	75	90	Ø75	Ø88*70	25000H	720
540001392100	LEDDownlightRc-BY R75-7W-5700-BK	7	5700	0.5	520	75	90	Ø75	Ø88*70	25000H	720
540001392200	LEDDownlightRc-BY R75-9W-3500-BK	9	3500	0.5	630	70	90	Ø75	Ø88*70	25000H	720
540001392300	LEDDownlightRc-BY R75-9W-4000-BK	9	4000	0.5	630	70	90	Ø75	Ø88*70	25000H	720
540001392400	LEDDownlightRc-BY R75-9W-5700-BK	9	5700	0.5	630	70	90	Ø75	Ø88*70	25000H	720
540001392500	LEDDownlightRc-BY R75-5W-BK-TW	5	3000/4000/5700K	0.5	360	72	90	Ø75	Ø88*70	25000H	720
540001392600	LEDDownlightRc-BY R75-7W-BK-TW	7	3000/4000/5700K	0.5	520	75	90	Ø75	Ø88*70	25000H	720
540001392700	LEDDownlightRc-BY R75-9W-BK-TW	9	3000/4000/5700K	0.5	630	70	90	Ø75	Ø88*70	25000H	720



Technical Specification	
CRI	90
Colour Consistency(SDCM)	≤6
Dimmable	3 CCT
Housing Colour	Black
IP	IP20
IK	IK02
Driver integrated(Yes/No)	No
Glow wire test	650 C
Driver failure rate	1% at 50000
Weight(pc/kg)	0.11

Electrical Supply	
Frequency (Hz)	50/60
Voltage (V)	220-240
AC / DC	AC

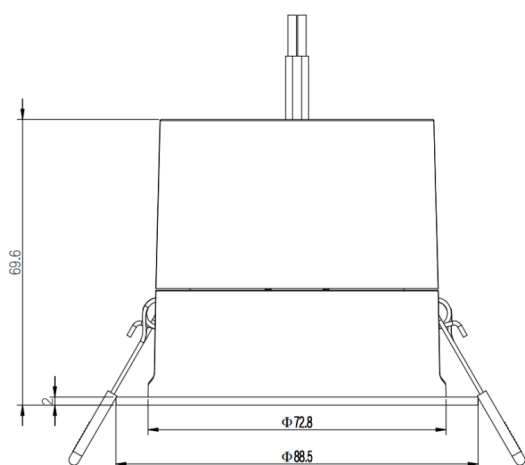
Mechanical and Finishing Properties	
Housing Material	Aluminum
Optical Material	PC

Application Conditions	
Operating Temperature	-10°C-40°C
Application Temperature	25°C
Storage Environment	-25°C-50°C

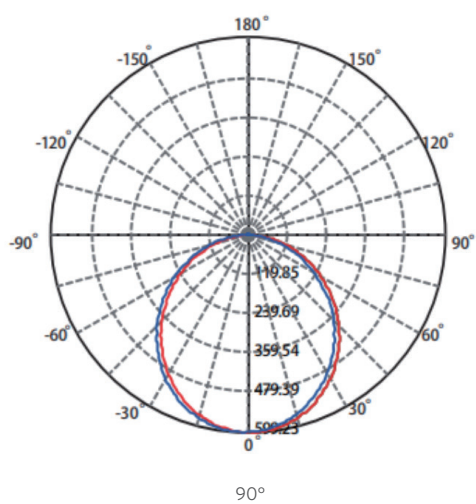
Packaging Information

Item		Single box(1pc/box)		Outer box		
Item Code	Item Description	Dimensions(mm) (LxWxH)	Gross Weight (g)	Dimensions(mm) (LxWxH)	Gross Weight (g)	Packing Qty (pcs/CTN)
540001391600	LEDDownlightRc-BY R75-5W-3500-BK	93*93*87	0.17	390*295*285	6.05	36
540001391700	LEDDownlightRc-BY R75-5W-4000-BK	93*93*87	0.17	390*295*285	6.05	36
540001391800	LEDDownlightRc-BY R75-5W-5700-BK	93*93*87	0.17	390*295*285	6.05	36
540001391900	LEDDownlightRc-BY R75-7W-3500-BK	93*93*87	0.17	390*295*285	6.05	36
540001392000	LEDDownlightRc-BY R75-7W-4000-BK	93*93*87	0.17	390*295*285	6.05	36
540001392100	LEDDownlightRc-BY R75-7W-5700-BK	93*93*87	0.17	390*295*285	6.05	36
540001392200	LEDDownlightRc-BY R75-9W-3500-BK	93*93*87	0.17	390*295*285	6.05	36
540001392300	LEDDownlightRc-BY R75-9W-4000-BK	93*93*87	0.17	390*295*285	6.05	36
540001392400	LEDDownlightRc-BY R75-9W-5700-BK	93*93*87	0.17	390*295*285	6.05	36
540001392500	LEDDownlightRc-BY R75-5W-BK-TW	93*93*87	0.17	390*295*285	6.05	3636
540001392600	LEDDownlightRc-BY R75-7W-BK-TW	93*93*87	0.17	390*295*285	6.05	36
540001392700	LEDDownlightRc-BY R75-9W-BK-TW	93*93*87	0.17	390*295*285	6.05	36

Dimensional Drawing



Photometric Data



OPPLE SHANGHAI OFFICE
Building V3, The Mixc, 1799 Wuzhong Road,
Minhang District, Shanghai, China
ZIP: 201103
T + 86 21 3855 0000
E intersales@opple.com

WWW.OPPLE.COM/EN