

# RAP SERIES LED DRIVERS

---

## DL-150W-RAP\_V1.1

Guangdong DONE Electronic Technology Co., Ltd

## Features

- Class II structure
- Input voltage: 100-240VAC ~ 50/60Hz
- Efficiency :89%(Typ.)
- plastic housing structure, protection grade: IP67
- Lightning protection level: differential mode 4kV
- All-round protection: output temperature, output over-voltage, output over-current, short circuit protection
- 3 years warranty



## Product introduction

DONE DL-150W-RAP is a series of constant voltage products with output power of 150W. Can operate in the input voltage range of 90-264Vac, and provide 12Vdc,24Vdc,36Vdc,48Vdc,with perfect output over temperature, over voltage, over current, overload, short circuit protection. The product is designed with IP67 protection grade. The plastic housing greatly improves the reliability of outdoor applications. Provide reliable power supply solutions for outdoor landscape lighting, architectural lighting, and advertising signage lighting.

## Model list

Model No.	Input voltage	Output power	Output voltage	The default current	Eff. (Typ.)	PF
DL-150W-V12-RAP	100-240V 50/60Hz	150W	12Vdc	0-12.5A	≥89%	0.5
DL-150W-V24-RAP	100-240V 50/60Hz	150W	24Vdc	0-6.25A	≥90%	0.5
DL-150W-V36-RAP	100-240V 50/60Hz	150W	36Vdc	0-4.2A	≥90%	0.5
DL-150W-V48-RAP	100-240V 50/60Hz	150W	48Vdc	0-3.2A	≥90%	0.5

### Note:

1. Test conditions of the above parameters: Ta=25°C, 230Vac input, full load operation for 30 minutes;
2. Including setting error, linear adjustment rate and load adjustment rate;
3. Power supply is used as a component with terminal equipment. EMC is affected by the whole set of devices. Terminal equipment manufacturers need to re-confirm the EMC for the whole set of devices.

## Input characteristics

Parameter	Min	Typ.	Max	Note
Rated input voltage	100Vac 140Vdc	230Vac	240Vac 339Vdc	
Input voltage range	90Vac	-	264Vac	
Rated frequency	47Hz	50/60Hz	63Hz	
Power factor	-	>0.5	-	Full load, 230Vac input
Input current	-	-	2.5A	100% load, 90Vac input
Inrush current	-	-	120A	230Vac, cold start (25°C)
16A Circuit breaker The number of power supplies of the same model can be configured	4pcs (Type B circuit breaker) 8pcs (Type C circuit breaker) for 230Vac input			

## Output characteristics

Parameter	Min	Typ.	Max	Note
Rated current				
DL-150W-V12-RAP		12.5A		
DL-150W-V24-RAP	-	6.25A	-	N/A
DL-150W-V36-RAP		4.2A		
DL-150W-V48-RAP		3.2A		
Output current range				
DL-150W-V12-RAP			12.5A	
DL-150W-V24-RAP	-	-	6.25A	N/A
DL-150W-V36-RAP			4.2A	
DL-150W-V48-RAP			3.2A	
Rated output voltage				
DL-150W-V12-RAP		12V		
DL-150W-V24-RAP	-	24V	-	N/A
DL-150W-V36-RAP		36V		
DL-150W-V48-RAP		48V		
Rated power (100-264Vac)	-	150W	-	N/A
No-load voltage				
DL-150W-V12-RAP			12.5V	
DL-150W-V24-RAP	-	-	24.5V	N/A
DL-150W-V36-RAP			36.7V	
DL-150W-V48-RAP			48.9V	
Efficiency@230Vac				
DL-150W-V12-RAP	89%	90%		
DL-150W-V24-RAP	90%	91%	-	100% load @230Vac
DL-150W-V36-RAP	90%	91%		
DL-150W-V48-RAP	90%	91%		

## Output characteristics

Parameter	Min	Typ.	Max	Note
Output voltage Ripple	-	≤2%	-	100% load
Accuracy of output voltage	-3%	-	+3%	full load
Line regulation	-2%	-	+2%	full load
Load regulation	-2%	-	+2%	full load
Starting time	-	-	500ms	Full load@230Vac

## Protection

Function	Function instructions
Output overload protection	Protection mode:hiccup mode,recovers automatically after fault condition is removed.
Output short circuit protection	Hiccup mode:recovers automatically after fault condition is removed
Over temperature protection	Self-recovery mode: when the housing temperature is greater than 90℃, the output power decreases gradually.
Output over-voltage protection	Output voltage > working voltage 1.08-1.2 Hiccup mode:recovers automatically after fault condition is removed
Output over-current protection	Output current >1.1-1.5 times Output voltage > working voltage 1.08-1.2Hiccup mode:recovers automatically after fault condition is removed

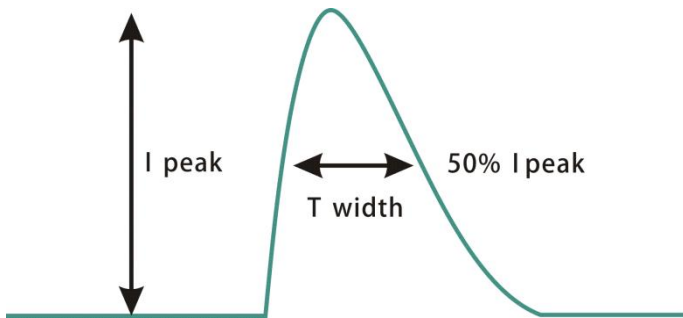
## Safety and EMC

Safety categories	Standard
Safety	GB4943.1 、 IEC62368-1 、 EN62368-1 、 UL8750
EMC	GB/T 9254.1、 IEC61000-3-2 (Class A) 、 EN55032/55035
Surge protection	Differential mode L-N ±4KV (2 ohm) ,Refer to IEC61000-4-5 2014
High-pot test	I/P-O/P:3.75KVac
Insulation impedance	I/P-O/P:100M Ohms/500Vdc/ 25℃/ 70% RH
Leakage current	<0.75mA@240Vac

## Environmental

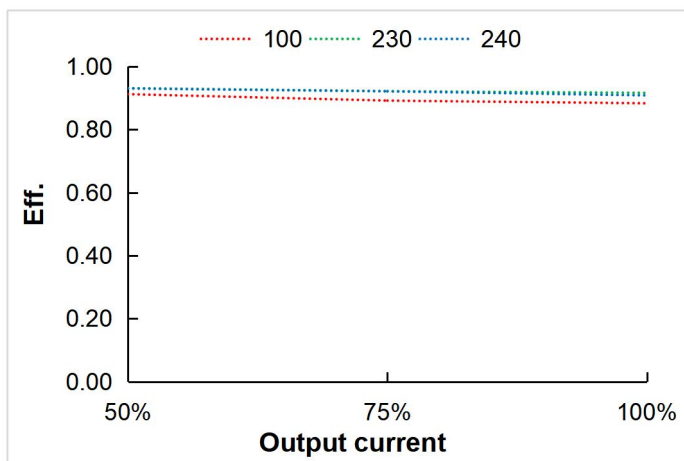
Environmental categories	Parameter
Working temperature	-40~55℃/90℃@230Vac; -40~45℃/90℃@100Vac
Safe housing temperature	-40~90℃
Working humidity	20 ~ 95% RH, non condensing
Storage temperature / humidity	-40 ~ +80℃, 10 ~ 90% RH
Resistant to vibration	10 ~ 500Hz, 5G 12 min/cycle, X, Y, Z axis 72 min each
MTBF	230Khrs min. MIL-HDBK-217F (Ta=25℃)
Lifetime	50,000 hours @Tc≤75℃,230Vac, 100% Load, Please refer to "Tcase VS Lifetime" section

## Inrush current

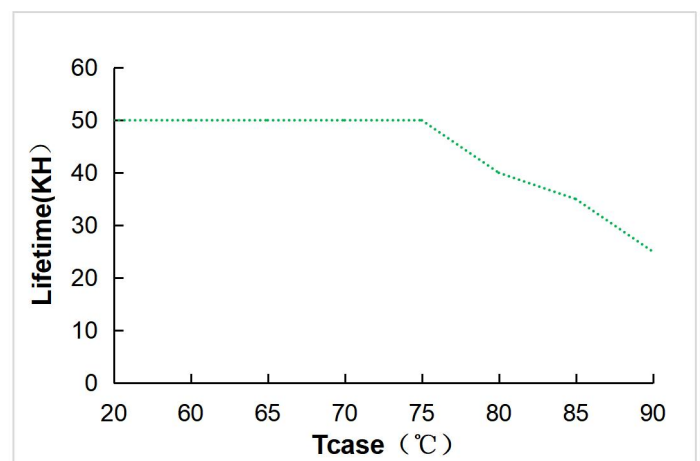


Input voltage	Peak current	T(@50% Peak current)
100Vac	65A	90us
230Vac	96.7A	180us
264Vac	98.3A	270us

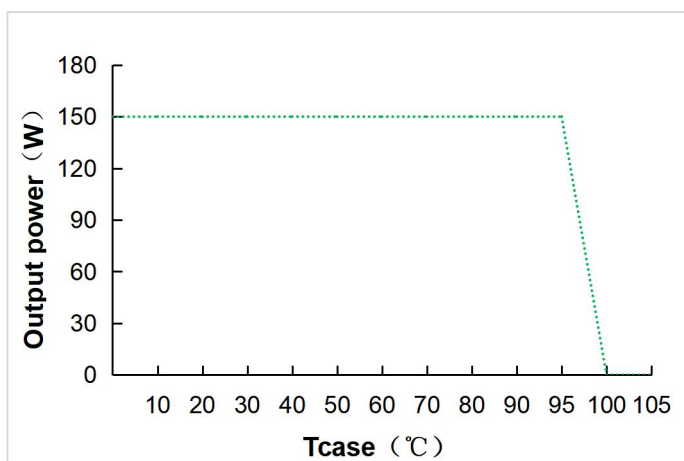
## DL-150W-RAP Parametric curve



Eff. VS Output current

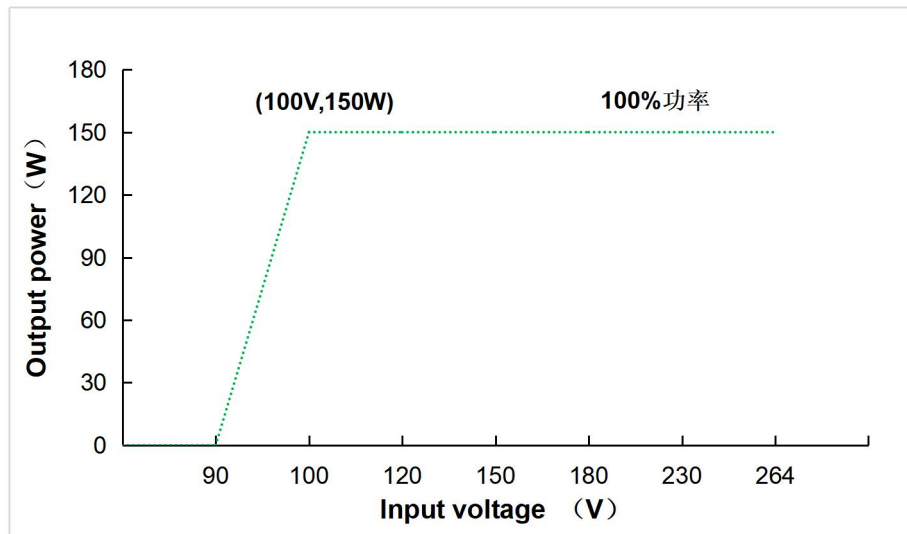


Lifetime VS Tcase



Output power VS Tcase

## DL-150W-RAP Parametric curve



Output power VS Input voltage

**Note:** If the input voltage is lower than 90Vac, the output is off.

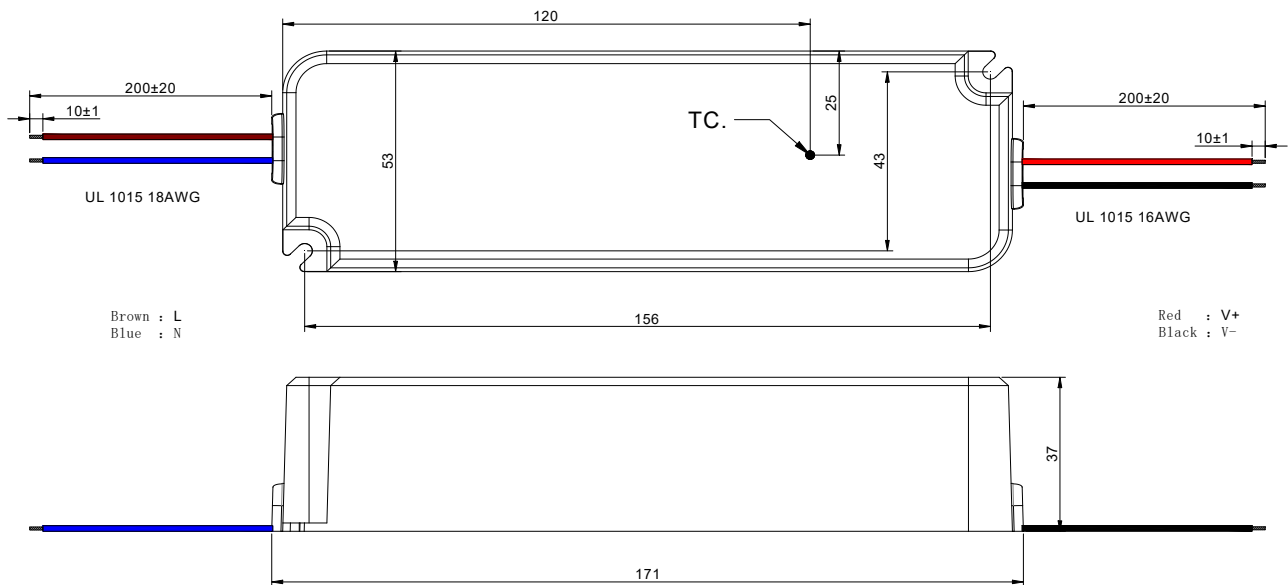
## Mechanical specification

Size (mm)

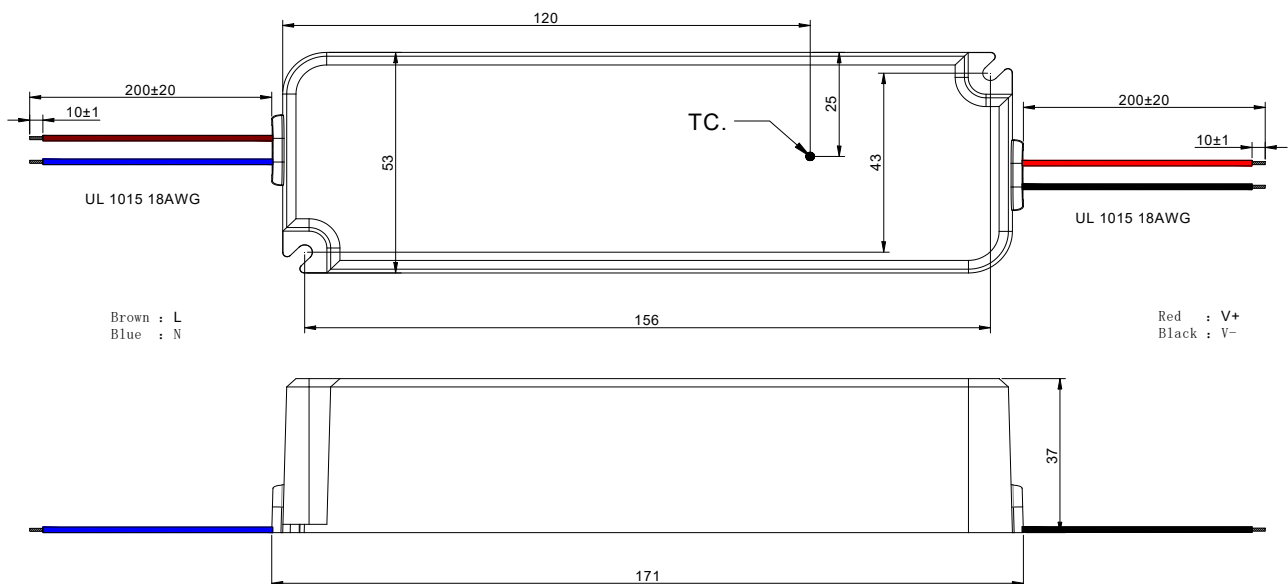
L171mmxW53mmxH37mm

0.55KG

### DL-150W-V12-RAP

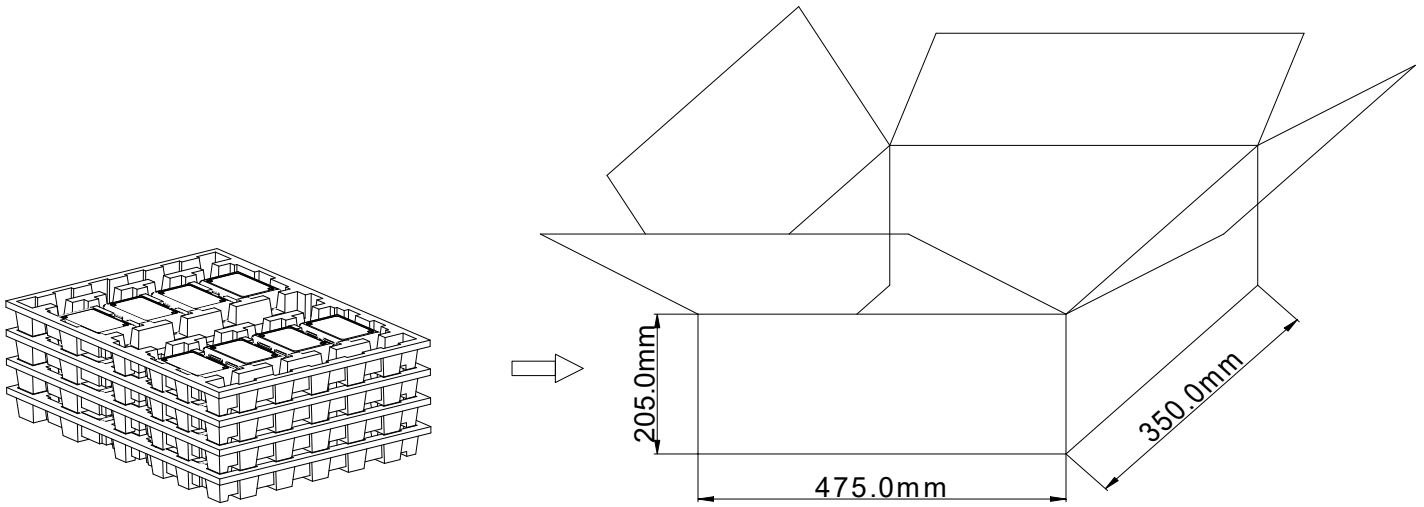


### DL-150W-V24/V36/V48-RAP



## Packaging

Packaging (mm) L475\*W350\*H205mm



Note: One Carton 4 layers and 8pcs each layer, total 32pcs/carton.

### Note:

1. According to the certificate obtained by the LED DRIVER, the LED DRIVER with the English label is sold in Europe, America and India.
2. The LED DRIVER with Chinese label is only used for China market.

**Version**

DATE	DESCRIPTION	REV.	CHECK
2024.01.15	Initial version.	V1.0	
2024.05.30	FCC UL certificated	V1.1	

**MANUFACTURER**

EDIT

CHECK

APPROVE