

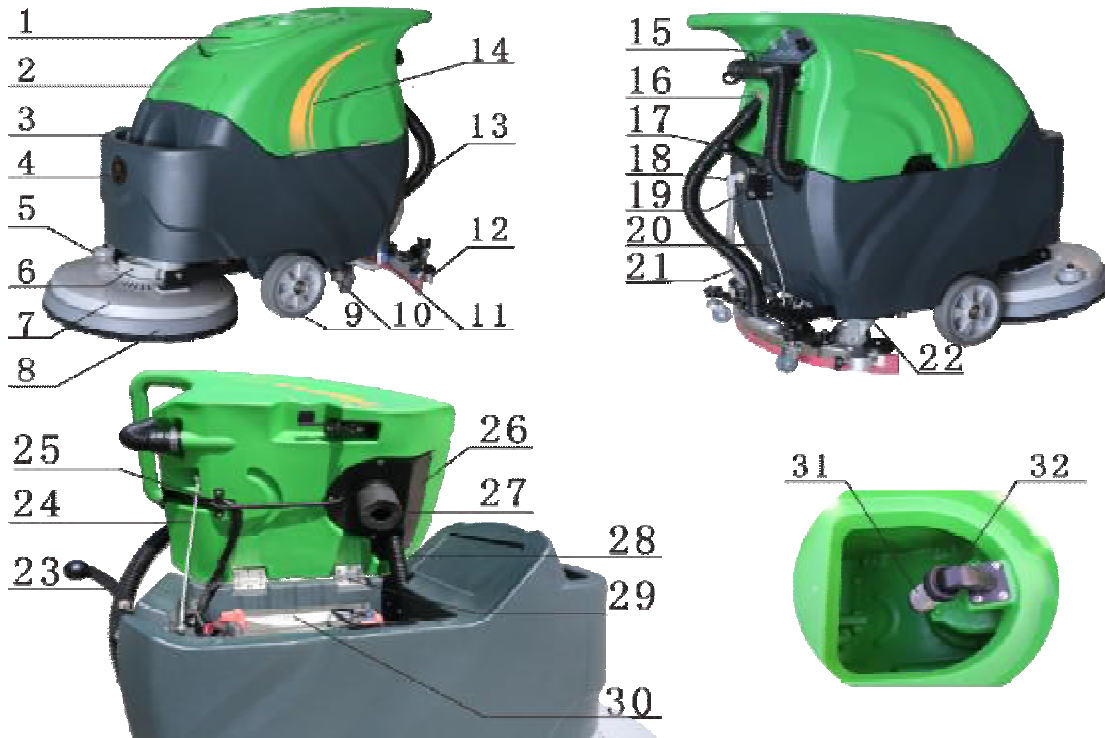


Illustrate Parts List

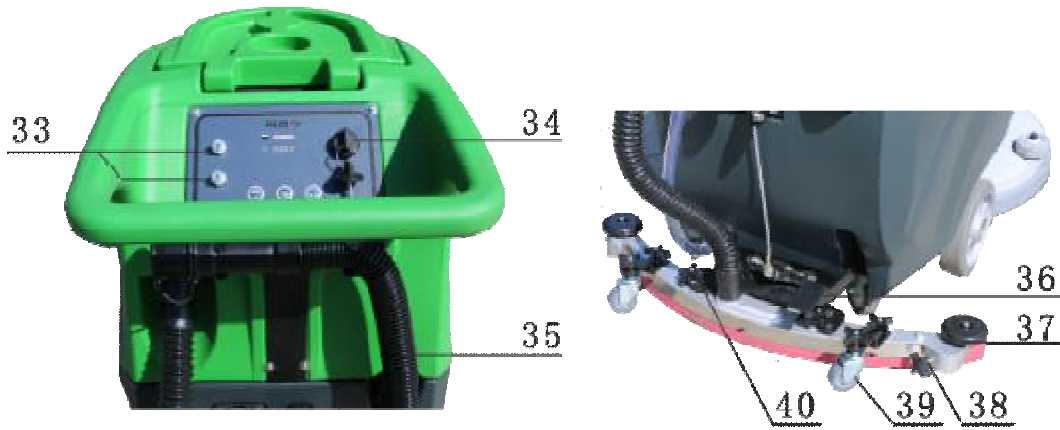
DQX5D

全自动洗地机



MACHINE COMONENTS

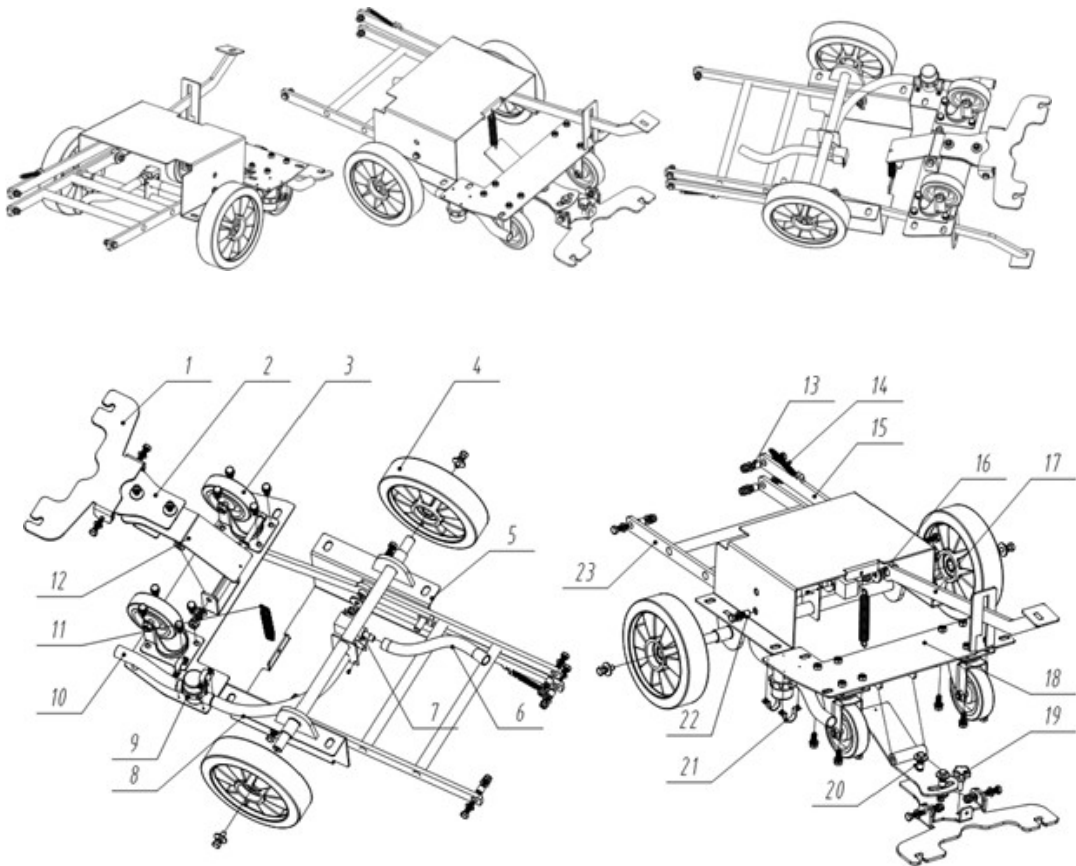
- | | |
|-------------------------------------|---------------------------------------|
| 1. 污水箱盖/Sewage tank cover | 17. 转动手柄/Turning handle |
| 2. 污水箱/Sewage tank | 18. G1/2 弯接头/G1/2 Bend joint |
| 3. 清水箱 /Clean water tank | 19. 水扒提升限位板/Squeegee lift limit plate |
| 4. 车身铭牌标/Boy nameplate | 20. 提升拉绳/Lift rope |
| 5. 防撞轮/Anti-collision wheel | 21. 水量刻度管/Water scale tube |
| 6. 刷盘电机/Brush plate motor | 22. 万向轮 4 寸/Caster (4 inch) |
| 7. 刷盘罩/Brush cover labeling | 23. 水扒提升拉手/Squeegee lift handle |
| 8. 挡水圈/Against hydrosphere | 24. 拉绳/Lift rope |
| 9. 主轮/Main wheel | 25. 线束/Wire harness |
| 10. 过滤器/Filter | 26. 排气罩/ Exhaust hood |
| 11. Mini 球阀/ Mini Ball valve | 27. 消音管/Baffler tube |
| 12. 吸水扒部件/SQUEEGEE PARTS | 28. 电机出风管/Electric duct |
| 13. 吸水管/Suction pipe | 29. 合页/Hinge |
| 14. 型号标贴/Type of labeling | 30. 电池/Battery |
| 15. 控制面板/Control panel | 31. 浮球过滤网/Float filter |
| 16. 吸水转接管/Suck water and tanke over | 32. 吸水弯管/Suction pipe |



- 33. 自恢复保险/Self-recovery insurance
- 34. 钥匙开关/Key switch
- 35. 排污管/Sewage pipe

- 38. 四星梅花螺杆/Four-star plum acrow
- 39. 万向轮 (2 寸) /Caster (2 inch)
- 40. 四星梅花螺母/Four-star plum nut

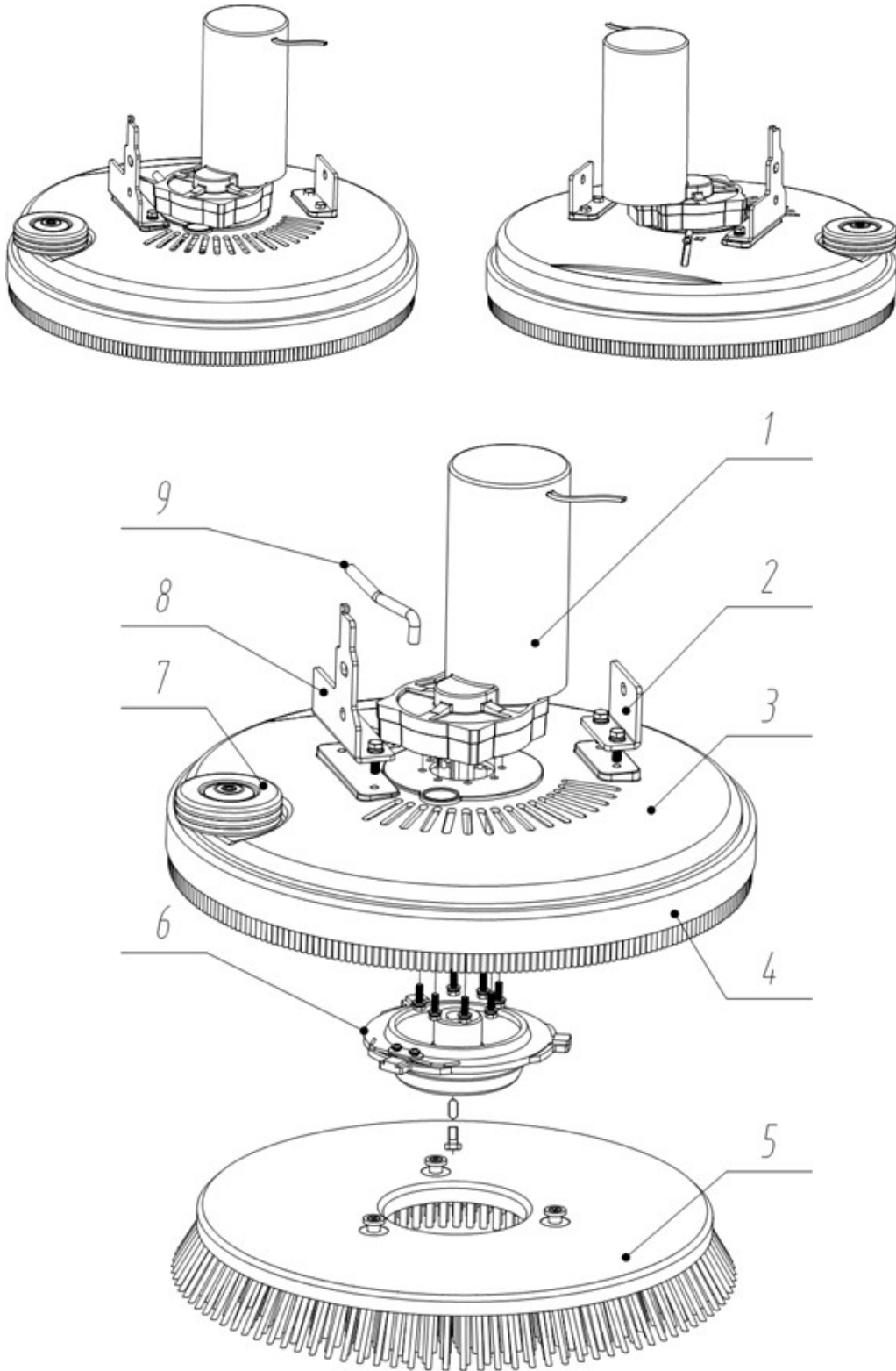
底盘部件/CHASSIS PARTS



底盘部件/CHASSIS PARTS

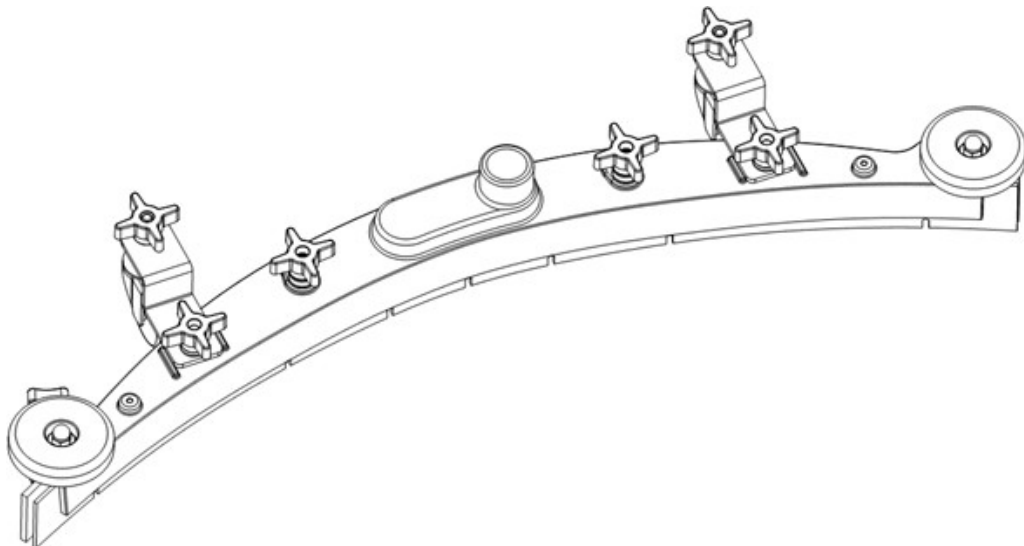
No.	MPN	零件名称	Part Name	QTY
1-1	6201201068000	水扒固定板	Squeegee fixing plate	1
1-2	6201501013000	水扒旋转板	Squeegee rotate plate	1
1-3	6300602010000	万向轮 (4 英寸)	Caster(4 inch)	2
1-4	6300601002000	主轮 (带轴承)	Main wheel (with bearing)	2
1-5	6900600024000	底盘	Chassis	1
1-6	6300206015000	硅胶软管	Silicone hose	1
1-7	6201101001A00	电磁阀	Electromagnetic valve	1
1-8	6300206015000	硅胶软管	Silicone hose	1
1-9	6201002004000	过滤器	Filter	1
1-10	6300206015000	硅胶软管	Silicone hose	1
1-11	6200202005A00	拉伸弹簧	Stretch spring	1
1-12	6201201064000	水扒提升支架	Water chop lifting bracket	1
1-13	6202002003B10	铜套	Copper cover	1
1-14	6200202015000	弹簧	Spring	1
1-15	6204201068000	摆臂	Swing arm	1
1-16	6202002035000	摆臂铜套 3	Copper sleeve of swing	3
1-17	6201503044000	刷盘提升杆	Brush plate lift lever	1
1-18	6201201062000	清水箱底部钣金	The water tank is golden	1
1-19	2200600010000	胶木螺栓	Bakelite bolts	1
1-20	6202002010A00	铜套	Copper cover	3
1-21	6207601002000	过滤器压码	Filter pressing code	2
1-22	6202002010A00	铜套	Copper cover	3
1-23	6204201070000	刷盘摆臂架	Brush plate swing arm frame	1

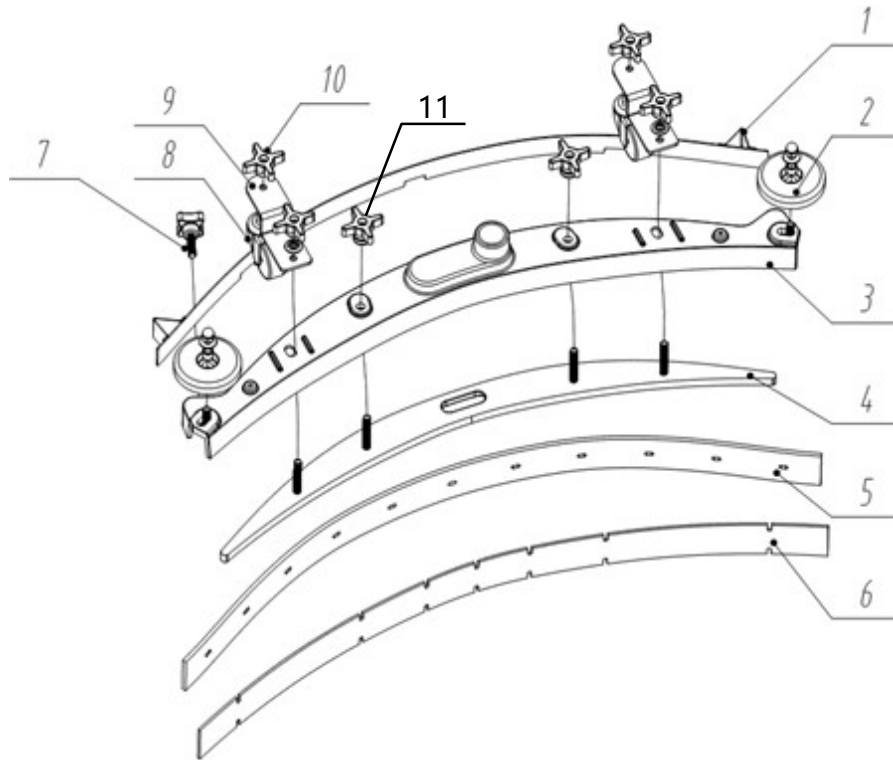
刷系统部件/BRUSH PLATE PARTS



刷系统部件/BRUSH PLATE PARTS

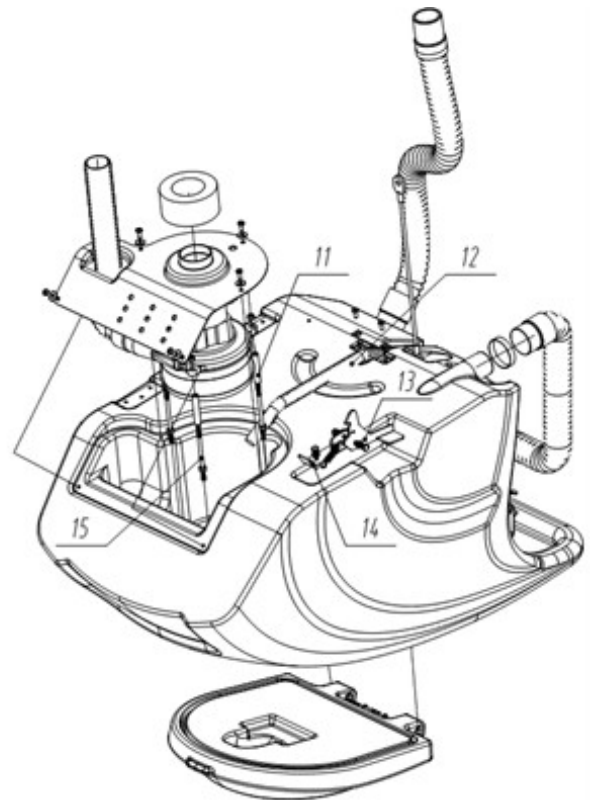
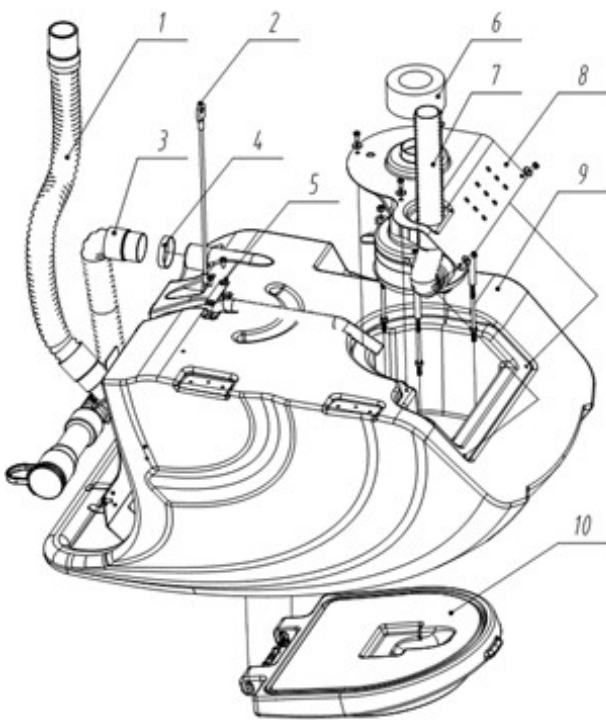
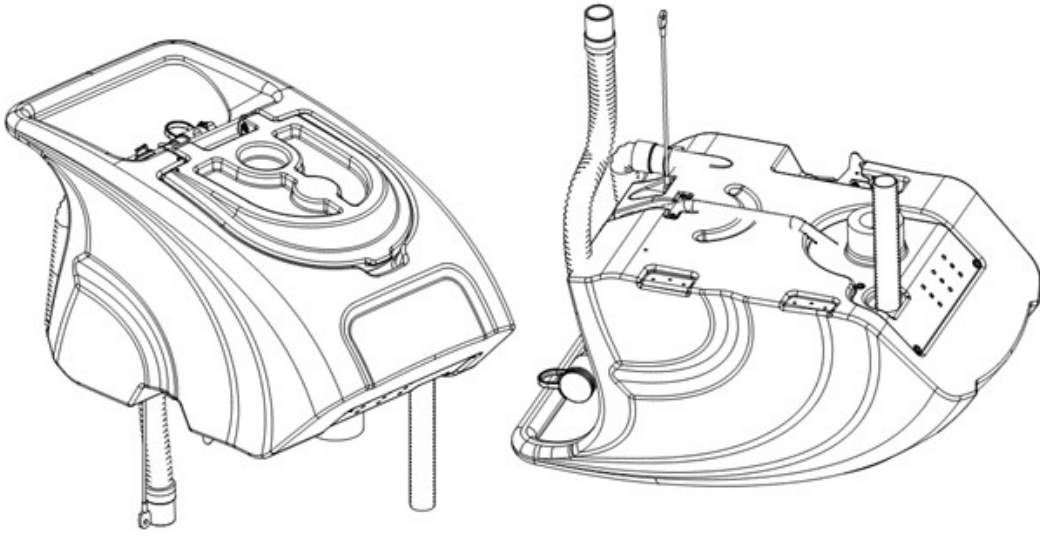
No.	MPN	零件名称	Part Name	QTY
2-1	6100100011000	刷盘电机 (带端子)	Brush plate motor	1
2-2	6201904020000	刷盘左固定块	Brush the lift fixed block	1
2-3	6300104019000	铝合金刷盘罩	Brush cover labeling	1
2-4	6300301004000	挡水圈	Against hydrosphere	1
2-5	6300401015000	20"盘刷	Brush	1
2-6	6201402063000	盘刷固定座	Brush the seat	1
2-7	6300604005000	防撞轮	Anti-collision wheel	1
2-8	6201904022000	刷盘右固定块	Brush the right fixed block	1
2-9	6201601007000	电机出水管	Motor exhalent siphon	1

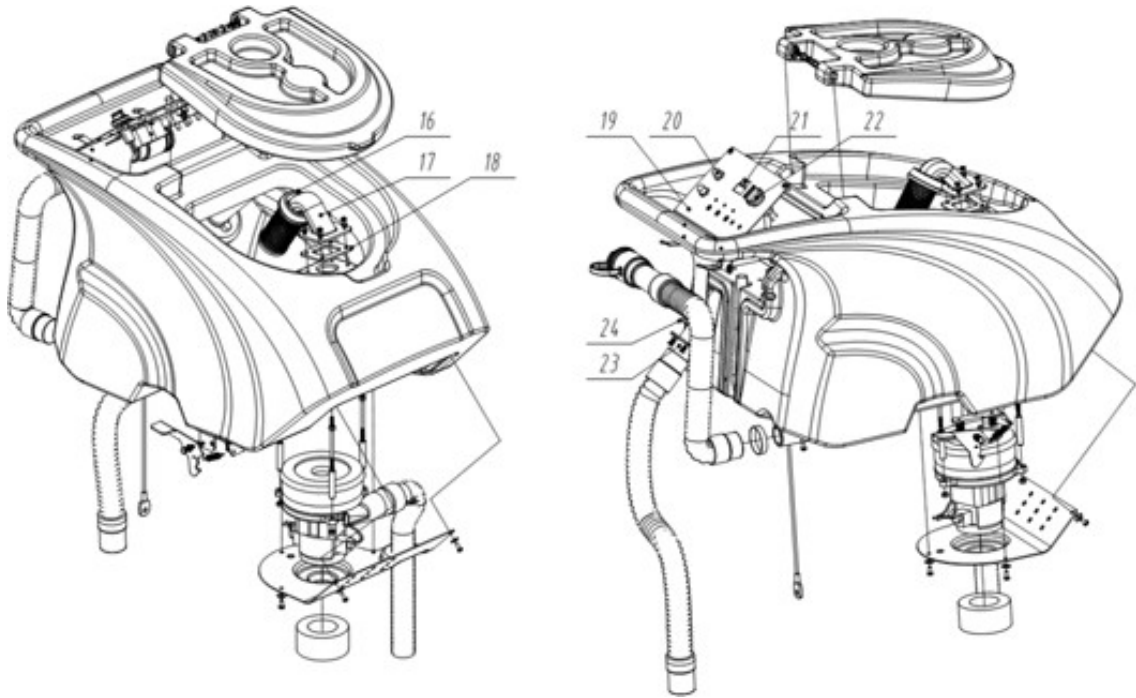
吸水扒部件/SQUEEGEE PARTS

吸水扒部件/SQUEEGEE PARTS

No.	MPN	零件名称	Part Name	QTY
3-1	6300505023000	后压条	Trim strip Rear	1
3-2	6300604009000	防撞轮	Anti-collision wheel	2
3-3	6202402016000	水扒架	Squeegee bracket	1
3-4	6203101031000	胶条限位板	Squeegee strip limit plate	1
3-5	6300501031000	后胶条	Squeegee stripRear	1
3-6	6300501032000	前胶条	Squeegee strip Front	1
3-7	2200600004000	胶木螺栓	Bakelite bolts	1
3-8	6300602011000	2 寸万向轮	Caster (2")	2
3-9	6300602026000	脚轮固定板	Glue wheel fixed plate	2
3-10	6200801023000	四星梅花螺母	Four star plum nut	4
3-11	6200801024000	四星梅花螺母	Four star plum nut	2

污水箱部件/SEWAGE TANK PARTS



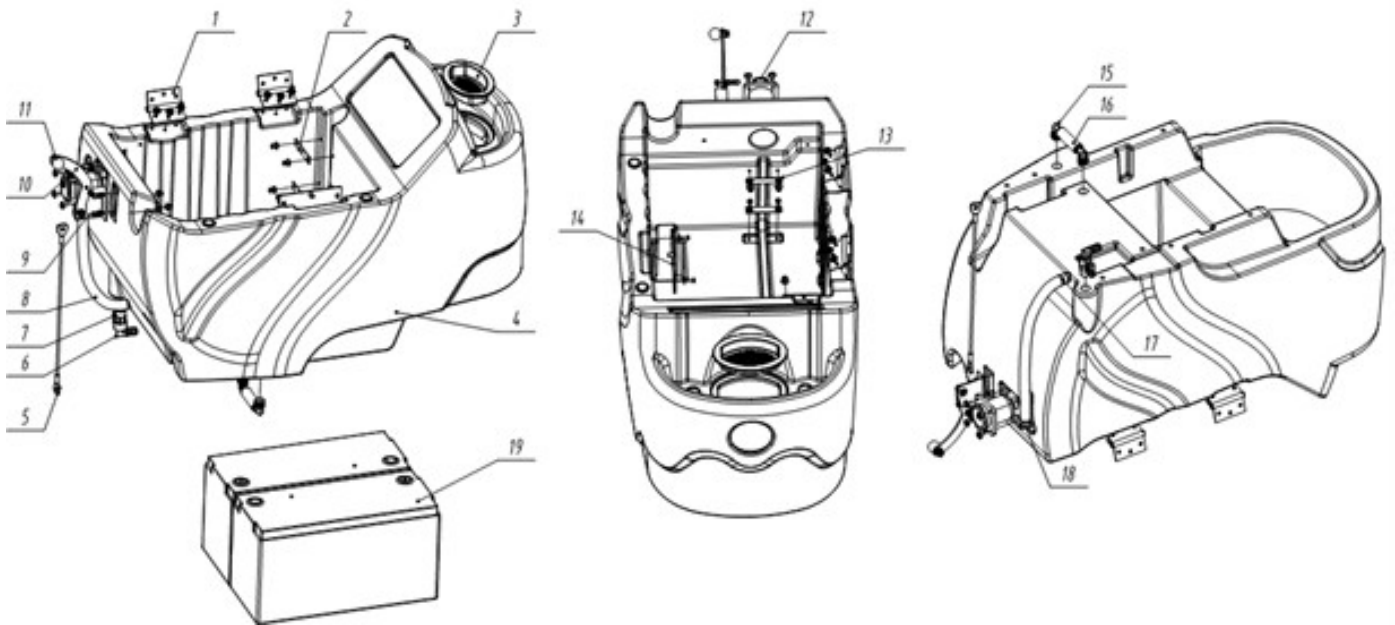


污水箱部件/SEWAGE TANK PARTS

No.	MPN	零件名称	Part Name	QTY
4-1	6300203015000	吸水管	Suction pipe	1
4-2	6500100005B10	提升拉绳	Lift rope	1
4-3	6300202005000	排污管	Sewage pipe	1
4-4	2201702010000	喉箍	Throat	1
4-5	6201201066000	压线板	Buckle board	1
4-6	6201608001000	消音管	Buffler tube	1
4-7	6300204007000	吸风电机出风管	Electric duct	1
4-8	6300102006A00	排气罩	Exhaust hood	1
4-9	6300802014000	污水箱	Sewage tank	2
4-10	6300701013000	污水箱盖	Sewage tank cover	1
4-11	6201606003A00	吸水电机限位管	Motor limiting pipe	3
4-12	6100303027000	动力控制电路线束	Power control wire harness	1
4-13	6907600001000	水箱卡扣配件 1	Water tank buckle accessories 1	3

4-14	6907600003000	水箱卡扣配件 2	Water tank buckle accessories 2	1
4-15	2200103072000	双头螺栓	Studs	3
4-16	6201001001000	浮球过滤网	Float filter	1
4-17	6300203003B10	吸水弯管	Suction pipe	1
4-18	6300302002B00	吸水弯管密封圈	Suction pipe seal	1
4-19	6300902056000	控制台面板	Console panel	1
4-20	1128700117000	自恢复保险	Self-recovery insurance	2
4-21	6300902055000	控制电路板	Control circuit board	1
4-22	6904501003000	双位胶柄电子锁	Electronic lock	1
4-23	6201607002000	吸水转接管	Suck water and take over	1
4-27	6300302007000	吸水转接管密封圈	Turn over the seal ring	1

清水箱部件/CLWAR WATER TANK PARTS



清水箱部件/CLWAR WATER TANK PARTS

No.	MPN	零件名称	Part Name	QTY
5-1	6200901001000	合页	Hinge	2
5-2	6202303006000	排气管扣片	Exhaust pressure plate	2
5-3	6301801001A00	清水过滤网	Water filter	1
5-4	6300801012000	清水箱	Clean water tank	1
5-5	6500100024000	提升拉绳	Lift rope	1
5-6	6200402017000	宝塔弯接头	Pagoda bend joint	1
5-7	6201103003000	球阀	Ball valve	1
5-8	6300206017000	水量刻度管	Water scale tube	1
5-9	6203101021000	水扒提升限位板	Squeegee lift limit plate	1
5-10	6202201003000	水扒提升拉手	Squeegee lift handle	1
5-11	6200601003000	转动手柄	Turn handle	1
5-12	6100301001B20	充电座连接线	Charging socket cable	1
5-13	6201201066000	压线板	Buckle board	2
5-14	6907600005000	水箱卡扣配件 3	Water tank buckle accessories 3	1
5-15	6200402017000	宝塔弯接头	Pagoda bend joint	2
5-16	6300206015000	硅胶软管	Silicone tube	1
5-17	2208503026000	喉箍	Throat hoop	1
5-18	2301100044000	弯接头	Bend joint	1
5-19	2100101081000	电池	Battery	2