

## Features

- Class I structure
- Rated input voltage: 100-120Vac/200-240Vac ~ 50/60Hz
- Compliant with EMC EN55035/55032 Class A conducted/ radiated emission requirements.
- Operating temperature up to 70°C
- Over-voltage Category: III
- Low standby power consumption, standby power consumption < 10W
- OVP/OLP/SCP protection.
- 3 years warranty



## Applications

Industrial control system, industrial equipment, power system, rail transportation, lighting system

## Model list

Model No.	Input Voltage	Power max.	Output Voltage	Output Current max.	Efficiency typ.	Ripple Voltage	Voltage ADJ.
DL-600W-V12-EXC	100-240Vac	600W	12Vdc	50A	90%	240mV	±10%
DL-600W-V15-EXC	100-240Vac	600W	15Vdc	40A	90%	240mV	±10%
DL-600W-V24-EXC	100-240Vac	600W	24Vdc	25A	91%	240mV	±10%
DL-600W-V36-EXC	100-240Vac	600W	36Vdc	16.67A	92%	360mV	±10%
DL-600W-V48-EXC	100-240Vac	600W	48Vdc	12.5A	92%	360mV	±10%

Remark:

1. The above parameters are tested under the following conditions: Ta = 25°C, 230Vac input, and after 30 minutes of full load operation.
2. Ripple and noise measurement method: use a 12" twisted-pair wire terminated with 0.1μF & 47μF parallel capacitor, and measured at 20MHz bandwidth.

## Input characteristics

Parameter	Min.	Typ.	Max.	Remark
Rated input voltage	100-120Vac 140Vdc	230Vac	200-240Vac 370Vdc	250-370Vdc (Switch to 230VAC)
Input voltage range	90Vac	-	264Vac	90~132Vac/180~264Vac On-off selection
Rated frequency	47Hz	50/60Hz	63Hz	-
Power factor	-	>0.5	-	100% load, 230Vac
T.H.D.	-	N/A	-	-
Input current/115Vac	-	-	11.47A	100% load, 115Vac
Input current/230Vac	-	-	5.24A	100% load, 230Vac
Inrush current/115Vac	-	-	33.33A	115Vac, cold start (25°C)
Inrush current/230Vac	-	-	80.33A	230Vac, cold start (25°C)
Leakage current	-	-	0.75mA	RMS Max.

## Output characteristics

Parameter	Min.	Typ.	Max.	Remark
Output tolerance	-1%	-	+1%	100% load
Line regulation	-1%	-	+1%	50-100% load @230Vac
Load regulation	-1%	-	+1%	50-100% load @230Vac
Setup/Rise Time	-	-/50ms	500ms/-	100% load
Hold up time	-	20ms	-	100% load

## Protection

Function	Description
Output overload protection	Protection mode: hiccup mode, recovers automatically after fault condition is removed.
Output short-circuit protection	Hiccup mode: recovers automatically after fault condition is removed
Output over current protection	It turns off when the output current is greater than 1.2 to 1.8 times
Output over voltage protection	Output voltage > working voltage 1.08-1.2times turn-off

## Environmental

Environmental Categories	Parameter
Rated working temperature	-40 ~ +50°C@100-240Vac
Max. operating temperature range	-40 ~ 70°C; When the operating temperature exceeds 50°C, the power will be reduced by 3% for per 1° C increase in temperature. please refer to the derating curve for details.
Working humidity	20 ~ 90% RH, non-condensing
Storage temperature, humidity	-30~+85°C, 10 ~ 90% RH non-condensing
Vibration	10 ~ 500Hz, 5G 12min/cycle, 72 min, each along X, Y, Z axes
MTBF	230Khrs min. MIL-HDBK-217F (Ta=25°C)
Lifetime	50000 hours@230Vac, @Ta≤40°C, please refer to "Lifetime/ Ambient temperature curve"

## Safety and EMC

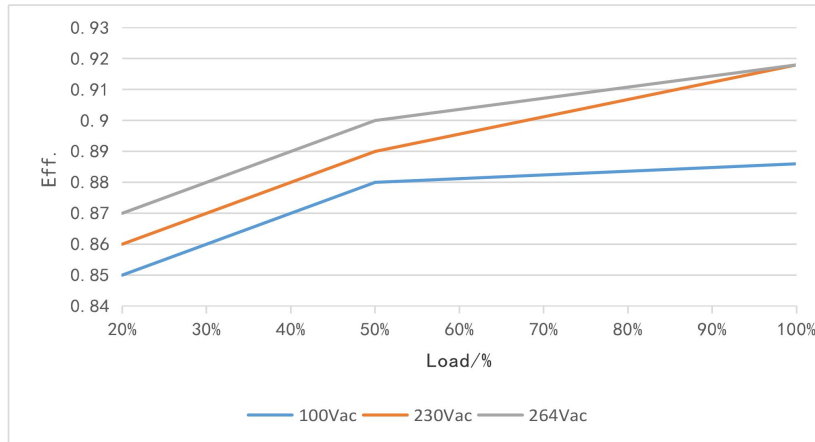
Safety categories	Standard
Safety	Compliance to UL62368-1, TUV BS EN/EN62368-1, BS EN/EN61558-1/-2-16,GB 4943.1
EMC	EMI BS EN/EN55032, EN55035, Class A
	ESD BS EN/EN 61000-4-2
	EFT/Burst BS EN/EN 61000-4-4
Surge protection	Differential mode L-N $\pm$ 2KV (2 $\Omega$ ), common mode L, N-G $\pm$ 4 KV (12 $\Omega$ ) Harmonic Current Refer to IEC61000-4-5 2014
Withstand voltage	I/P-O/P:4KVac I/P-PE :2KVac O/P-PE: 1.25KVac
Insulation resistance	I/P-PE:100M $\Omega$ / 500VDC; I/P-O/P:100M $\Omega$ / 500Vdc / 25°C/ 70% RH

Note: The power supply is considered a component which will be installed into the terminal equipment. The EMC is affected by the entire equipment. The terminal equipment must be reconfirmed to meet the EMC directives.

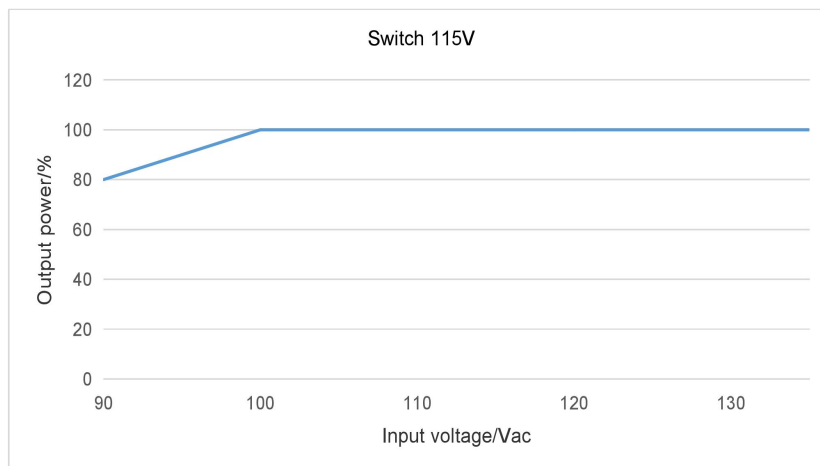


## Parametric curves

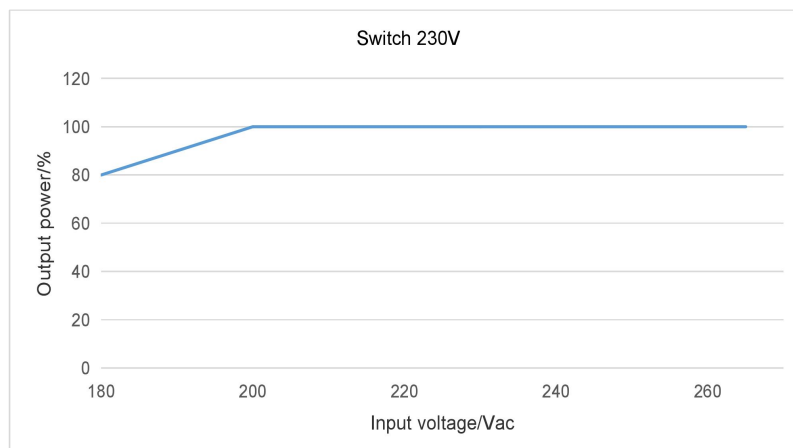
### Power/ Efficiency curve



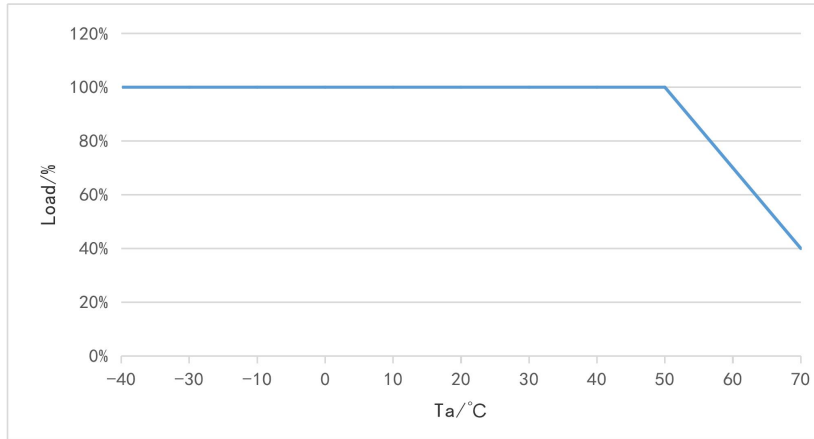
### Power/ Input voltage



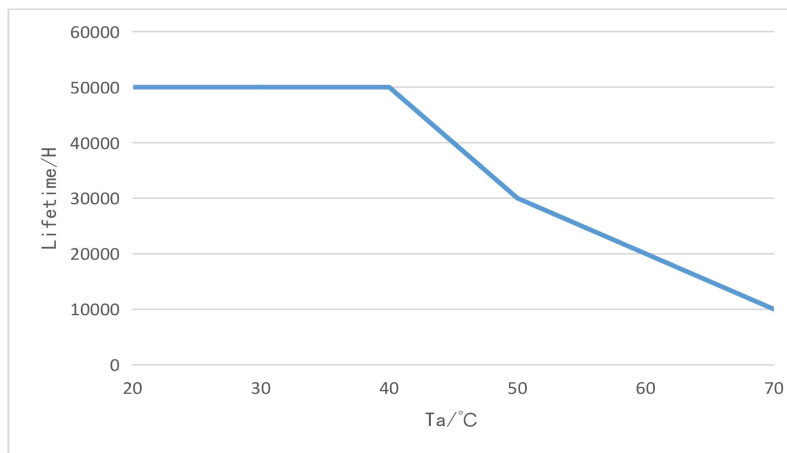
### Power/ Input voltage



Power/ Ambient temperature

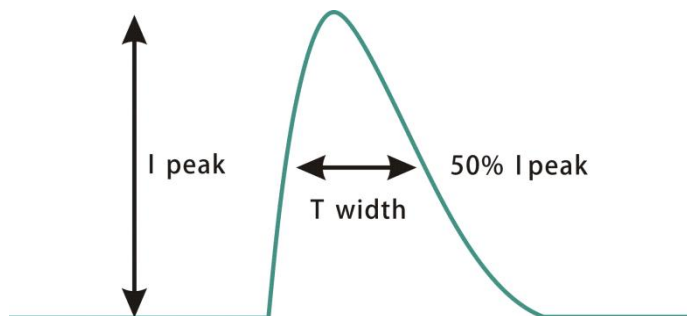


Lifetime/ Ambient temperature



Inrush current

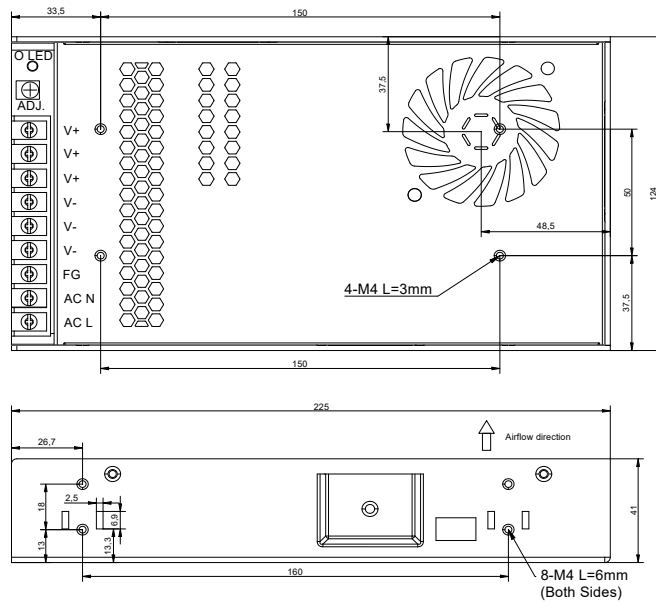
Input voltage	Peak current	T (@50% peak current)
100Vac	33.3A	1000us
230Vac	80.33A	650us
264Vac	100A	610us



## Mechanical specification

### Weight

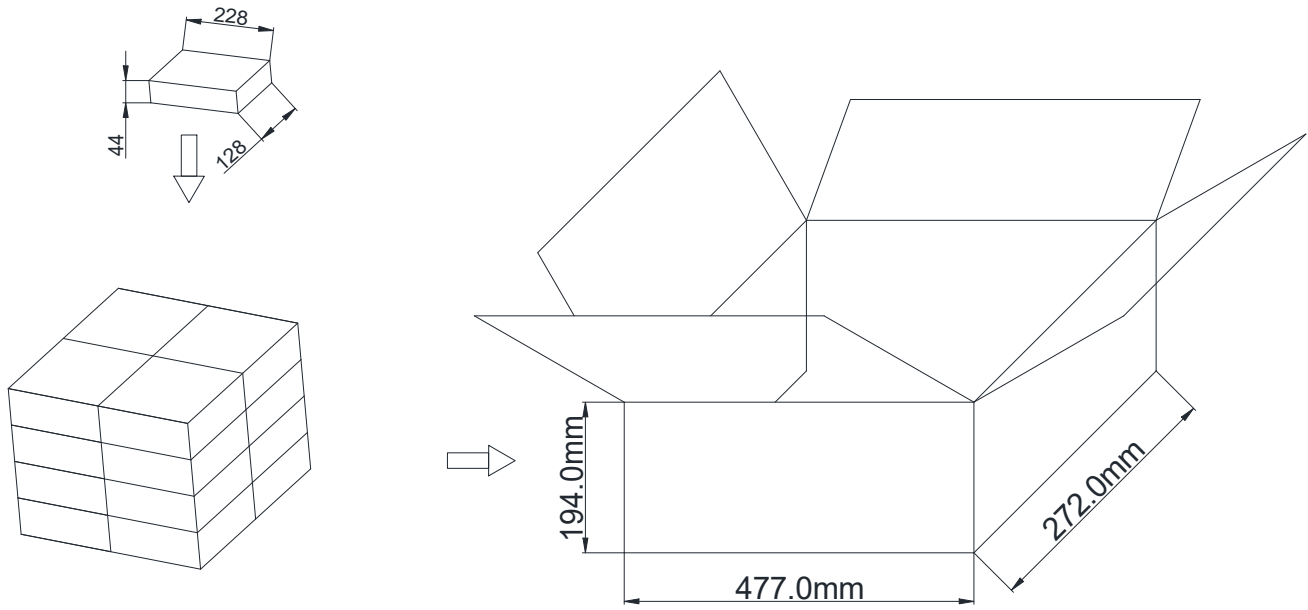
Size	L225mm*W124mm*H41mm
Weight	935g



## Packaging

packaging (mm)

L477mm\*W272mm\*H194mm



### NOTE:

1. Each box has 4 layers, with 4 pieces on each layer, totaling 16 pieces per box.
2. According to the certificates obtained by LED DRIVER, LED DRIVER with English labels are sold in Europe, America and India.
3. LED driver power supplies with Chinese labels are only for the Chinese market.