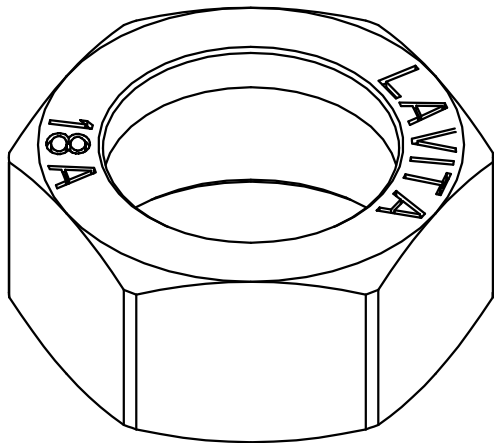
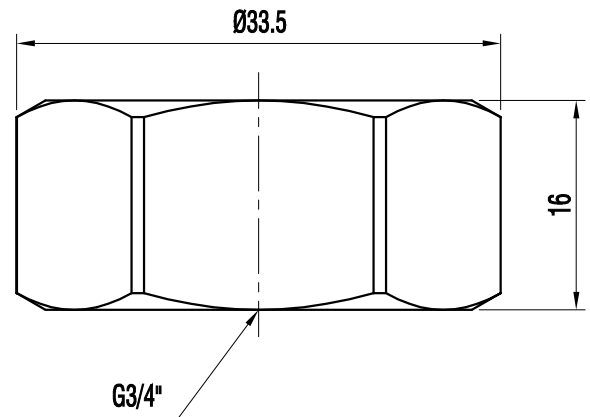
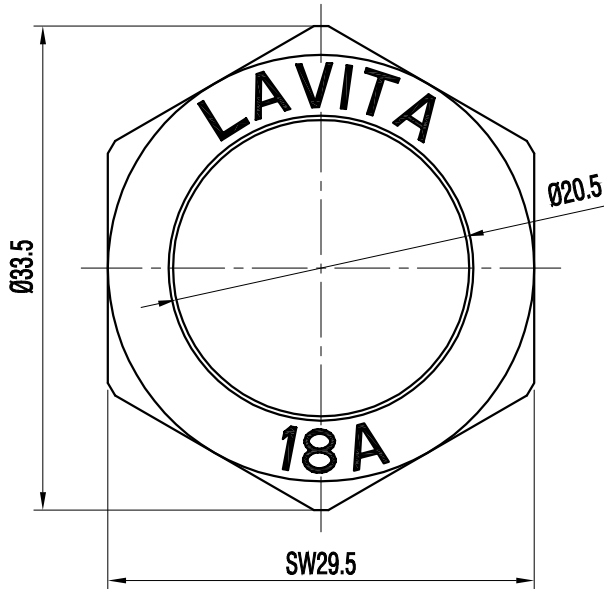



NO	DESCRIPTION	DATE	APPROVAL



DWG	CHK	DES	APP	DECIML	OVER	0.5	3.0	6.0	15	30	60	120	PROJECT	DIVISION
					UNDER	3.0	6.0	15	30	60	120	315		FITTING
					±	0.05	0.1	0.15	0.2	0.25	0.3	0.5		DWG TITLE
MATERIAL			SCALE	WEIGHT	ANGLE	OVER	0°	30°	50°	100°	NOTE			DWG NO
HPb57-3			2:1			UNDER	30°	50°	100°	120°				
						±	10'	20'	30'	1°				Nut 3/4"