



# P.I.T.<sup>®</sup>

Progressive Innovational Technology



PRODUCT PASSPORT  
USER'S MANUAL



ПАСПОРТ ИЗДЕЛИЯ  
ИНСТРУКЦИЯ ПОЛЬЗОВАТЕЛЯ

## Cordless Vacuum Cleaner Аккумуляторный Пылесос



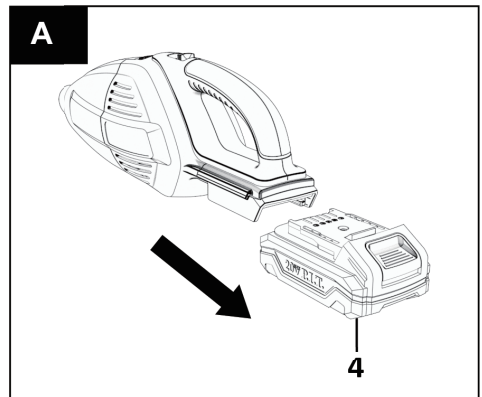
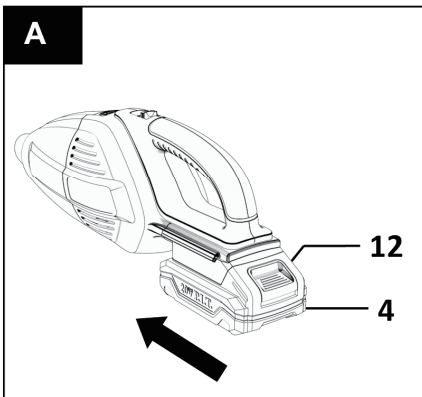
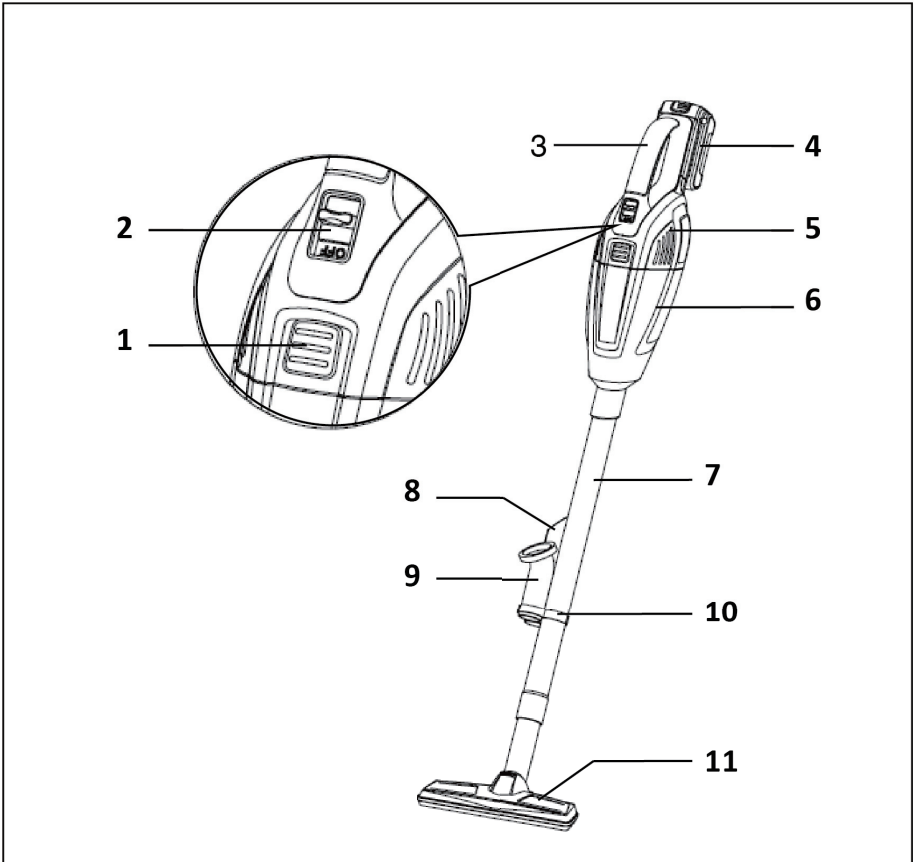
EAC

PVC20H-0.5A

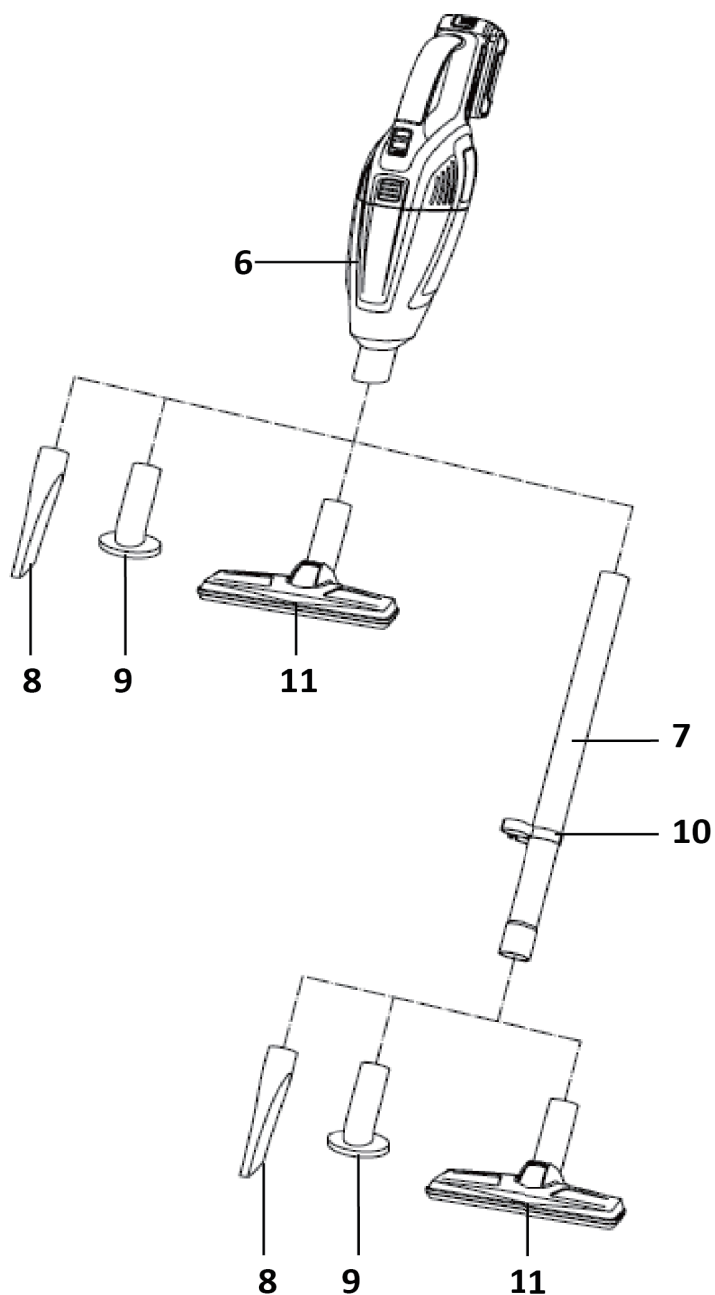
PROGRESSIVE INNOVATIONAL TECHNOLOGY

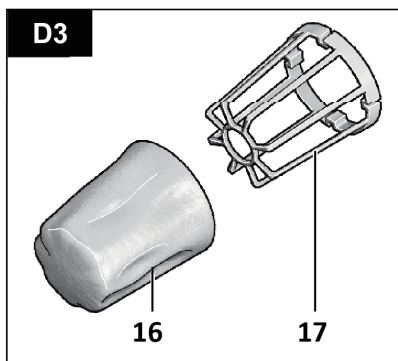
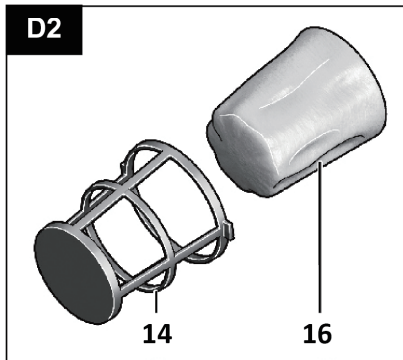
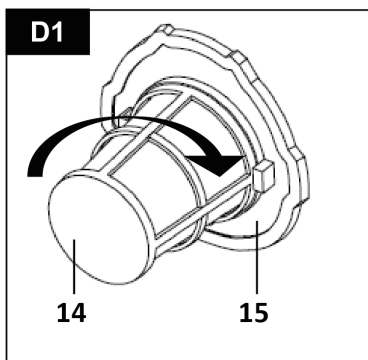
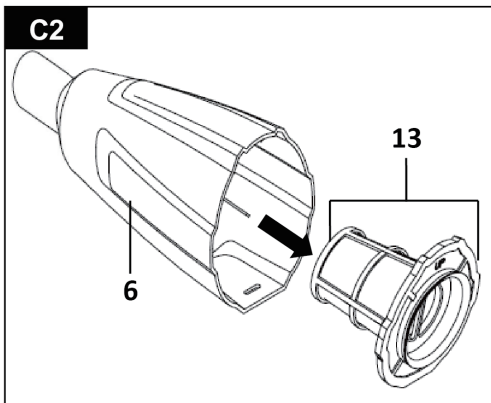
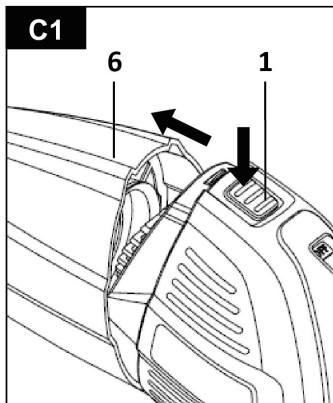
ПРОГРЕССИВНЫЕ ИННОВАЦИОННЫЕ ТЕХНОЛОГИИ





**B**





**English****Safety information for vacuum cleaners**** Read all the safety information and**

**instructions.** Failure to observe the safety information and follow instructions may result in electric shock, fire and/or serious injury.

**Save all warnings and instructions for future reference.**

▶ **This vacuum cleaner is not intended for use by children or persons with physical, sensory or mental impairments. It should not be used by persons who have insufficient experience and knowledge.** Otherwise, there is a risk of operating errors and injuries.

▶ **Supervise children.** This will ensure the children do not play with the vacuum cleaner.

**⚠ WARNING Do not vacuum any harmful substances, e.g. beech or oak wood dust, rock dust or asbestos.** These substances are considered carcinogenic. Make sure you inform yourself about the applicable regulations/laws on how to handle harmful types of dust in your country.

▶ **Only use the vacuum cleaner if you have been adequately informed about how to use it.** Thorough instruction on how to use the equipment prevents accidental misuse and injuries.

**⚠ WARNING The vacuum cleaner is only suitable for vacuuming dry substances.** The penetration of liquids increases the risk of an electric shock.

▶ **NOTE: The vacuum cleaner must only be used and stored indoors.** The penetration of rain or moisture into the top of the vacuum cleaner increases the risk of electric shock.

▶ **Ensure that the workplace is well ventilated.**

▶ **The vacuum cleaner should be repaired exclusively by a qualified professional using only genuine spare parts.** This will ensure that the safety of the vacuum cleaner is maintained.

▶ **Before using the equipment for the first time, check that the vacuum hose is in perfect condition. Leave the vacuum hose fitted to the vacuum cleaner while doing this so that no dust escapes accidentally.** Otherwise, you may end up inhaling dust particles.

▶ **Do not clean the vacuum cleaner by spraying a jet of water directly at it.** Water entering the top of the vacuum cleaner will increase the risk of electric shock.

▶ **In case of damage and improper use of the battery, vapours may be emitted.** Ensure the area is well-ventilated and seek medical attention should you experience any adverse effects. The vapours may irritate the respiratory system.

▶ **If used incorrectly, liquid may be ejected from the battery; avoid contact. If contact accidentally occurs, rinse off with water. If the liquid comes into contact with your eyes, seek additional medical attention.** Liquid ejected from the battery may cause irritation or burns.

▶ **The battery can be damaged by pointed objects such as nails or screwdrivers or by force applied externally.** An internal short circuit may occur, causing the battery to burn, smoke, explode or overheat.

▶ **When the battery is not in use, keep it away from paper clips, coins, keys, nails, screws or other small metal objects that could make a connection from one terminal to another.** A short circuit between the battery terminals may cause burns or a fire.

▶ **Do not open the battery.** There is a risk of short-circuiting.



**Protect the battery against heat, e.g. against continuous intense sunlight, fire, water, and moisture.** There is a risk of explosion.

▶ **Only use the battery with products from the manufacturer.** This is the only way in which you can protect the battery against dangerous overload.

▶ **Do not vacuum hot or burning dust or in potentially explosive areas.** Dust can easily ignite or explode.

**Product description and specifications****Intended use**

The vacuum cleaner is intended for vacuuming dry materials that are not harmful to health.

The vacuum cleaner is intended only for household and domestic use.

- 1 Release button for dust cup
- 2 On/Off switch
- 3 Soft grip
- 4 Battery pack

- 5 Motor housing
- 6 Dust cup
- 7 Extension tube
- 8 Crevice nozzle
- 9 Brushnozzle
- 10 Holder for crevice nozzle/brush nozzle
- 11 Floor nozzle
- 12 Battery unlocking button
- 13 Filter assembly
- 14 Filter cover
- 15 Filter seal
- 16 Fabric filter
- 17 Filter basket

**Technical Data**

Model	PVC20H-0.5A
Voltage	DC 20V
Container volume	500mL
Max.Vacuum	≥3.8KPa
Max.Flow	1.2 m <sup>3</sup> /min
Weight	1.65kg
Compatible battery (availability varies by package)	PH20-2.0 (2Ah) PH20-3.0 (3Ah) PH20-4.0 (4Ah) PH20-5.0 (5Ah) PH20-6.0 (6Ah)
Compatible charger (availability varies by package)	PH20-2.4A PH20-3.0A

**Note**

Since the product is constantly being improved, P.I.T. reserves the right to make changes to the specifications and product specifications specified here without prior notice.

**Fitting**

**Charging the battery**

- ▶ **Use only the chargers listed on the accessories page.** Only these chargers are compatible with the lithium-ion battery in your vacuum cleaner.

**Note:** The battery is supplied partially charged. To ensure full battery capacity, fully charge the battery in the charger before using your power tool for the first time.

The lithium-ion battery can be charged at any time without reducing its service life. Interrupting the charging process does not damage the battery.

The lithium-ion battery is protected against deep discharge by the Electronic Cell Protection (ECP). A protective circuit switches the cordless dust extractor off when the battery is drained.

The battery must be removed from the vacuum cleaner to charge it.

- ▶ **Do not continue to press the on/off button after the vacuum cleaner has automatically switched itself off.** This can damage the battery.

The battery features NTC temperature control, which only permits charging in a temperature range between 0 °C and 45 °C. This achieves a long battery life.

A significantly reduced operating time after charging indicates that the battery has deteriorated and must be replaced. Follow the instructions on correct disposal.

**Inserting and Removing the Battery (see figures A1 – A2)**

- ▶ **Do not use force to insert the battery.** The battery is designed in such a way that it can only be inserted into the vacuum cleaner when it is in the right position.
  - Insert the charged battery into the vacuum cleaner until you feel it engage and it is securely locked in place.
  - To remove the battery, press the release button on the battery and pull it out of the vacuum cleaner as shown in the image. Do not use force to do this.

**Fitting the vacuum cleaner accessories (see figure B)**

- ▶ **Remove the battery before cleaning or performing maintenance on the dust extractor, making tool adjustments, changing accessories or placing the dust extractor in storage.** This safety measure prevents the dust extractor from being started accidentally.

The vacuum cleaner accessories can be directly connected with the dust container.

See the illustration for the different ways of combining the vacuum cleaner accessories.

- Insert the individual vacuum cleaner accessories firmly into the connection on the dust container and into one another.

**Operation**

- ▶ **Remove the battery before cleaning or performing maintenance on the dust extractor, making tool adjustments, changing accessories or placing the dust extractor in storage.** This safety measure prevents the dust extractor from being started accidentally.

**Start-up**

- ▶ **Before extraction, ensure that the filter unit is securely fitted.**
- ▶ **Do not use damaged filters (e.g. no cracks, small holes, etc.). Replace any**

**damaged filters immediately.**

### Switching on/off

- To switch on the vacuum cleaner, press the on/off button.
- To switch off the vacuum cleaner, press the on/off button again.

## Maintenance and Servicing

### Maintenance and cleaning

- ▶ **Remove the battery before cleaning or performing maintenance on the dust extractor, making tool adjustments, changing accessories or placing the dust extractor in storage.** This safety measure prevents the dust extractor from being started accidentally.
- ▶ **To ensure safe and efficient operation, always keep the dust extractor and the ventilation slots clean.**

- Clean the housing of the vacuum cleaner occasionally with a damp cloth.
- Clean dirty charging contacts using a dry cloth.

### Cleaning the Dust Container (see figures C1–C2)

Clean the dust container after each use in order to ensure that the vacuum cleaner continues to perform optimally.

- Hold the vacuum cleaner down slightly so that dust cannot fall out of the dust container when the vacuum cleaner is opened.
- Press the release button and remove the dust container from the motor housing.
- Shake out the dust container over a suitable waste bin.

- If necessary, clean the filters.
- Then fit the dust container into the bottom of the motor housing and apply light pressure to the dust container until you hear it click into place.

### Cleaning the Filter Assembly (see figures D1–D3)

- Press release button and remove the dust cup 6 from the motor housing.

Remove the filter assembly from the dust cup.

- Remove the filter cover from the filter seal.
- Remove the fabric filter along with its filter basket and brush down the fabric filter with a soft brush.

– If necessary, you can wet clean the fabric filter:

Remove the fabric filter 16 from the filter basket and wash both parts under running water. Then squeeze out the fabric filter 16 and allow the fabric filter and filter basket to dry well in order to avoid the formation of mould.

– Assembly is carried out in reverse order.

## Storage

- Put the vacuum cleaner accessories in the provided holder on the vacuum cleaner.

### Malfunctions

In the case of insufficient vacuuming performance, check the following:

- Is the dust cup full?  
Cleaning the Dust Cup.
- Is the fabric filter clogged with dust?  
Cleaning the Filter Assembly.
- Is the capacity of the battery pack too low?  
Battery Charging.

Regular emptying of the dust cup 6 and cleaning of the filter assembly ensures optimal vacuum capacity.

If the vacuuming performance is not achieved thereafter, take the vacuum cleaner to customer service.

## Dispose of waste



Damaged power tools, batteries, accessories and waste packaging materials must be recycled and reused in an environmentally friendly manner.

Do not throw power tools and accumulators / batteries into general household waste!

## Product serial number interpretation serial number

No.

17 07 30 0395

Year month day

The first and second digits of the product serial number from left to right

Year of production, the third and fourth digits indicate the month of production, the

The fifth and sixth digits indicate the production day.

## TERMS OF WARRANTY SERVICE

1. This Warranty Certificate is the only document that confirms your right to free warranty service. Without presenting this certificate, no claims are accepted. In case of loss or damage, the warranty certificate is not restored.

2. The warranty period for the electric machine is 12 months from the date of sale, during the warranty period the service department eliminates manufacturing defects and replaces parts that have failed due to the fault of the manufacturer free of charge. In the war-

warranty repair, an equivalent operable product is not provided. Replaceable parts become property of service providers.

P.I.T is not liable for any damage that may be caused by operation of the electric machine.

3. Only clean tool accompanied with the following duly executed documents: this Warranty Certificate, Warranty Card, with all fields filled out, bearing the stamp of the trade organization and the signature of the buyer, shall be accepted for warranty repair.

4. Warranty repair is not performed in the following cases:

- in the absence of a Warranty Certificate and a Warranty Card or their incorrect execution;
- with failure of both a rotor and a stator of the electric engine, charring or melting of primary winding of the welding machine transformer, charging or starting-charging device, with internal parts melting, burn down of electronic circuit boards;
- if a Warranty Certificate or a Warranty Card does not correspond to this electric machine or to the form established by the supplier;
- upon expiration of the warranty period;
- at attempts of opening or repair of the electric machine outside the warranty workshop; making constructive changes and lubrication of the tool during the warranty period, as evidenced, for example, by the creases on the spline parts of the fasteners of non-rotational parts.
- when using electric tools for production or other purposes connected with making a profit, as well as in case of malfunctions related to instability of the power network parameters exceeding the norms established by GOST;
- in the events of improper operation (use the electric machine for other than intended purposes, attachments to the electric machine of attachments, accessories, etc. not provided by the manufacturer);
- with mechanical damage to the case, power cord and in case of damages caused by aggressive agents and high and low temperatures, ingress of foreign objects in the ventilation grids of the electric machine, as well as in case of damage resulting from improper storage (corrosion of metal parts);
- natural wear and tear on the parts of the electric machine, as a result of long-term operation (determined on the basis of the signs of full or partial depletion of the specified mean life, great contamination, presence of rust outside and inside the electric machine, waste lubricant in the gearbox);

- use of the tool the purposes for other than specified in the operating instructions.

- mechanical damages to the tool;

- in the event of damages due to non-observance of the operating conditions specified in the instruction (see chapter "Safety Precautions" of the Manual).

- damage to the product due to non-observance of the rules of storage and transportation.

Preventive maintenance of electric machines (cleaning, washing, lubrication, replacement of anthers, piston and sealing rings) during the warranty period is a paid service.

The service life of the product is determined by the manufacturer and is 2 years from the date of manufacture.

The owner is notified of any possible violations of the above terms of warranty service upon completion of diagnostics in the service center.

The owner of the tool entrusts the diagnostic procedure to be conducted in the service center in his absence.

Do not operate the electric machine when there are signs of excessive heat, sparking, or noise in the gearbox. To determine the cause of the malfunction, the buyer should contact the warranty service center.

Malfunctions caused by late replacement of carbon brushes of the engine are eliminated at the expense of the buyer.

5. The warranty does not cover:

- replacement accessories (accessories and components), for example: batteries, discs, blades, drill bits, borers, chucks, chains, sprockets, collet clamps, guide rails, tension and fastening elements, trimming device heads, base of grinding and belt sander machines, hexagonal heads, etc.,
- fast wearing parts, for example: carbon brushes, drive belts, seals, protective covers, guiding rollers, guides, rubber seals, bearings, toothed belts and wheels, shanks, brake belts, starter ratchets and ropes, piston rings, etc. Their replacement during the warranty period is a paid service;
- power cords, in case of damage to the insulation, power cords are subject to mandatory replacement without the consent of the owner (paid service);
- tool case.



**Русский**

Указания по технике безопасности для пылесосов



**Прочтите все указания и инструкции по технике безопасности.**

Несоблюдение указаний по технике безопасности и инструкций может привести к поражению электрическим током, пожару и/или тяжелым травмам.

Сохраняйте эти инструкции и указания для будущего использования.

► **Этот пылесос не рассчитан на использование детьми или лицами с ограниченными физическими, сенсорными или умственными способностями или недостаточным опытом и знаниями.** Иначе существует опасность неправильного использования или получения травм.

► **Не оставляйте детей без присмотра.** Дети не должны играть с пылесосом.

**⚠ ПРЕДУПРЕЖДЕНИЕ** Не собирайте вредные для здоровья материалы, например, древесную пыль бука или дуба, пыль горных пород, асбест. Эти вещества являются канцерогенными. Ознакомьтесь с действующими в Вашей стране положениями/законами относительно обращения с вредной для здоровья пылью.

► **Используйте пылесос только в том случае, если Вы получили достаточно информации об использовании.** Тщательный инструктаж снижает риск неправильной эксплуатации и травм.

**⚠ ПРЕДУПРЕЖДЕНИЕ** Пылесос предназначен только для всасывания сухих материалов. Проникновение воды внутрь электроинструмента увеличивает риск поражения электротоком.

► **ВНИМАНИЕ!** Используйте и храните пылесос только в помещениях. Попадание дождевой воды или влаги в пылесос повышает риск удара электрическим током.

► **Обеспечивайте хорошую вентиляцию на рабочем месте!**

► **Ремонт пылесоса разрешается выполнять только квалифицированному персоналу и только с использованием оригинальных запчастей.** Этим обеспечивается безопасность пылесоса.

► **Перед эксплуатацией проверяйте безупречное состояние шланга отса-**

сывания. Оставляйте при этом шланг отсасывания подключенным к пылесосу, чтобы пыль случайно не высыпалась. Иначе Вы можете вдохнуть пыль.

► **Не очищайте пылесос под прямой струей воды.** Проникновение воды в крышку пылесоса увеличивает риск удара электрическим током.


► **При повреждении и ненадлежащем использовании аккумулятора может выделиться газ.** Обеспечьте приток свежего воздуха и при возникновении жалоб обратитесь к врачу. Газы могут вызвать раздражение дыхательных путей.

► **При неправильном использовании из аккумулятора может потечь жидкость.** Избегайте соприкосновения с ней. При случайном контакте промойте соответствующее место водой. Если эта жидкость попадет в глаза, то дополнительно обратитесь за помощью к врачу. Вытекающая аккумуляторная жидкость может привести к раздражению кожи или к ожогам.

► **Острыми предметами, как напр., гвоздем или отверткой, а также внешним силовым воздействием можно повредить аккумуляторную батарею.** Это может привести к внутреннему короткому замыканию, возгоранию с задымлением, взрыву или перегреву аккумуляторной батареи.

► **Защищайте неиспользуемый аккумулятор от канцелярских скрепок, монет, ключей, гвоздей, винтов и других маленьких металлических предметов, которые могут закоротить полюса.** Короткое замыкание полюсов аккумулятора может привести к ожогам или пожару.

► **Не вскрывайте аккумулятор.** При этом возникает опасность короткого замыкания.

 **Защищайте аккумуляторную батарею от высоких температур, напр., от длительного нагревания на солнце, от огня, воды и влаги.** Существует опасность взрыва.

► **Используйте аккумуляторную батарею только в изделиях изготовителя.** Только так аккумулятор защищен от опасной перегрузки.

► **Не собирайте горячую или горящую**

пыль и не работайте во взрывоопасных помещениях. Пыль может воспламениться или взрываться.

### Описание продукта и услуг

Применение по назначению

Пылесос предназначен для засасывания/собираения не опасных для здоровья сухих материалов.

Пылесос предназначен исключительно только для использования в домашнем хозяйстве.

- 1 Кнопка освобождения пылесборника
- 2 Переключатель включения / выключения
- 3 Прорезиненная рукоятка
- 4 Аккумулятор
- 5 Корпус двигателя
- 6 Пылесборник
- 7 Удлинительная трубка
- 8 Щелевая насадка
- 9 Щеточная насадка
- 10 Держатель для щелевой насадки / насадки-щетки
- 11 Насадка для пола
- 12 Кнопка разблокировки аккумулятора
- 13 Фильтр в сборе
- 14 Крышка фильтра
- 15 Уплотнение фильтра
- 16 Тканевый фильтр
- 17 Корзина фильтра

### Технические данные

Модель	PVC20H-0.5A
Напряжение	DC 20 В
Объем контейнера	500 мл
Макс. Разрежение	≥3,8 кПа
Макс. пропускная способность	1.2 м³ / мин
Вес	1,65 кг
Совместимая аккумуляторная батарея (наличие зависит от комплекта поставки)	PH20-2.0 (2Ач) PH20-3.0 (3Ач) PH20-4.0 (4Ач) PH20-5.0 (5Ач) PH20-6.0 (6Ач)
Совместимое зарядное устройство (наличие зависит от комплекта поставки)	PH20-2.4A PH20-3.0A

### Примечание

Так как изделие постоянно совершенствуется, P.I.T. оставляет за собой право на внесение изменений в указанные здесь технические характеристики и комплектацию изделия без предварительного уведомления.

### Сборка

### Зарядка аккумулятора

► **Применяйте только перечисленные на странице принадлежности зарядные устройства.** Только эти зарядные устройства пригодны для литий-ионного аккумулятора данного пылесоса.

**Указание:** Аккумуляторная батарея поставляется в частично заряженном состоянии. Для обеспечения полной мощности аккумулятора зарядите его полностью перед первым применением.

Литий-ионный аккумулятор может быть заряжен в любое время без сокращения срока службы. Прекращение процесса зарядки не наносит вреда аккумулятору.

Литиево-ионная аккумуляторная батарея защищена от глубокой разрядки системой Electronic Cell Protection (ECP). При разряженной аккумуляторной батарее аккумуляторный пылесос выключается благодаря схеме защиты.

Для зарядки аккумуляторную батарею нужно извлечь из пылесоса.

► **После автоматического отключения пылесоса больше не удерживайте выключатель нажатым.** Аккумулятор может быть поврежден.

Для контроля температуры аккумулятор оснащен терморезистором, который позволяет производить зарядку только в температурном диапазоне от 0 °C до 45 °C. Это повышает срок службы аккумуляторной батареи.

Значительное сокращение продолжительности работы после заряда свидетельствует о старении аккумулятора и указывает на необходимость его замены.

Учитывайте указания по утилизации.

### Индикатор заряженности аккумуляторной батареи

Индикатор заряженности аккумуляторной батареи, состоящий из зеленых светодиодов, при полностью нажатом выключателе отображает на протяжении нескольких секунд уровень заряженности аккумуляторной батареи.

### Установка и снятие аккумулятора

► **При установке аккумуляторной батареи не применяйте силу.** Аккумуляторная батарея устроена таким образом, что она становится в пылесос только в правильном положении.

– Установите заряженную аккумуляторную батарею в пылесос так, чтобы она отчетливо вошла в зацепление и надежно зафиксировалась.

– Для извлечения аккумулятора нажмите на кнопку разблокировки на аккумуляторе и извлеките его, как показано на рисунке, из пылесоса. **Не применяйте при этом силы.**

**Монтаж принадлежностей для всасывания**

► **Перед работами по техобслуживанию и очистке пылесоса, его настройкой, заменой принадлежностей или хранением извлекайте аккумуляторную батарею.** Эта мера предосторожности предотвращает непреднамеренное включение пылесоса.

Всасывающие принадлежности можно вставлять непосредственно в контейнер для пыли.

Возможности комбинирования различных всасывающих принадлежностей см. на рисунке.

– Плотно вставляйте всасывающие принадлежности в патрубок на контейнере для пыли и друг в друга.

**Работа с инструментом**

и Перед работами по техобслуживанию и очистке пылесоса, его настройкой, заменой принадлежностей или хранением извлекайте аккумуляторную батарею. Эта мера предосторожности предотвращает непреднамеренное включение пылесоса.

**Включение электроинструмента**

► **Перед работой с пылесосом убедитесь, что фильтр монтирован надежно.**

► **Используйте только фильтры, не имеющие повреждений (трещин, дырок и пр.). В случае повреждения немедленно замените фильтр.**

**Включение/выключение**

– Чтобы включить пылесос, нажмите на выключатель.

– Чтобы выключить пылесос, еще раз нажмите на выключатель.

**Техобслуживание и сервис**

**Техобслуживание и очистка**

► **Перед работами по техобслуживанию и очистке пылесоса, его настройкой, заменой принадлежностей или хранением извлекайте аккумуляторную батарею.** Эта мера предосторожности предотвращает непреднамеренное включение пылесоса.

► **Для обеспечения качественной и безопасной работы содержите пылесос и вентиляционные прорези в чистоте.**

– Время от времени протирайте корпус пылесоса влажной тряпкой.

– Протирайте загрязненные зарядные контакты сухой тряпкой.

**Очистка контейнера для пыли**

Очищайте контейнер для пыли после каждого пользования для поддержания оптимальной производительности пылесоса.

– Слегка опустите пылесос, чтобы при открытии пылесоса из пылевой камеры не сыпалась пыль.

– Нажмите на кнопку разблокировки и снимите контейнер для пыли с корпуса двигателя.

– Вытряхните контейнер для пыли над подходящим мусорным баком.

– При необходимости очистите фильтр .

– После этого установите контейнер для пыли снизу в корпус двигателя и слегка нажмите на контейнер для пыли, чтобы он вошел в зацепление со щелчком.

**Очистка фильтра**

Фильтр тонкой пыли нельзя подвергать влажной очистке.

– Слегка опустите пылесос, чтобы при открытии пылесоса из пылевой камеры не сыпалась пыль.

– Нажмите на кнопку разблокировки и снимите контейнер для пыли с корпуса двигателя.

– Очистите фильтр грубой очистки щеткой.

– Снимите фильтр за перемычку корпуса с корпуса двигателя.

– Извлеките фильтр тонкой пыли из фильтра грубой очистки.

– Слегка сожмите фильтр тонкой пыли с длинных боков и осторожно выбейте его над подходящим мусорным баком.

При необходимости прочистите пластины фильтра тонкой пыли мягкой щеткой.

– Сборка производится в обратной последовательности.

**Неисправности**

При недостаточной производительности всасывания проверьте:

– Контейнер для пыли полон?

Очистка контейнера для пыли .

– Фильтры забились пылью?

Очистка фильтра.

– Заряд аккумулятора слишком низкий?

Зарядка аккумулятора.

Регулярное опорожнение контейнера для пыли и очистка фильтра гарантируют оптимальную мощность всасывания.

Если после этого производительность вса-

сывания не повысится, то пылесос следует сдать в сервисную мастерскую.

## Утилизация



Отслужившие свой срок электро-

инструменты, принадлежности и упаковку следует сдавать на экологически чистую переработку отходов.

Утилизируйте электроинструмент отдельно от бытового мусора!

## РАСШИФРОВКА ДАТЫ ИЗГОТОВЛЕНИЯ ИЗДЕЛИЯ

№. 

1	7	0	7	3	0	0	3	9	5
---	---	---	---	---	---	---	---	---	---

↑            ↑            ↑  
год    месяц    день

Дата изготовления изделия зашифрована в серийном номере, напечатанном на корпусе инструмента. Первые 2 цифры обозначают год выпуска, следующие 2 цифры – месяц и следующие 2 цифры - день.

## Хранение и транспортировка

► Установленный срок хранения машины составляет 2 года.

► Во время установленного срока хранения машину при температуре окружающей среды от 0°C до плюс 40°C и относительной влажности воздуха не более 80%.

► Транспортировку машины осуществляйте только в фирменной упаковке.

► Перед упаковкой снимите рабочий инструмент, сверните и зафиксируйте шнур.

## УСЛОВИЯ ГАРАНТИЙНОГО ОБСЛУЖИВАНИЯ

1. Настоящее гарантийное свидетельство является единственным документом, подтверждающим ваше право на бесплатное гарантийное обслуживание. Без предъявления данного свидетельства претензии не принимаются. В случае утери или порчи гарантийного свидетельства не восстанавливается.

2. Гарантийный срок на электроинструмент, а также зарядные устройства и аккумуляторные батареи серии OnePower составляет 12 месяцев со дня продажи, в течение гарантийного срока сервисная служба бесплатно устраняет производственные дефекты и производит замену деталей, вышедших из строя по вине изготовителя. На период гарантийного ремонта эквивалентный исправный инструмент не предоставляется. Заменяемые детали переходят

в собственность служб сервиса.

Компания P.I.T. не несет ответственности за вред, который может быть причинен при работе с электроинструментом.

3. В гарантийный ремонт инструмент принимается в чистом виде, при обязательном наличии надлежащим образом оформленных документов: настоящего гарантийного свидетельства, гарантийного талона, с полностью заполненными полями, штампом торговой организации и подписью покупателя.

4. Гарантийный ремонт не производится в следующих случаях:

- при отсутствии гарантийного свидетельства и гарантийного талона или неправильном их оформлении;

- при совместном выходе из строя якоря и статора электродвигателя, при обугливаниях или оплавлении первичной обмотки трансформатора сварочного аппарата, зарядного или пускозарядного устройства, при оплавлении внутренних деталей, прожиге электронных плат;

- если гарантийное свидетельство или талон не принадлежат данному электроинструменту или не соответствует установленному поставщиком образцу;

- по истечении срока гарантии;

- при попытках самостоятельного вскрытия или ремонта электроинструмента вне гарантийной мастерской;

- внесения конструктивных изменений и смазки инструмента в гарантийный период, о чем свидетельствуют, например, заломы на шлицевых частях крепежа корпусных деталей.

- при использовании электроинструмента в производственных или иных целях, связанных с получением прибыли, а также при возникновении неисправностей связанных с нестабильностью параметров электросети, превышающих нормы, установленные ГОСТ;

- при неправильной эксплуатации (использование электроинструмента не по назначению, установки на электроинструмент не предназначенных заводом изготовителем насадок, дополнительных приспособлений и т.п.;

- при механических повреждениях корпуса, сетевого шнура и при повреждениях, вызванных воздействиями агрессивных средств и высокими и низкими температур, попадании инородных предметов в вентиляционные решетки электроинструмента, а также при повреждениях, наступивших в результате неправильного хранения (коррозия металлических частей);

- при естественном износе деталей электроинструмента, в результате длительной эксплуатации (определяется по признакам полной или частичной выработки ресурса, сильного загрязнения, ржавчины снаружи и внутри электроинструмента, отработанной смазки в редукторе);

- использование инструмента не по назначению, указанному в инструкции по эксплуатации.

- при механических повреждениях инструмента;

- при возникновении повреждений в связи с несоблюдением предусмотренных инструкцией условий эксплуатации (см. главу «Указание по технике безопасности» в инструкции).

- повреждение изделия вследствие несоблюдения правил хранения и транспортировки.

Профилактическое обслуживание электроинструмента (чистка, промывка, смазка, замена пыльников, поршневых и уплотнительных колец) в гарантийный период является платной услугой.

Срок службы изделия установлен изготовителем и составляет 2 года со дня изготовления.

О возможных нарушениях, изложенных выше условий гарантийного обслуживания, владельцу сообщается после проведения диагностики в сервисном центре.

Владелец инструмента доверяет проведение диагностики в сервисном центре в свое отсутствие.

Запрещается эксплуатация электроинструмента при проявлении признаков повышенного нагрева, искрения, а также шума в редукторной части. Для выяснения причин неисправности покупателю следует обратиться в гарантийную мастерскую.

Неисправности, вызванные несвоевременной заменой угольных щеток двигателя, устраняются за счет покупателя.

5. Гарантия не распространяется на:

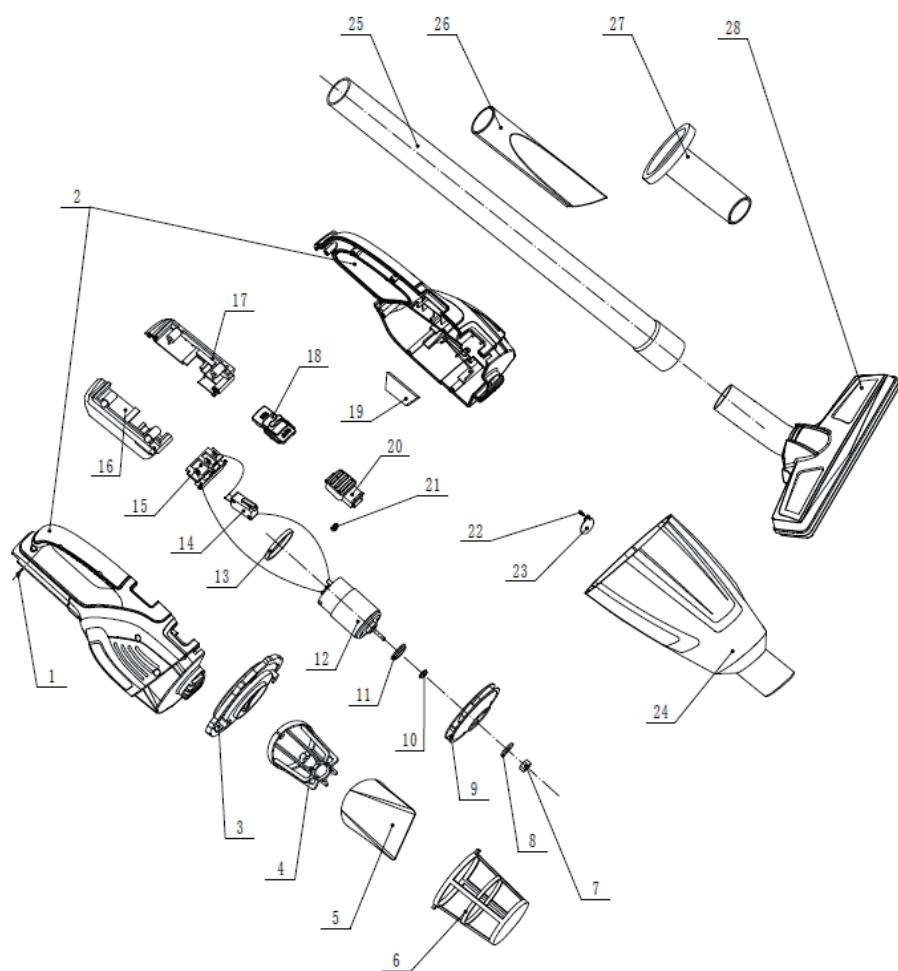
- сменные принадлежности (аксессуары и оснастка), например: аккумуляторы, диски, ножи, сверла, буры, патроны, цепи, звездочки, цанговые зажимы, шины, элементы натяжения и крепления, головки триммеров, подошвы шлифовальных и ленточных машин, фильтры, головки шестигранные, фильтрующие элементы и т.п.

- быстроизнашивающиеся детали, например: угольные щетки, приводные ремни, сальники, защитные кожухи, сменные насадки, направляющие ролики, направляющие, резиновые уплотнения, подшипники, зубчатые ремни

и колеса, стволы, ленты тормоза, храповики и тросы стартеров, поршневые кольца и т.п.

Замена их в течение гарантийного срока является платной услугой.

- шнуры питания, в случае повреждения изоляции, шнуры питания подлежат обязательной замене без согласия владельца (услуга платная), в т.ч. корпуса инструмента.



# P.I.T. WARRANTY CERTIFICATE

Product Name \_\_\_\_\_

Product Serial Number

Battery Serial Number

Charger Serial Number

Sale Date \_\_\_\_\_

Trade Organization Name \_\_\_\_\_



Dear customer!

Thank you for purchasing the P.I.T tool, and we hope that you will be satisfied with your choice. In the process of manufacturing the P.I.T tools pass multilevel quality control, if nevertheless your product will need maintenance, please contact the authorized P.I.T service centers.

Attention!

When buying, ask a seller to check the completeness and operability of the tool, to fill out the Warranty Certificate, the Warranty Card (the boxes shall be filled out by a seller) and to affix the seal of the trade organization in the Guarantee Certificate and the Warranty Card.

Warranty

By this Warranty Certificate, P.I.T. company guarantees the absence of defects of the production nature.

In the event any of the above defects are detected during the warranty period, the specialized P.I.T. service centers shall repair the product and replace the defective spare parts free of charge.

The warranty period for P.I.T. electric machines is 12 months from the date of sale.

“The warranty maintenance terms acknowledged and accepted. The operability and completeness of the product are checked in my presence. No claims on quality and appearance.”

Buyer's Signature \_\_\_\_\_ Surname (legibly) \_\_\_\_\_

Phone \_\_\_\_\_

**ГАРАНТИЙНОЕ СВИДЕТЕЛЬСТВО НА ИНСТРУМЕНТ P.I.T.**

Наименование изделия \_\_\_\_\_

Серийный номер изделия Серийный номер аккумулятора Серийный номер зарядного устройства 

Дата продажи « \_\_\_\_ » \_\_\_\_\_

Наименование торговой организации \_\_\_\_\_

Уважаемый покупатель!

М.П.

Благодарим Вас за покупку инструмента P.I.T. и надеемся, что Вы останетесь довольны своим выбором.

При необходимости обслуживания Вашего изделия обращайтесь в авторизованные сервисные центры P.I.T. Все сервисные центры представлены на сайте [www.pittools.ru](http://www.pittools.ru)

**Внимание!**

При покупке требуйте у продавца проверки работоспособности инструмента и его комплектности, а также заполнения гарантийного свидетельства, гарантийного талона (графы «Заполняются продавцом») и простановки печати торговой организации в гарантийном свидетельстве и гарантийных талонах.

**Гарантия**

На основании данного гарантийного свидетельства компания P.I.T. гарантирует отсутствие дефектов производственного характера.

Если в течение гарантийного срока в Вашем изделии обнаружатся указанные дефекты, то специализированные сервисные центры P.I.T. бесплатно отремонтируют изделие и заменят дефектные запасные части.

Гарантийный срок на электроинструменты P.I.T. составляет 12 месяцев со дня продажи.

«С условиями гарантийного обслуживания ознакомлен(а). Работоспособность и комплектность изделия проверены в моем присутствии. Претензий к качеству и внешнему виду не имею».

Подпись покупателя \_\_\_\_\_ Фамилия (разборчиво) \_\_\_\_\_




Телефон \_\_\_\_\_



# P.I.T. WARRANTY CARD

Name _____ Product Serial Number _____ Battery Serial Number _____ Charger Serial Number _____ Sale Date _____ 20____ Date of Receipt from Repair _____ 20____	<b>P.I.T.</b> <sup>®</sup>	<b>№ 1</b>
	Name _____	
	Product Serial Number _____	
	Battery Serial Number _____	
	Charger Serial Number _____	
	Sale Date _____ 20____	Place of Seal
	(Filled out by a Seller)	
	<input checked="" type="checkbox"/> WARRANTY REPAIR CARD	
	Date of Acceptance for Repair _____ 20____	
	Application for Repair _____	
Customer _____		
Phone (Address) _____		
Cause of Application _____		
Date of Receipt from Repair _____ 20____		
The Tool is checked in my presence _____		
(The Order shall be performed in a Service Center) (Signature)		
Name _____ Product Serial Number _____ Battery Serial Number _____ Charger Serial Number _____ Sale Date _____ 20____ Date of Receipt from Repair _____ 20____	<b>P.I.T.</b> <sup>®</sup>	<b>№ 2</b>
	Name _____	
	Product Serial Number _____	
	Battery Serial Number _____	
	Charger Serial Number _____	
	Sale Date _____ 20____	Place of Seal
	(Filled out by a Seller)	
	<input checked="" type="checkbox"/> WARRANTY REPAIR CARD	
	Date of Acceptance for Repair _____ 20____	
	Application for Repair _____	
Customer _____		
Phone (Address) _____		
Cause of Application _____		
Date of Receipt from Repair _____ 20____		
The Tool is checked in my presence _____		
(The Order shall be performed in a Service Center) (Signature)		
Name _____ Product Serial Number _____ Battery Serial Number _____ Charger Serial Number _____ Sale Date _____ 20____ Date of Receipt from Repair _____ 20____	<b>P.I.T.</b> <sup>®</sup>	<b>№ 3</b>
	Name _____	
	Product Serial Number _____	
	Battery Serial Number _____	
	Charger Serial Number _____	
	Sale Date _____ 20____	Place of Seal
	(Filled out by a Seller)	
	<input checked="" type="checkbox"/> WARRANTY REPAIR CARD	
	Date of Acceptance for Repair _____ 20____	
	Application for Repair _____	
Customer _____		
Phone (Address) _____		
Cause of Application _____		
Date of Receipt from Repair _____ 20____		
The Tool is checked in my presence _____		
(The Order shall be performed in a Service Center) (Signature)		

# ГАРАНТИЙНЫЙ ТАЛОН P.I.T.

 <span style="float: right; font-weight: bold;">Талон № 1</span>		
Наименование _____ Серийный номер изделия _____ Серийный номер аккумулятора _____ Серийный номер зарядного устройства _____ Дата продажи « _____ » _____ 20____ (Заполняется продавцом) <b>КАРТА ГАРАНТИЙНОГО РЕМОНА</b> Дата приема ремонт _____ 20____ Заявка на ремонт _____ Заказчик _____ Телефон (адрес) _____ Причина обращения _____ Дата получения от ремонта _____ 20____ Инструмент проверен в моем присутствии _____ (Заполняется в Сервисном центре) (Подпись) _____	МП	Наименование _____ Серийный номер изделия _____ Серийный номер аккумулятора _____ Серийный номер зарядного устройства _____ Дата продажи _____ 20____ Дата получения от ремонта _____ 20____
 <span style="float: right; font-weight: bold;">Талон № 2</span>		
Наименование _____ Серийный номер изделия _____ Серийный номер аккумулятора _____ Серийный номер зарядного устройства _____ Дата продажи « _____ » _____ 20____ (Заполняется продавцом) <b>КАРТА ГАРАНТИЙНОГО РЕМОНА</b> Дата приема ремонт _____ 20____ Заявка на ремонт _____ Заказчик _____ Телефон (адрес) _____ Причина обращения _____ Дата получения от ремонта _____ 20____ Инструмент проверен в моем присутствии _____ (Заполняется в Сервисном центре) (Подпись) _____	МП	Наименование _____ Серийный номер изделия _____ Серийный номер аккумулятора _____ Серийный номер зарядного устройства _____ Дата продажи _____ 20____ Дата получения от ремонта _____ 20____
 <span style="float: right; font-weight: bold;">Талон № 3</span>		
Наименование _____ Серийный номер изделия _____ Серийный номер аккумулятора _____ Серийный номер зарядного устройства _____ Дата продажи « _____ » _____ 20____ (Заполняется продавцом) <b>КАРТА ГАРАНТИЙНОГО РЕМОНА</b> Дата приема ремонт _____ 20____ Заявка на ремонт _____ Заказчик _____ Телефон (адрес) _____ Причина обращения _____ Дата получения от ремонта _____ 20____ Инструмент проверен в моем присутствии _____ (Заполняется в Сервисном центре) (Подпись) _____	МП	Наименование _____ Серийный номер изделия _____ Серийный номер аккумулятора _____ Серийный номер зарядного устройства _____ Дата продажи _____ 20____ Дата получения от ремонта _____ 20____



**Поставщик / производитель:** Xinjiang Longbo Industrial Co., Ltd./Синзянь Лонгбо Индастриал Ко., Лтд.

**Адрес производства:** Rm. 602, 6th Floor, No. 531, Weixing Road, Economic And Technological Development Zone, Urumqi, Xinjiang, China / Оф.602, 6 этаж, №531, Вейшинг Рoad, Экономик Энд Технолджикал Девелопмент Зон, Урумчи, Синзянь, Китай

**Импортер/ организация, уполномоченная принимать претензии:** ООО «Турбо-Тулс»

**Юридический адрес:** 614058, Пермский край, г. Пермь, ул. Фоминская, 36  
info@pittools.ru

**Сделано в КНР / Made in China**

