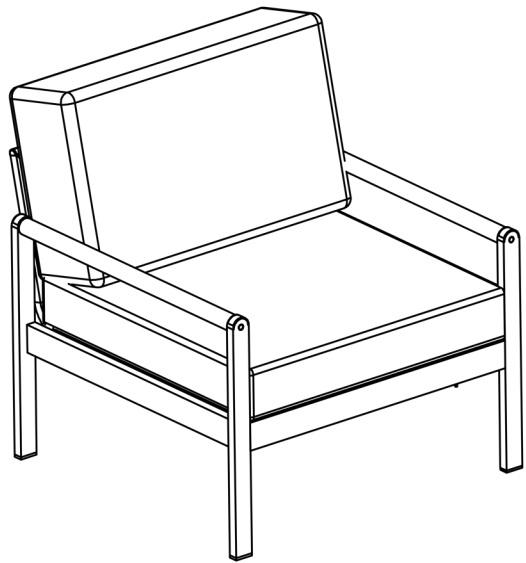
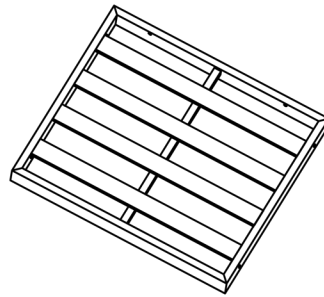


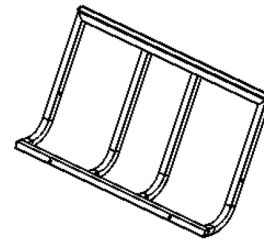
DESCRIPTION



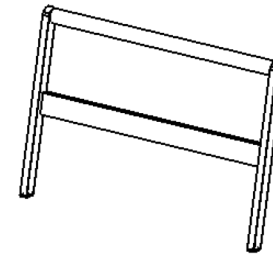
① x1



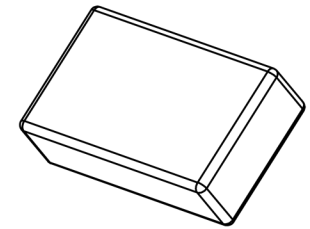
② x1



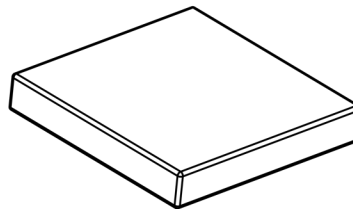
③ x1





④ x1

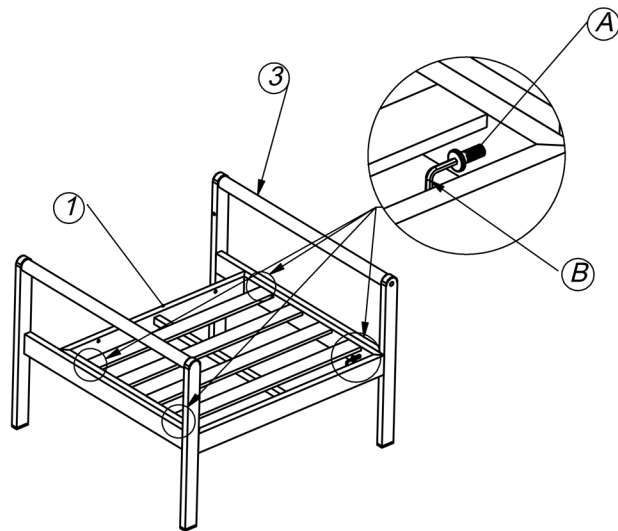


⑤ x1

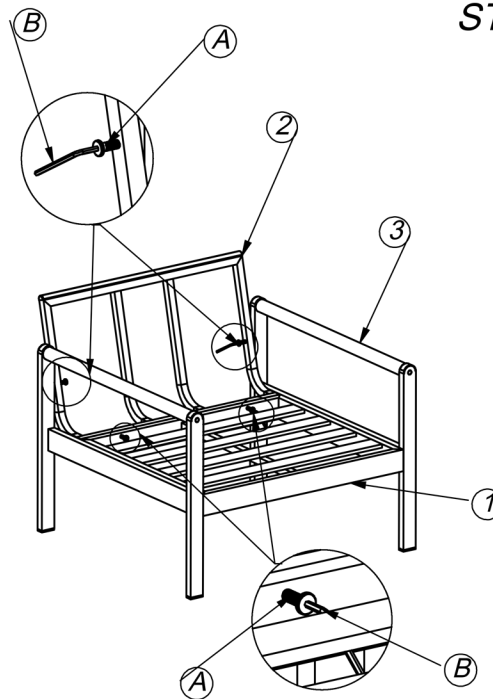


| No | A | B |
|------------|---|---|
| Part Image |  |  |
| Part Name | Screw 8*30 | M4 Allenkey |
| Quantity | 8 | 1 |

STEP 1



STEP 2



FINISH

