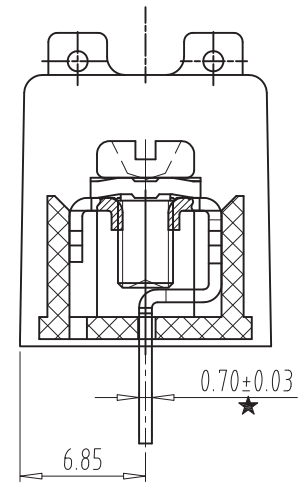
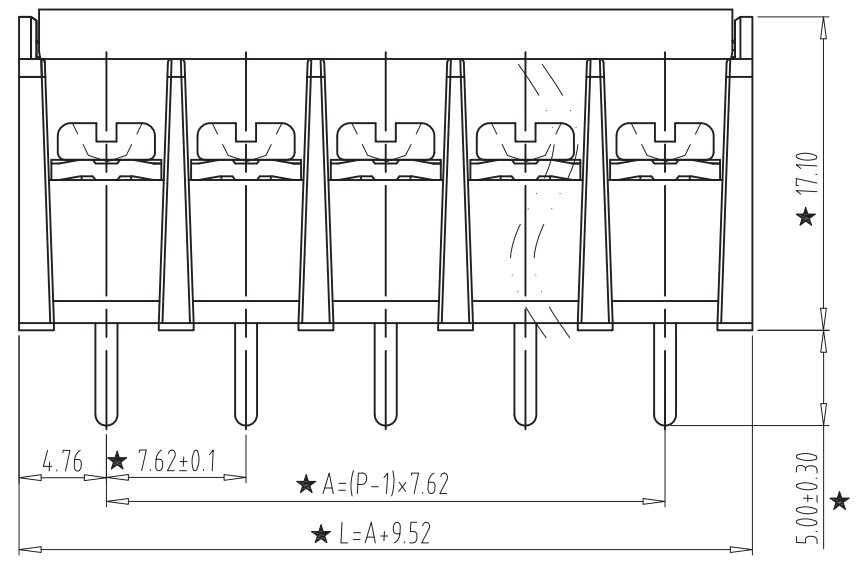
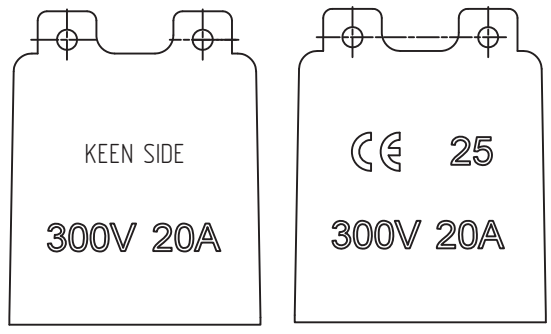
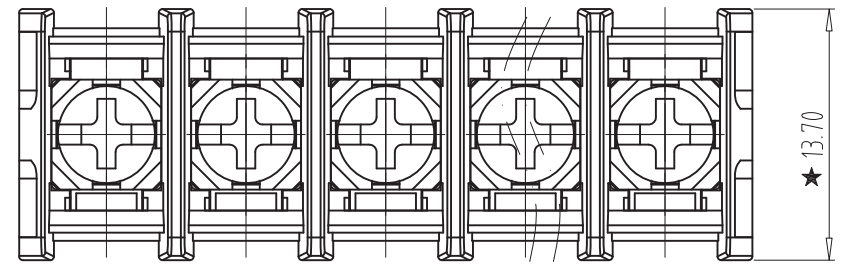


REV	CONTENT	CHK	DATE
-----	---------	-----	------

- NOTES:
1. Rating:300V 20A;
  2. Insulation Withstands Voltage: AC2000V/MIN
  3. Insulation Resistance: 500MΩ or more at DC500V
  4. Using Temperature Range: -40°C/+105°C
  5. Screw Torque Value:0.5N.m
  6. Suitable Electric Wire: 14-22AWG
  - 7, "★" the important dimension.



Total Pitch Tolerances in mm										Nominal dimension range in mm												⊥	≡	-	//
over 0	over 30	over 53	over 70	over 90	over 115	over 150	over 250	over 350	over 500	over 0	over 30	over 53	over 70	over 90	over 115	over 150	over 200	over 250	over 320	over 0	over 10	all	over 0	over 100	over 150
±0.18	±0.20	±0.25	±0.3	±0.35	±0.44	±0.60	±0.70	±0.85	±0.20	±0.25	±0.30	±0.35	±0.44	±0.55	±0.70	±0.80	±0.90	0.2	0.3	0.3	0.2	0.3	0.5		

ITEM	NAME OF PART	NO. OF PART	Q'TY	MATERIAL	NOTE
DWG.	ZX	DATE	2020.05.15	SIZE	A4 UNITS mm SHEET/OF 1/1
CHK.		DATE		SCALE	2.5:1
APP.		DATE		NAME	KSE-25C-B-XX
KEEN SIDE ELECTRONICS				DWGNO.	