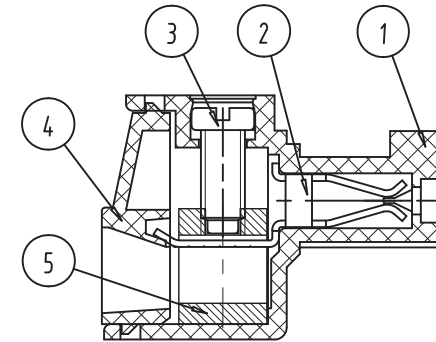


NOTES:

1. Rating: 300V 8A ;
2. Insulation Withstands Voltage: AC2000V/MIN
3. Insulation Resistance: 500MΩ or more at DC500V
4. Using Temperature Range: -40°C --- +105°C
5. Screw Torque Value: 1.7 lbf.in
6. Suitable Electric Wire: 28-16AWG
7. "★" is the important dimension.



DIM	P	2	3	4	5	6	7	8	9	10	11	12	****
L		7.90	11.40	14.90	18.40	21.90	25.40	28.90	32.40	35.90	39.40	42.90	****
A		3.50	7.00	10.50	14.00	17.50	21.00	24.50	28.00	31.50	35.00	38.50	****

Total Pitch Tolerances in mm										Nominal dimension range in mm										⊥	=	-	//								
over 0	over 30	over 53	over 70	over 90	over 115	over 150	over 250	over 350	over 500	over 0	over 30	over 53	over 70	over 90	over 115	over 150	over 200	over 250	over 320	over 0	over 10	all	over 0	over 100	over 150	0.2	0.3	0.3	0.2	0.3	0.5
±0.18	? .20	±0.25	±0.3	±0.35	? .44	±0.60	±0.70	? .85	±0.20	±0.25	±0.30	±0.35	±0.44	±0.55	±0.70	±0.80	±0.90	0.2	0.3	0.3	0.2	0.3	0.5								

ITEM	NAME OF PART	NO. OF PART	Q'TY	MATERIAL	NOTE
DWG.	SK	DATE	2014/11/08	SIZE	A4 UNITS mm SHEET/OF 1/1
CHK.		DATE		SCALE	3:1
APP.		DATE		NAME	KSE-15EDGK-3.50-XX
KEEN SIDE ELECTRONICS				DWGNO.	