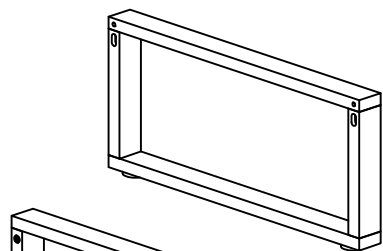
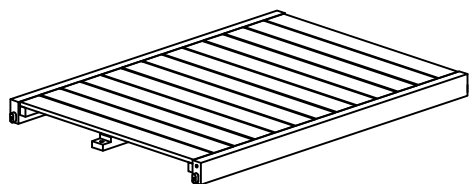
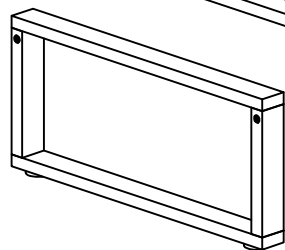


ASSEMBLY INSTRUCTIONS

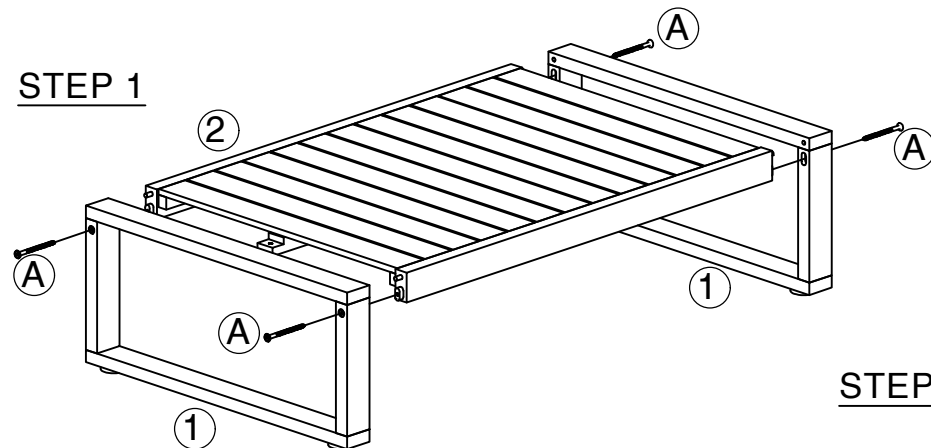


1 x 2

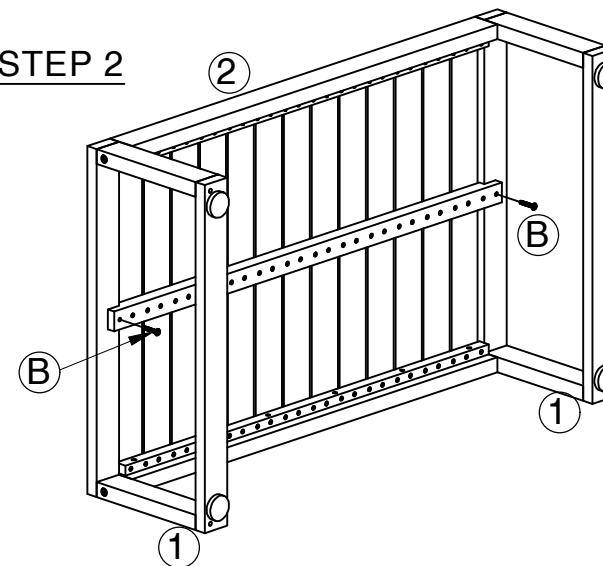


2 x 1

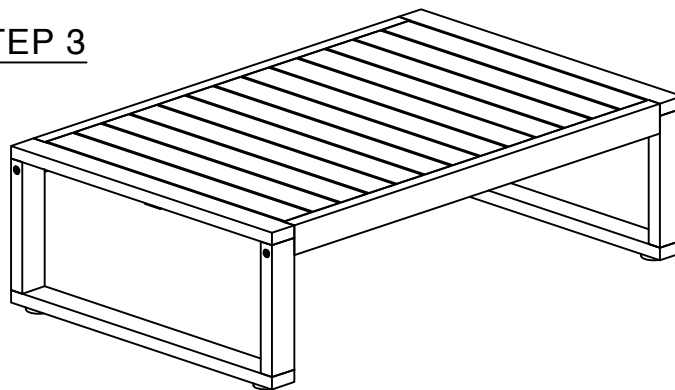
STEP 1



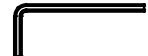


STEP 2



STEP 3



- | | | |
|-----|---|----|
| (A) |  | x4 |
| | M7x90 mm | |
| (B) |  | x2 |
| | M6x35 mm | |
| (C) |  | x1 |