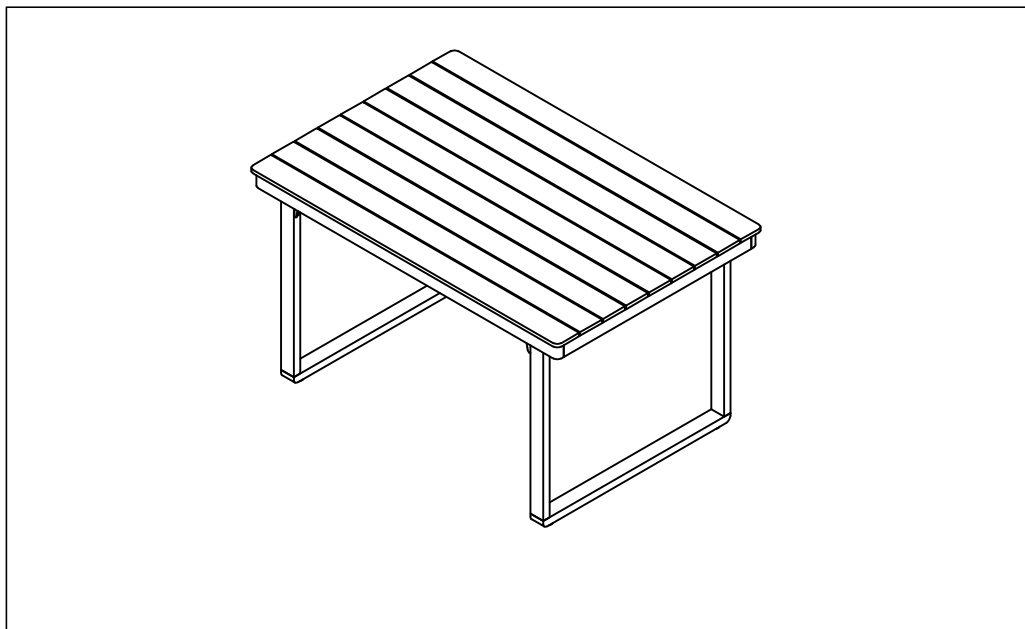
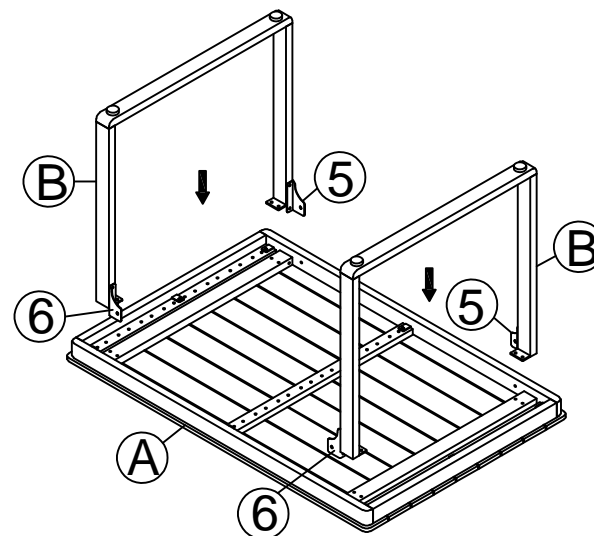


ASSEMBLY INSTRUCTIONS

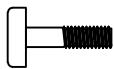
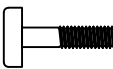

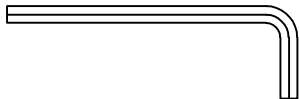
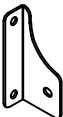

TOPA MID HIEGHT TABLE



Components:

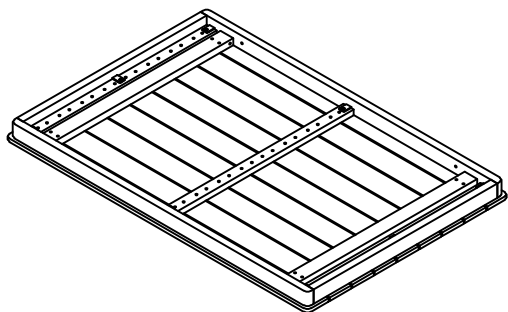


HARDWARES

①	 Bolt M6x15mm	X12	②	 Bolt M6x20mm	X8	③	 Rondelle Ø6.5x16x1mm	X20	④	 Allen Key M4mm	X1
⑤	 Past right	X2	⑥	 Past left	X2						

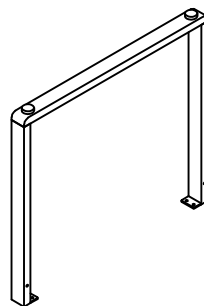
PARST

A



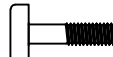
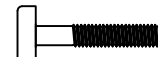




X1

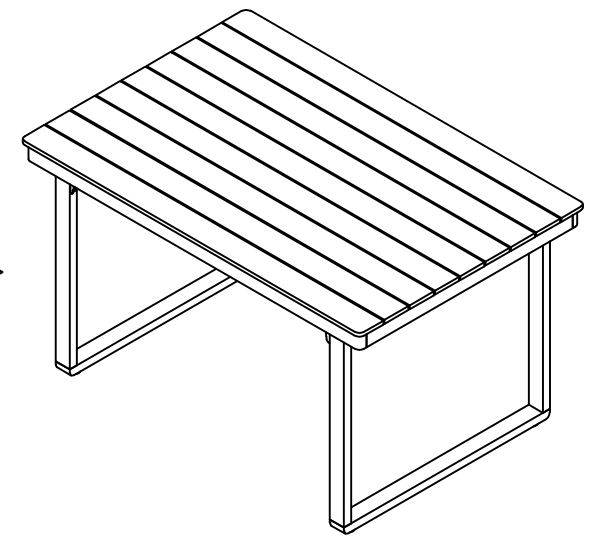
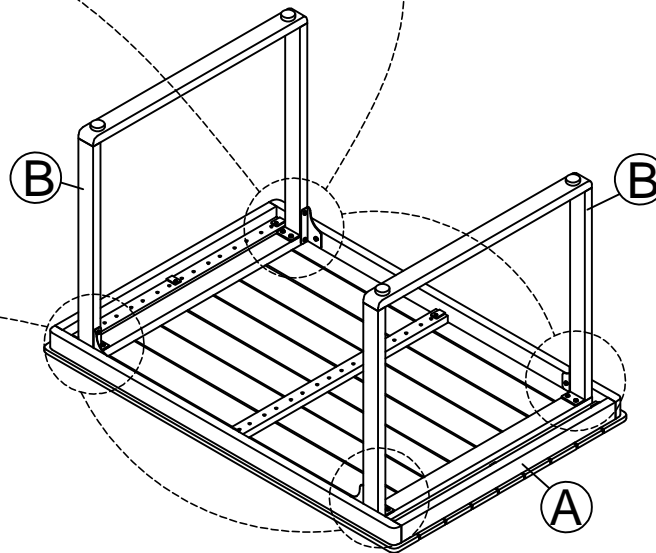
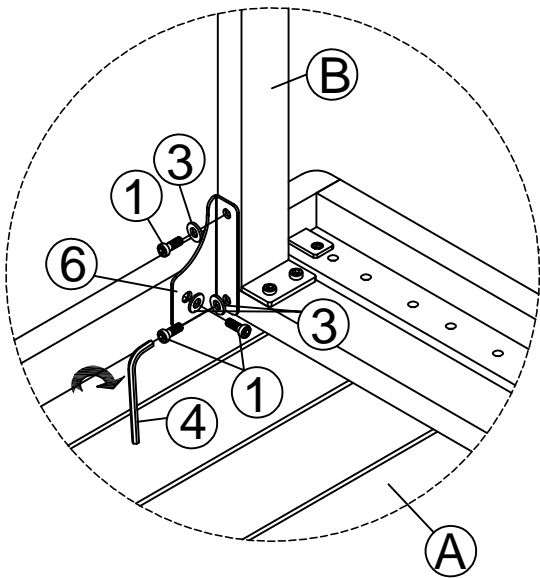
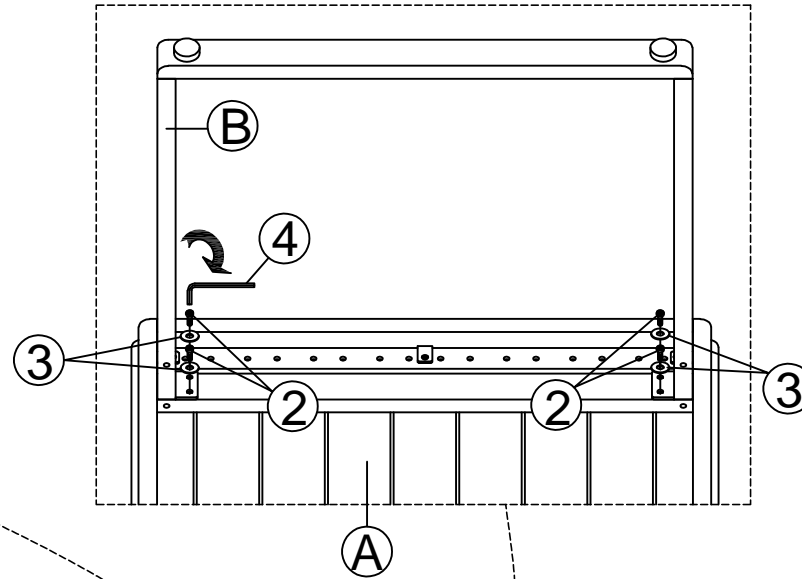
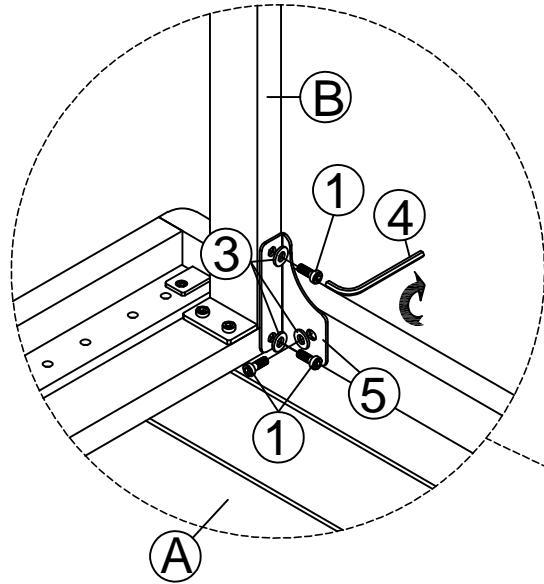
B



X2

Step 1

① X12	 Bolt M6x15mm	② X8	 Bolt M6x20mm
③ X20	 Rondelle Ø6.5x16x1mm	④ X1	 Allen Key M4mm
⑤ X2	 Past right	⑥ X2	 Past left



Finished