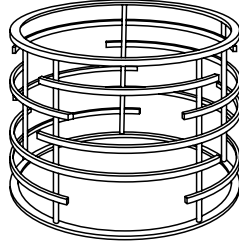


ASSEMBLY INSTRUCTION

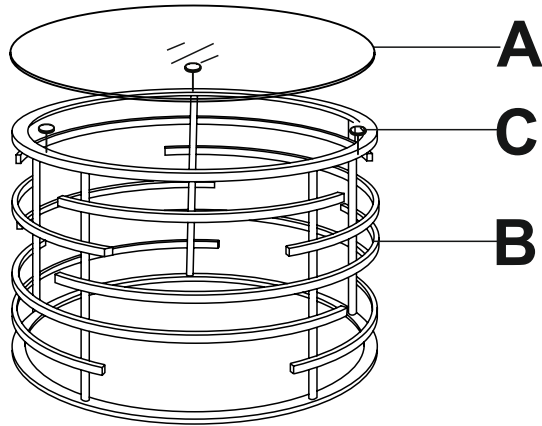
A-1PC

B-1PC

C-3PCS



1



2

