

ASSEMBLY INSTRUCTION

1. -1PC.



2. -1PC.



3. -2PCS.



A. -4PCS.



B. -8PCS.



C. -12PCS.



D. -4PCS.



E. -4PCS.



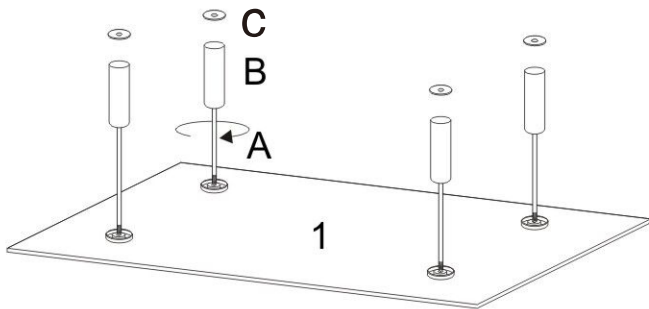
F. -4PCS.



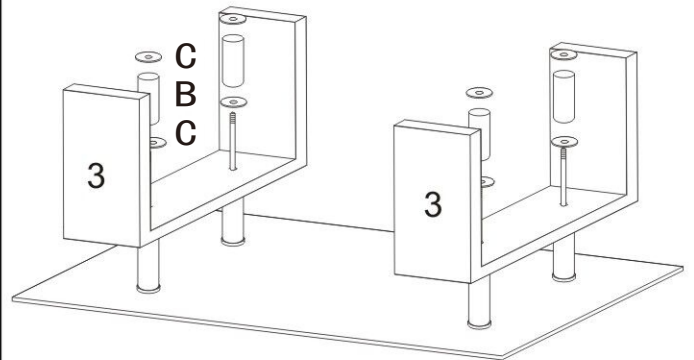
G. -1PC.



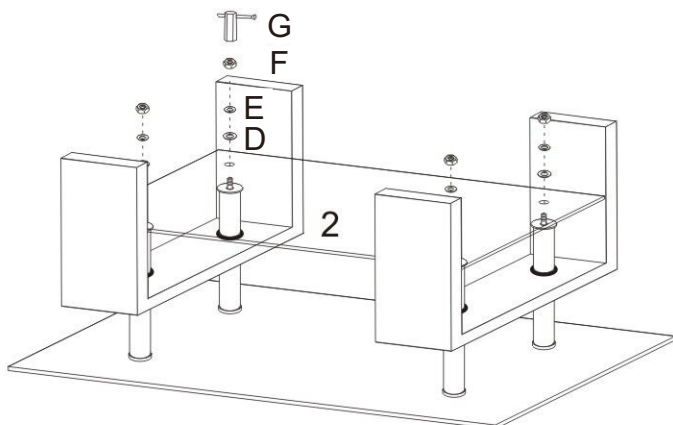
1



2



3



4

