
	Product Information LPP65-40-11/2	Manufacturer	LEO
		Address	China,Zhejiang,Wenling
		Contact	
		Date	
Project Name		Client Name	LEO Sibir LLC
		Client Addr.	Novosibirsk
Item NO		Contacts	
		Contact	

Part NO.	LPP65-40-11/2
----------	---------------

Product Picture	Note
	: CFD

Nameplate parameters

flow	56 m ³ /h
head	40 m
speed	2950 rpm
number of stages	1

Technical

Curve tolerance	IS09906 AnnexA
Maximum lift (m)	43
Minimum usage flow (m ³ /h)	6
Maximum use flow (m ³ /h)	80



Material

Impeller	HT200
Pump inlet	HT200
Pump shaft	AISI304
Mechanical seal	SiC/C
O-ring	NBR

Working conditions


Max. ambient temperature (°C)	40
Max. liquid temperature (°C)	90
Pumped medium	
Working pressure	16bar

Installation

Inlet & Outlet Diameter	DN65
Connection standard	DIN

Motor

Motor phase	Three phase
Protection class	IP55
Motor poles	2
Insulation class	F
Motor power (KW)	11KW
Frequency	50
Rated voltage (V)	380
Rated current (A)	20.5903446506826
Efficiency class	IE3
Power factor	0.89

	Product Information LPP65-40-11/2	Manufacturer	LEO
		Address	China,Zhejiang,Wenling
		Contact	
		Date	
Project Name		Client Name	LEO Sibir LLC
		Client Addr.	Novosibirsk
Item NO		Contacts	
		Contact	

Drive end bearing 7309
Non-drive end bearing 6208
Efficiency (%) 91.2

Weight/Packaging

Gross weight (kg) 198
Package size 1030*545*640





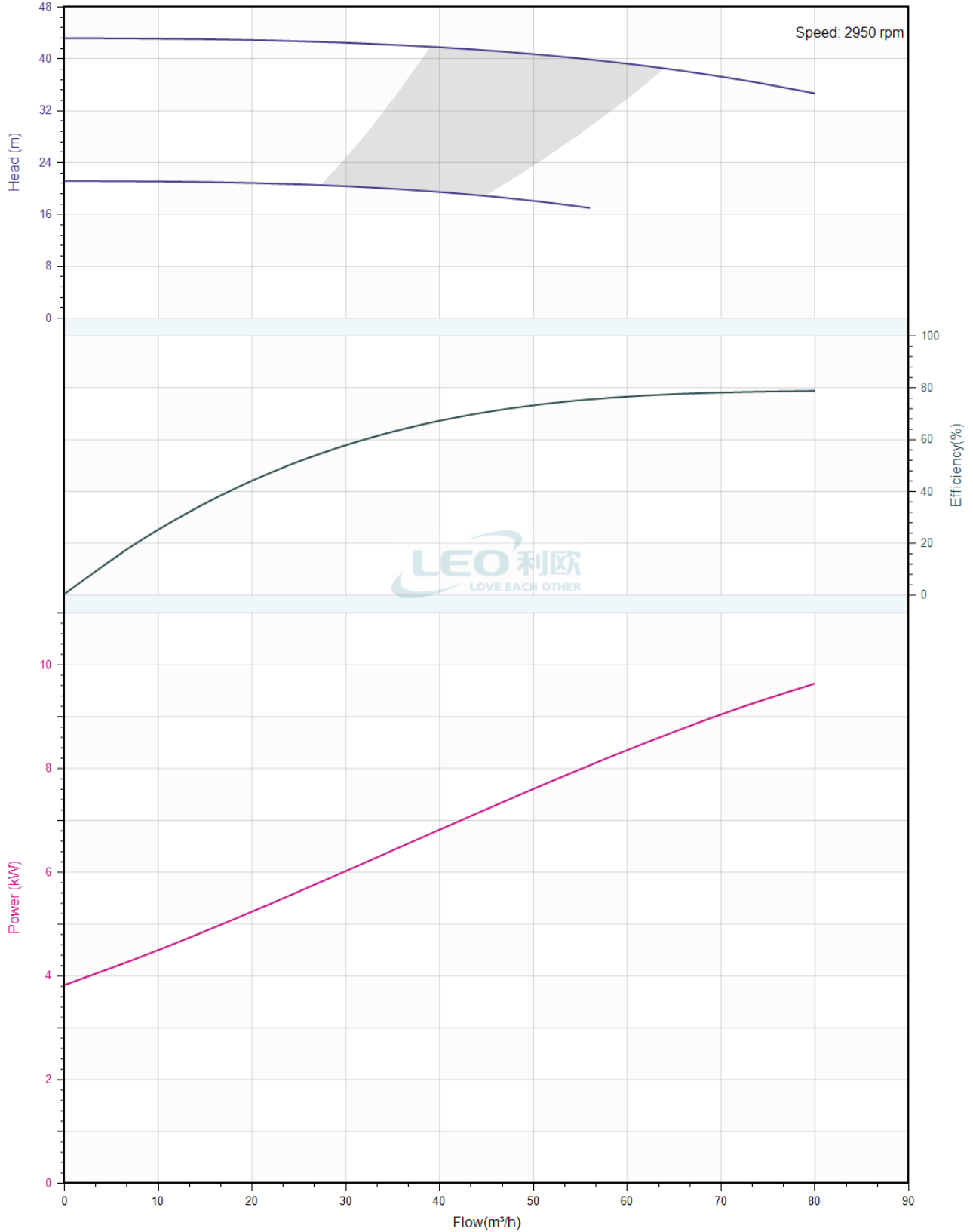
Performance Curve

LPP65-40-11/2

Manufacturer	LEO
Address	China,Zhejiang,Wenling
Contact	
Date	
Client Name	LEO Sibir LLC
Client Addr.	Novosibirsk
Contacts	
Contact	

Project Name	
Item NO	

The hydraulic performance curve have been tested with Clean Water at 20°C, density 1000kg/m³, and at 1bar atmospheric pressure. GB32162016 Grande 3B





Pump Technical Parameters LPP65-40-11/2

Manufacturer	LEO
Address	China,Zhejiang,Wenling
Contact	
Date	

Project Name

Client Name	LEO Sibir LLC
Client Addr.	Novosibirsk

Item NO

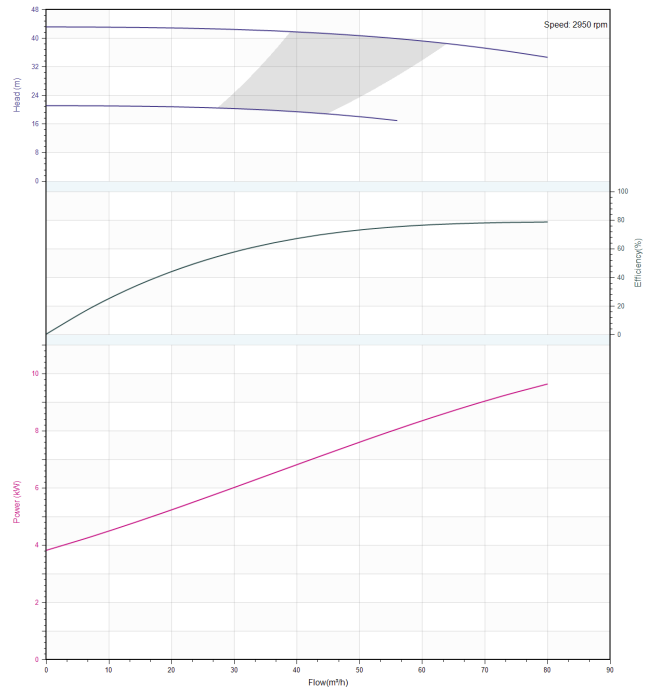
Contacts	
Contact	


Rated parameters

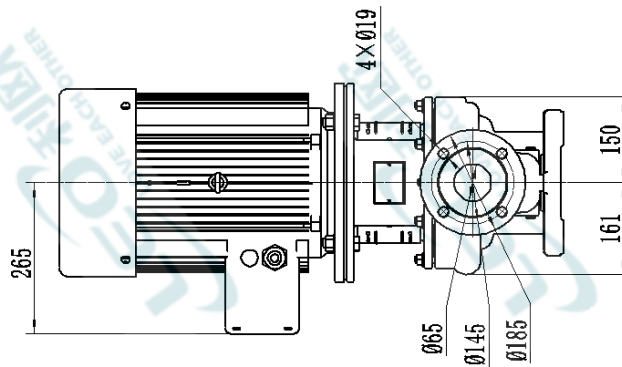
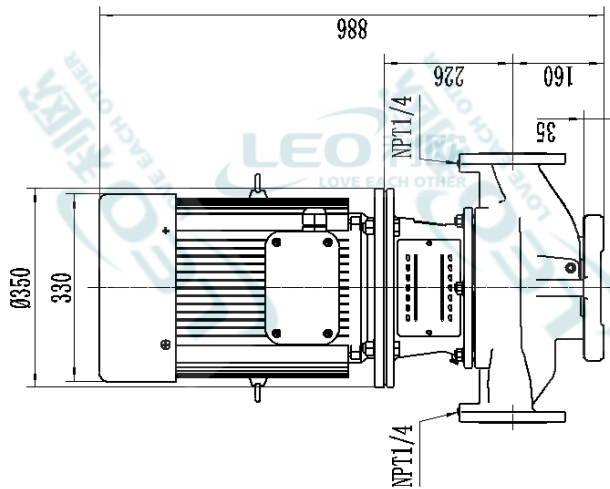
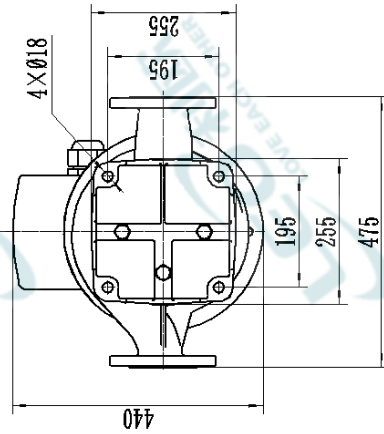
Pump model	LPP65-40-11/2
Part NO.	LPP65-40-11/2
Rated flow	56 m ³ /h
Rated head	40 m
Rated efficiency (%)	75.3
Power (kW)	8.11
Speed (rpm)	2950
Max impeller diameter (mm)	182


Medium

Pumped medium	Clean Water
Working temperature (°C)	20
Medium density (kg/m ³)	1000
Viscosity (mm ² /s)	1



	Installation picture LPP65-40-11/2	Manufacturer	LEO
		Address	China,Zhejiang,Wenling
		Contact	
		Date	
Project Name		Client Name	LEO Sibir LLC
Item NO		Client Addr.	Novosibirsk
		Contacts	
		Contact	



	Order Data LPP65-40-11/2	Manufacturer	LEO
		Address	China,Zhejiang,Wenling
		Contact	
		Date	
Project Name		Client Name	LEO Sibir LLC
		Client Addr.	Novosibirsk
Item NO		Contacts	
		Contact	

Pump model LPP65-40-11/2
 Part NO. LPP65-40-11/2
 Product price
 Quantity 1
 Total price

Inquiry notes

