
	<b>Product Information</b>  <b>LPP50-12-1.1/2</b>	Manufacturer	LEO
		Address	China,Zhejiang,Wenling
		Contact	
		Date	
<b>Project Name</b>		Client Name	LEO Sibir LLC
		Client Addr.	Novosibirsk
<b>Item NO</b>		Contacts	
		Contact	

Part NO.	LPP50-12-1.1/2
----------	----------------

Product Picture	Note
	: CFD

### Nameplate parameters

flow	20 m <sup>3</sup> /h
head	12 m
speed	2900 rpm
number of stages	1

### Technical

Curve tolerance	IS09906 AnnexA
Maximum lift (m)	15
Minimum usage flow (m <sup>3</sup> /h)	2
Maximum use flow (m <sup>3</sup> /h)	26



### Material

Impeller	HT200
Pump inlet	HT200
Pump shaft	AISI304
Mechanical seal	SiC/C
O-ring	NBR

### Working conditions


Max. ambient temperature (°C)	40
Max. liquid temperature (°C)	90
Pumped medium	
Working pressure	16bar

### Installation

Inlet & Outlet Diameter	DN50
Connection standard	DIN

### Motor

Motor phase	Three phase
Protection class	IP55
Motor poles	2
Insulation class	F
Motor power (KW)	1.1KW
Frequency	50
Rated voltage (V)	380
Rated current (A)	2.43480877989337
Efficiency class	IE3
Power factor	0.83


	<b>Product Information</b>  <b>LPP50-12-1.1/2</b>	Manufacturer	LEO
		Address	China,Zhejiang,Wenling
		Contact	
		Date	
<b>Project Name</b>		Client Name	LEO Sibir LLC
		Client Addr.	Novosibirsk
<b>Item NO</b>		Contacts	
		Contact	

Drive end bearing	6205
Non-drive end bearing	6204
Efficiency (%)	82.7

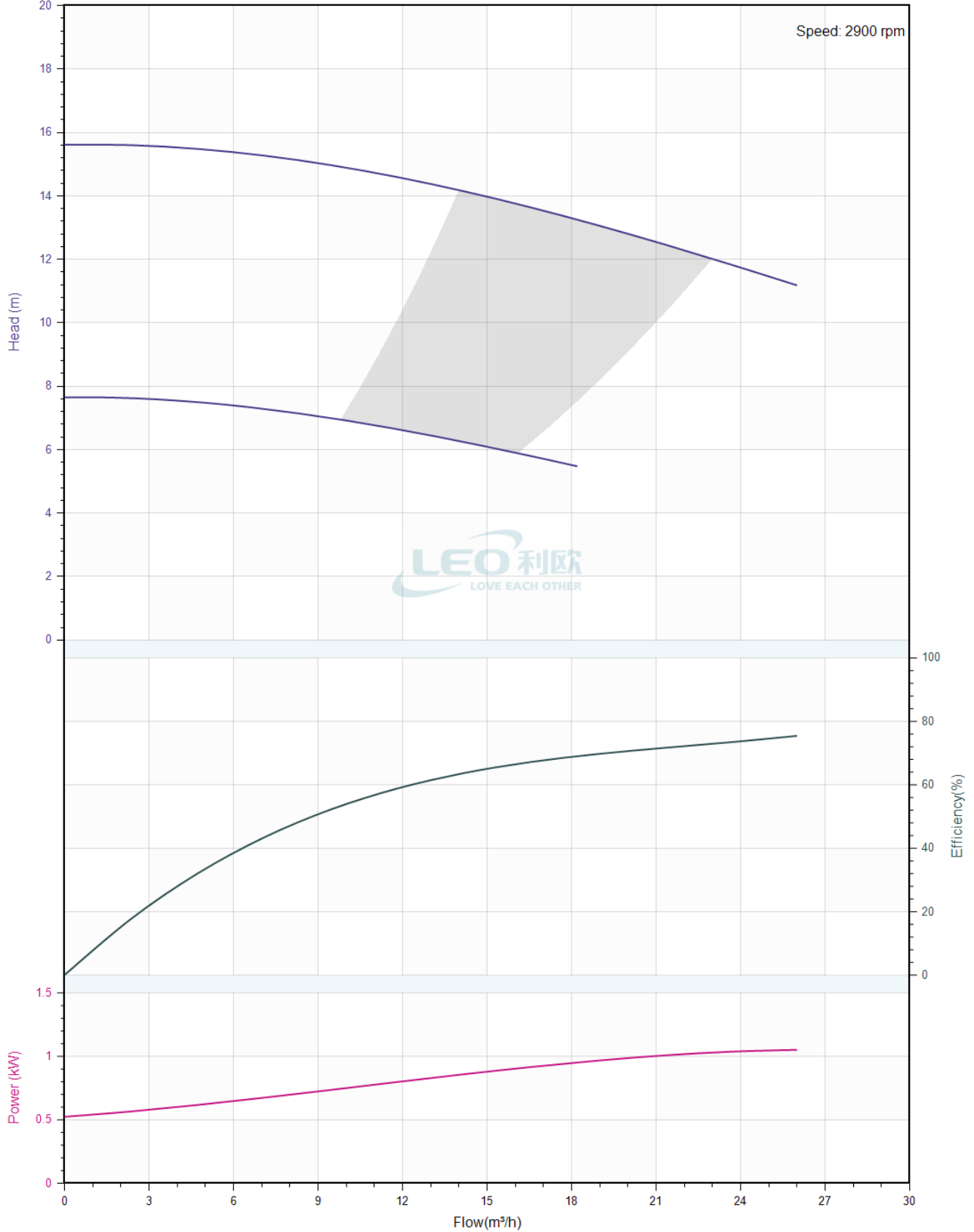
**Weight/Packaging**

Gross weight (kg)	52.53
Package size	670*395*300



	<b>Performance Curve</b> <b>LPP50-12-1.1/2</b>	Manufacturer	LEO
		Address	China,Zhejiang,Wenling
		Contact	
		Date	
Project Name		Client Name	LEO Sibir LLC
		Client Addr.	Novosibirsk
Item NO		Contacts	
		Contact	

The hydraulic performance curve have been tested with Clean Water at 20°C, density 1000kg/m<sup>3</sup>, and at 1bar atmospheric pressure. GB32162016 Grande 3B





## Pump Technical Parameters LPP50-12-1.1/2

Manufacturer	LEO
Address	China,Zhejiang,Wenling
Contact	
Date	

Project Name	
--------------	--

Client Name	LEO Sibir LLC
Client Addr.	Novosibirsk

Item NO	
---------	--

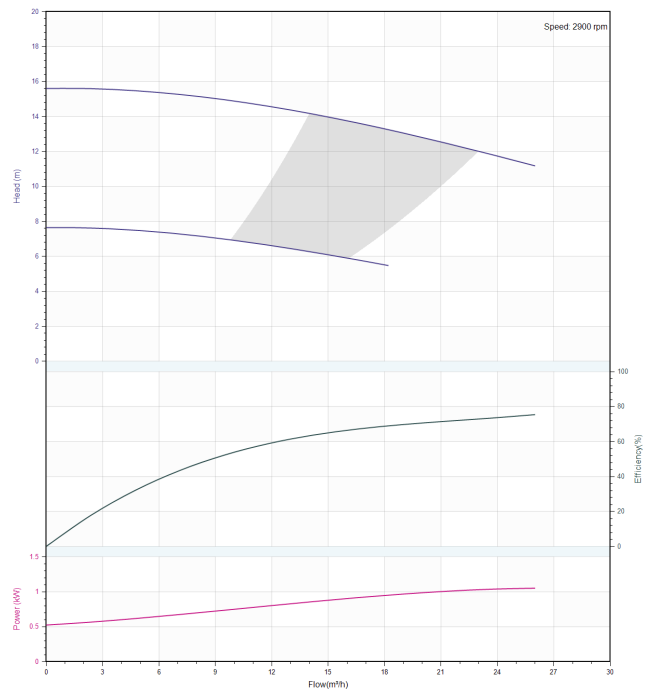
Contacts	
Contact	


### Rated parameters

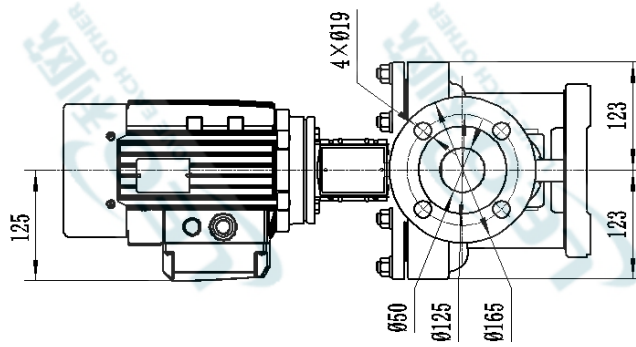
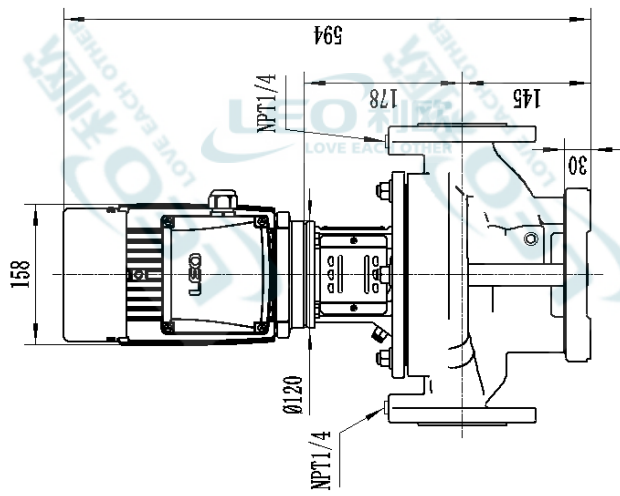
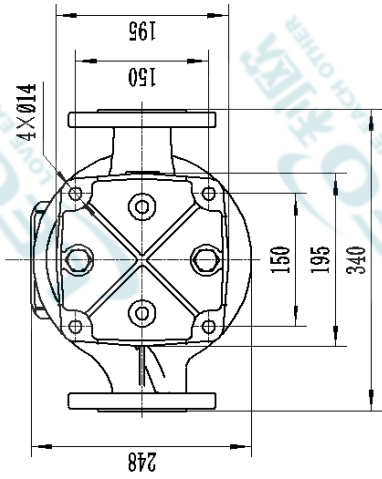
Pump model	LPP50-12-1.1/2
Part NO.	LPP50-12-1.1/2
Rated flow	20 m <sup>3</sup> /h
Rated head	12 m
Rated efficiency (%)	71.5
Power (kW)	0.915
Speed (rpm)	2900
Max impeller diameter (mm)	109


### Medium

Pumped medium	Clean Water
Working temperature (°C)	20
Medium density (kg/m <sup>3</sup> )	1000
Viscosity (mm <sup>2</sup> /s)	1



	<b>Installation picture</b> <b>LPP50-12-1.1/2</b>	Manufacturer	LEO
		Address	China,Zhejiang,Wenling
		Contact	
		Date	
Project Name		Client Name	LEO Sibir LLC
Item NO		Client Addr.	Novosibirsk
		Contacts	
		Contact	



	<b>Order Data</b> <b>LPP50-12-1.1/2</b>	Manufacturer	LEO
		Address	China,Zhejiang,Wenling
		Contact	
		Date	
<b>Project Name</b>		Client Name	LEO Sibir LLC
		Client Addr.	Novosibirsk
<b>Item NO</b>		Contacts	
		Contact	

Pump model                    LPP50-12-1.1/2  
 Part NO.                        LPP50-12-1.1/2  
 Product price  
 Quantity                        1  
 Total price

Inquiry notes

