
	Product Information LPP32-26-2.2/2	Manufacturer	LEO
		Address	China,Zhejiang,Wenling
		Contact	
		Date	
Project Name		Client Name	LEO Sibir LLC
		Client Addr.	Novosibirsk
Item NO		Contacts	
		Contact	

Part NO.	LPP32-26-2.2/2
----------	----------------

Product Picture	Note
	: CFD

Nameplate parameters

flow	18 m ³ /h
head	26 m
speed	2900 rpm
number of stages	1

Technical

Curve tolerance	IS09906 AnnexA
Maximum lift (m)	32
Minimum usage flow (m ³ /h)	2
Maximum use flow (m ³ /h)	21



Material

Impeller	HT200
Pump inlet	HT200
Pump shaft	AISI304
Mechanical seal	SiC/C
O-ring	NBR

Working conditions


Max. ambient temperature (°C)	40
Max. liquid temperature (°C)	90
Pumped medium	
Working pressure	16bar

Installation

Inlet & Outlet Diameter	DN32
Connection standard	DIN

Motor

Motor phase	Three phase
Protection class	IP55
Motor poles	2
Insulation class	F
Motor power (KW)	2.2KW
Frequency	50
Rated voltage (V)	380
Rated current (A)	4.57790069056113
Efficiency class	IE3
Power factor	0.85

	Product Information LPP32-26-2.2/2	Manufacturer	LEO
		Address	China,Zhejiang,Wenling
		Contact	
		Date	
Project Name		Client Name	LEO Sibir LLC
		Client Addr.	Novosibirsk
Item NO		Contacts	
		Contact	

Drive end bearing	6205
Non-drive end bearing	6205
Efficiency (%)	85.9

Weight/Packaging

Gross weight (kg)	47.65
Package size	740*420*325





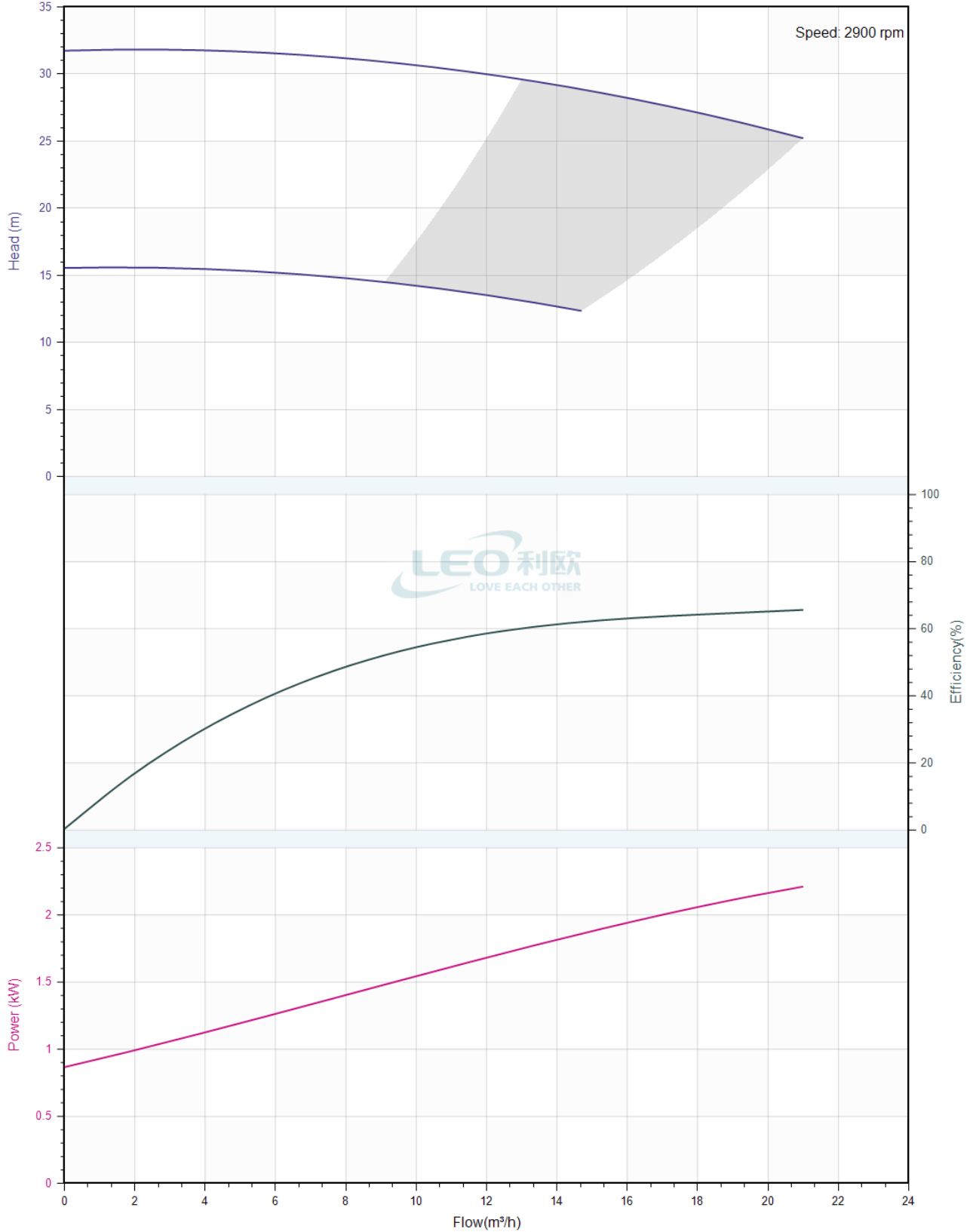
Performance Curve

LPP32-26-2.2/2

Manufacturer	LEO
Address	China,Zhejiang,Wenling
Contact	
Date	
Client Name	LEO Sibir LLC
Client Addr.	Novosibirsk
Contacts	
Contact	

Project Name	
Item NO	

The hydraulic performance curve have been tested with Clean Water at 20°C, density 1000kg/m³, and at 1bar atmospheric pressure. GB32162016 Grande 3B





Pump Technical Parameters

LPP32-26-2.2/2

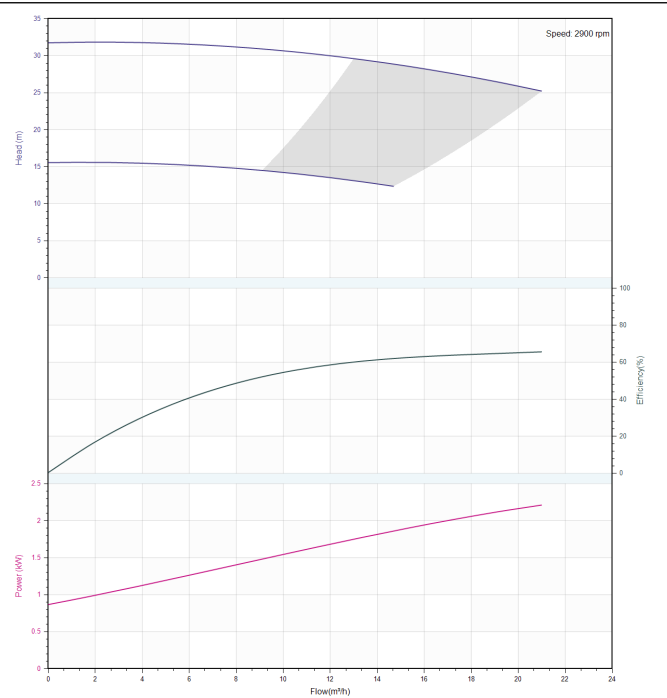
Manufacturer	LEO
Address	China,Zhejiang,Wenling
Contact	
Date	
Client Name	LEO Sibir LLC
Client Addr.	Novosibirsk
Contacts	
Contact	


Rated parameters

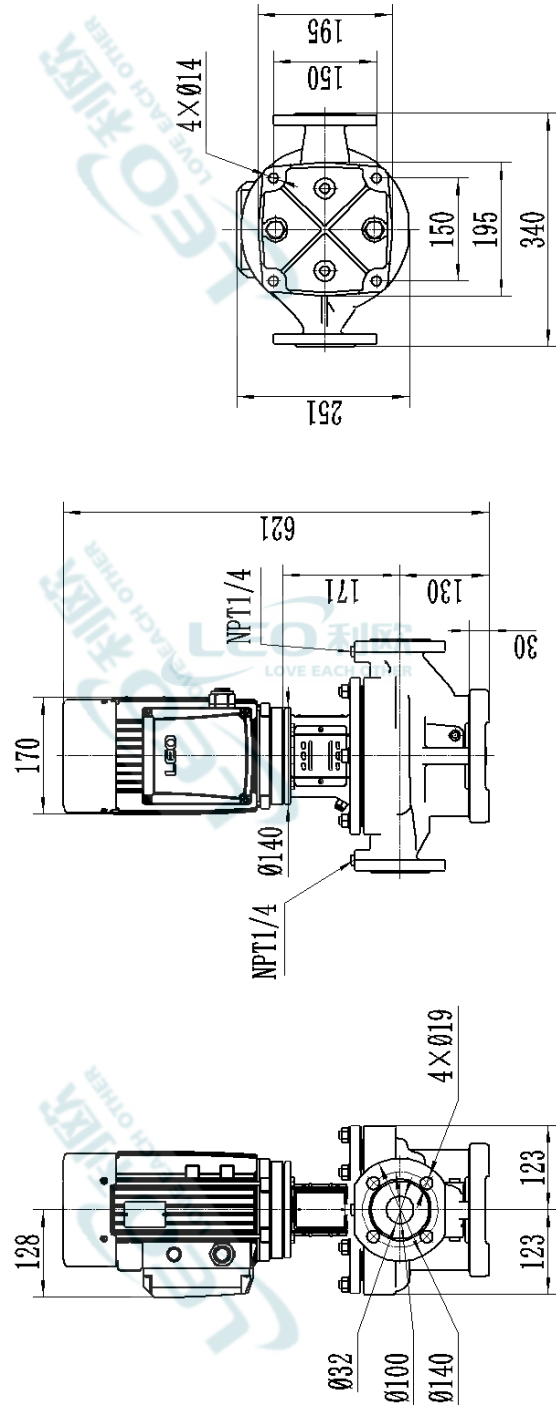
Pump model	LPP32-26-2.2/2
Part NO.	LPP32-26-2.2/2
Rated flow	18 m ³ /h
Rated head	26 m
Rated efficiency (%)	64.5
Power (kW)	1.977
Speed (rpm)	2900
Max impeller diameter (mm)	153

Medium

Pumped medium	Clean Water
Working temperature (°C)	20
Medium density (kg/m ³)	1000
Viscosity (mm ² /s)	1



	Installation picture LPP32-26-2.2/2	Manufacturer	LEO
		Address	China,Zhejiang,Wenling
		Contact	
		Date	
Project Name		Client Name	LEO Sibir LLC
Item NO		Client Addr.	Novosibirsk
		Contacts	
		Contact	





Order Data
LPP32-26-2.2/2

Manufacturer	LEO
Address	China,Zhejiang,Wenling
Contact	
Date	
Client Name	LEO Sibir LLC
Client Addr.	Novosibirsk
Contacts	
Contact	

Project Name

Item NO

Pump model LPP32-26-2.2/2
Part NO. LPP32-26-2.2/2
Product price
Quantity 1
Total price

Inquiry notes

