
	Product Information LVR5-8	Manufacturer	LEO
		Address	China,Zhejiang,Wenling
		Contact	
		Date	
Project Name		Client Name	LEO Sibir LLC
		Client Addr.	Novosibirsk
Item NO		Contacts	
		Contact	

Part NO.	50005220
----------	----------

Product Picture	Note
	<p>LVR series vertical multistage centrifugal pump is applicable to transfer liquids without solid particles<0.2mm and fiberslow viscositynon-inflammable non-explosive and not easy vaporization. Widely used in high-rise building water supply and drainageWater filtration and transportation, pipeline pressurization. High pressure flushing and cleaning system. Boiler feed water, cooling water circulation, water treatment system and other equipment supporting system. Ultrafiltration system, reverse osmosis system, distillation system, separator, swimming pool and other water treatment systems. Irrigation and drip irrigation systems in agriculture. food and beverage and fire fighting systems.</p>

Nameplate parameters

flow	5 m ³ /h
head	40 m
speed	2900 rpm
number of stages	8

Technical

Flow range (m ³ /h)	2.5-8.5m ³ /h
Curve tolerance	ISO 9906 Annex A
Head range (m)	

Material

Impeller	AISI 304
Diffuser	AISI 304
Pump shaft	AISI 304
Pump flange	HT200
Motor base	HT200
Coupling	ferrous powder metallurgy
Pump barrel	AISI 304



Working conditions


Medium temperature (°C)	-20°C ~ +120°C
Max. ambient temperature (°C)	+40°C
Pumped medium	Clean water
Working pressure	16bar
Maximum inlet pressure	10bar

Installation

Connection method	Oval flange
Inlet / outlet dia.	G1 1/4

Motor

Motor phase	Three phase
Protection class	IP55
Motor poles	2
Insulation class	F
Motor power (KW)	1.1kW
Motor model	YX3-80M2-2
Frequency	50Hz
Rated voltage (V)	380V

	Product Information LVR5-8	Manufacturer	LEO
		Address	China,Zhejiang,Wenling
		Contact	
		Date	
Project Name		Client Name	LEO Sibir LLC
		Client Addr.	Novosibirsk
Item NO		Contacts	
		Contact	

Rated current (A) 2.53A
Efficiency class IE2
Power factor 0.83
Efficiency (%)

Weight/Packaging

Net weight (kg) 29.09
Gross weight (kg) 35.39
Package size 742*280*305mm



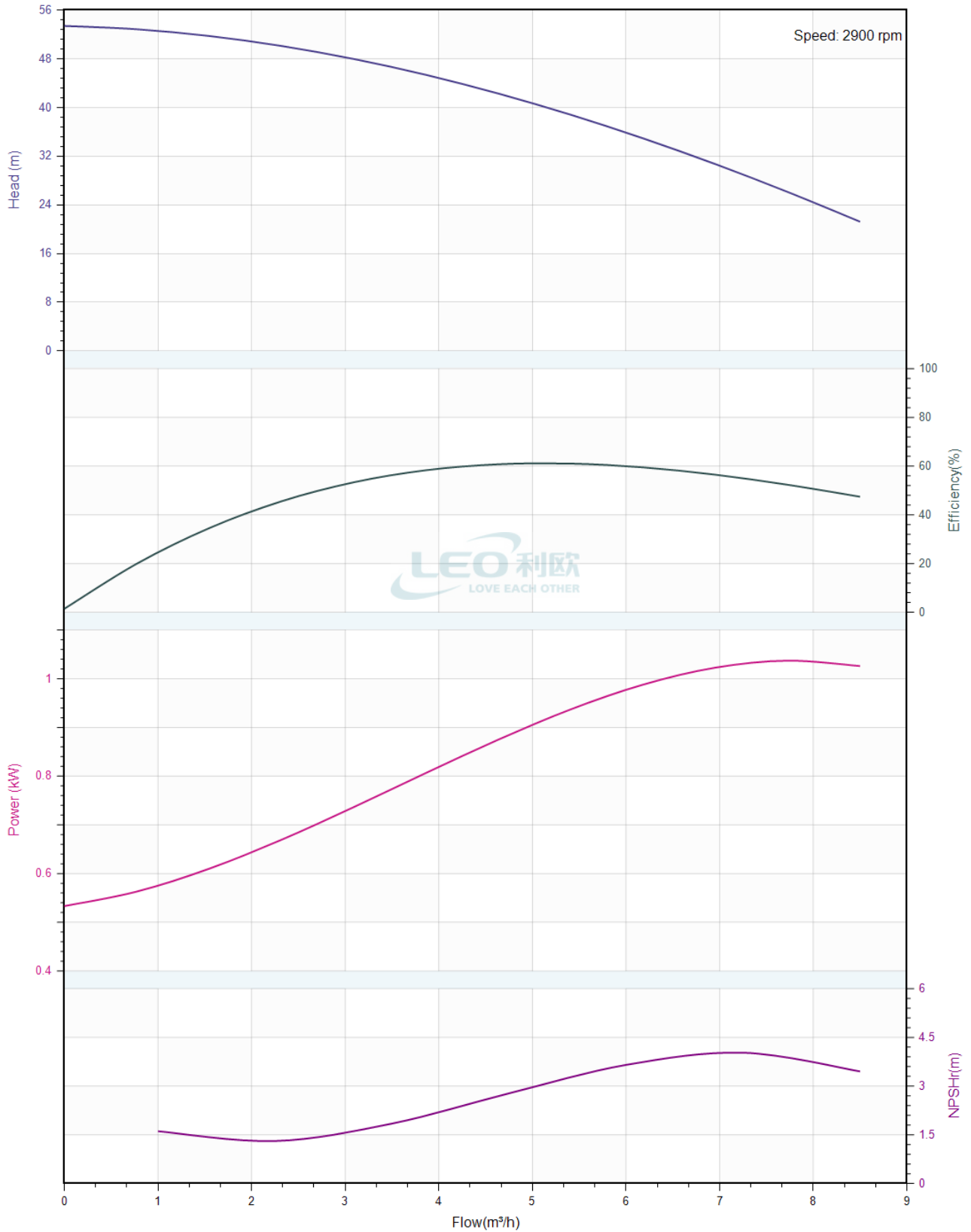


Performance Curve LVR5-8

Manufacturer	LEO
Address	China,Zhejiang,Wenling
Contact	
Date	
Client Name	LEO Sibir LLC
Client Addr.	Novosibirsk
Contacts	
Contact	

Project Name	
Item NO	

The hydraulic performance curve have been tested with Clean Water at 20°C, density 1000kg/m³, and at 1bar atmospheric pressure. GB32162016 Grande 3B





Pump Technical Parameters

LVR5-8

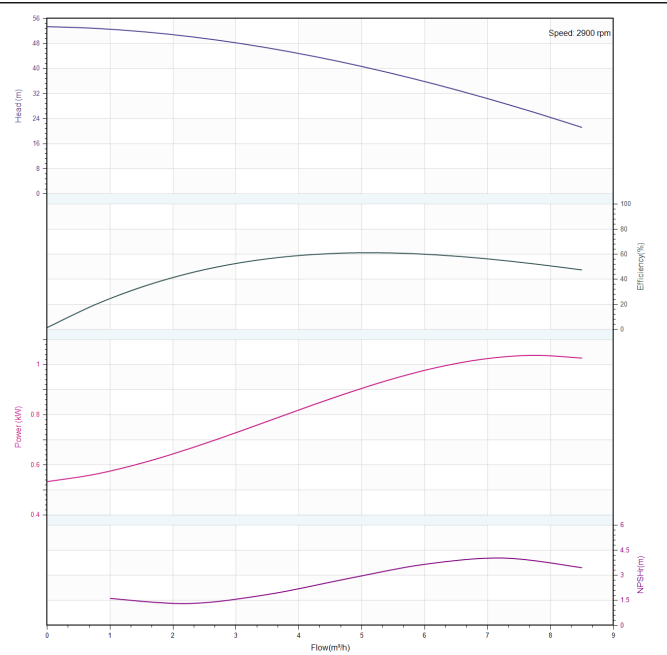
Manufacturer	LEO
Address	China,Zhejiang,Wenling
Contact	
Date	
Client Name	LEO Sibir LLC
Client Addr.	Novosibirsk
Contacts	
Contact	

Rated parameters

Pump model	LVR5-8
Part NO.	50005220
Rated flow	5 m ³ /h
Rated head	40 m
Rated efficiency (%)	60
Power (kW)	0.91
Speed (rpm)	2900

Medium

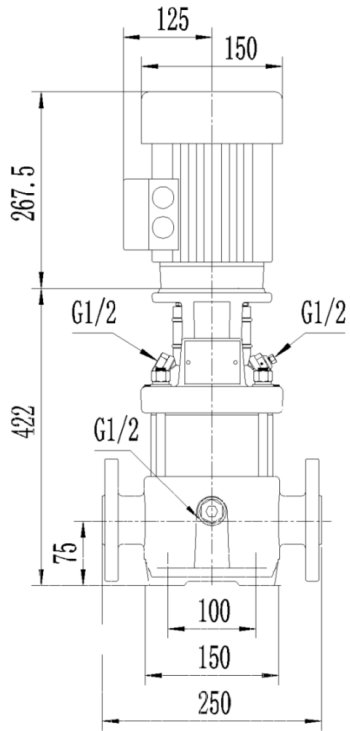
Pumped medium	Clean Water
Working temperature (°C)	20
Medium density (kg/m ³)	1000
Viscosity (mm ² /s)	1



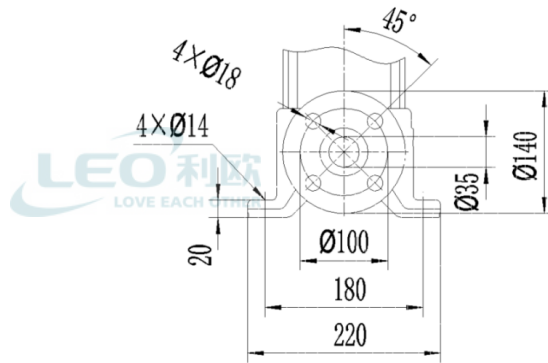
Manufacturer	LEO
Address	China,Zhejiang,Wenling
Contact	
Date	
Client Name	LEO Sibir LLC
Client Addr.	Novosibirsk
Contacts	
Contact	

Project Name

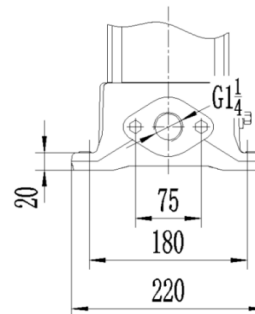
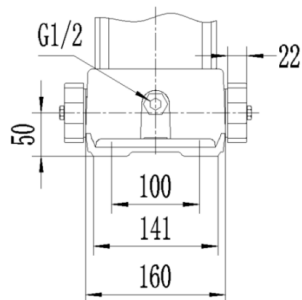
Item NO




DIN FLANGE



OVAL FLANGE



	Order Data LVR5-8	Manufacturer	LEO
		Address	China,Zhejiang,Wenling
		Contact	
		Date	
Project Name		Client Name	LEO Sibir LLC
		Client Addr.	Novosibirsk
Item NO		Contacts	
		Contact	

Pump model LVR5-8
 Part NO. 50005220
 Product price
 Quantity 1
 Total price

Inquiry notes

