
	<b>Product Information</b>  <b>LVR3-17</b>	Manufacturer	LEO
		Address	China,Zhejiang,Wenling
		Contact	
		Date	
<b>Project Name</b>		Client Name	LEO Sibir LLC
		Client Addr.	Novosibirsk
<b>Item NO</b>		Contacts	
		Contact	

Part NO.	50005567
----------	----------

Product Picture	Note
	<p>LVR series vertical multistage centrifugal pump is applicable to transfer liquids without solid particles&lt;0.2mm and fiberslow viscositynon-inflammable non-explosive and not easy vaporization. Widely used in high-rise building water supply and drainageWater filtration and transportation, pipeline pressurization. High pressure flushing and cleaning system. Boiler feed water, cooling water circulation, water treatment system and other equipment supporting system. Ultrafiltration system, reverse osmosis system, distillation system, separator, swimming pool and other water treatment systems. Irrigation and drip irrigation systems in agriculture. food and beverage and fire fighting systems.</p>

### Nameplate parameters

flow	3 m <sup>3</sup> /h
head	78 m
speed	2900 rpm
number of stages	17

### Technical

Flow range (m <sup>3</sup> /h)	1.2-4.5m <sup>3</sup> /h
Curve tolerance	ISO 9906 Annex A
Head range (m)	

### Material

Impeller	AISI 304
Diffuser	AISI 304
Pump shaft	AISI 304
Pump flange	HT200
Motor base	HT200
Coupling	ferrous powder metallurgy
Pump barrel	AISI 304



### Working conditions


Medium temperature (°C)	-20°C ~ +120°C
Max. ambient temperature (°C)	+40°C
Pumped medium	Clean water
Working pressure	16bar
Maximum inlet pressure	10bar


### Installation

Connection method	Oval flange
Inlet / outlet dia.	G1 1/4

### Motor

Motor phase	Three phase
Protection class	IP55
Motor poles	2
Insulation class	F
Motor power (KW)	1.5kW
Motor model	YX3-90S-2
Frequency	50Hz
Rated voltage (V)	380V

	<b>Product Information</b>  <b>LVR3-17</b>	Manufacturer	LEO
		Address	China,Zhejiang,Wenling
		Contact	
		Date	
<b>Project Name</b>		Client Name	LEO Sibir LLC
		Client Addr.	Novosibirsk
<b>Item NO</b>		Contacts	
		Contact	

Rated current (A)	3.3A
Efficiency class	IE2
Power factor	0.84
Efficiency (%)	
<b>Weight/Packaging</b>	
Net weight (kg)	37.63
Gross weight (kg)	45.03
Package size	908*280*305mm
	

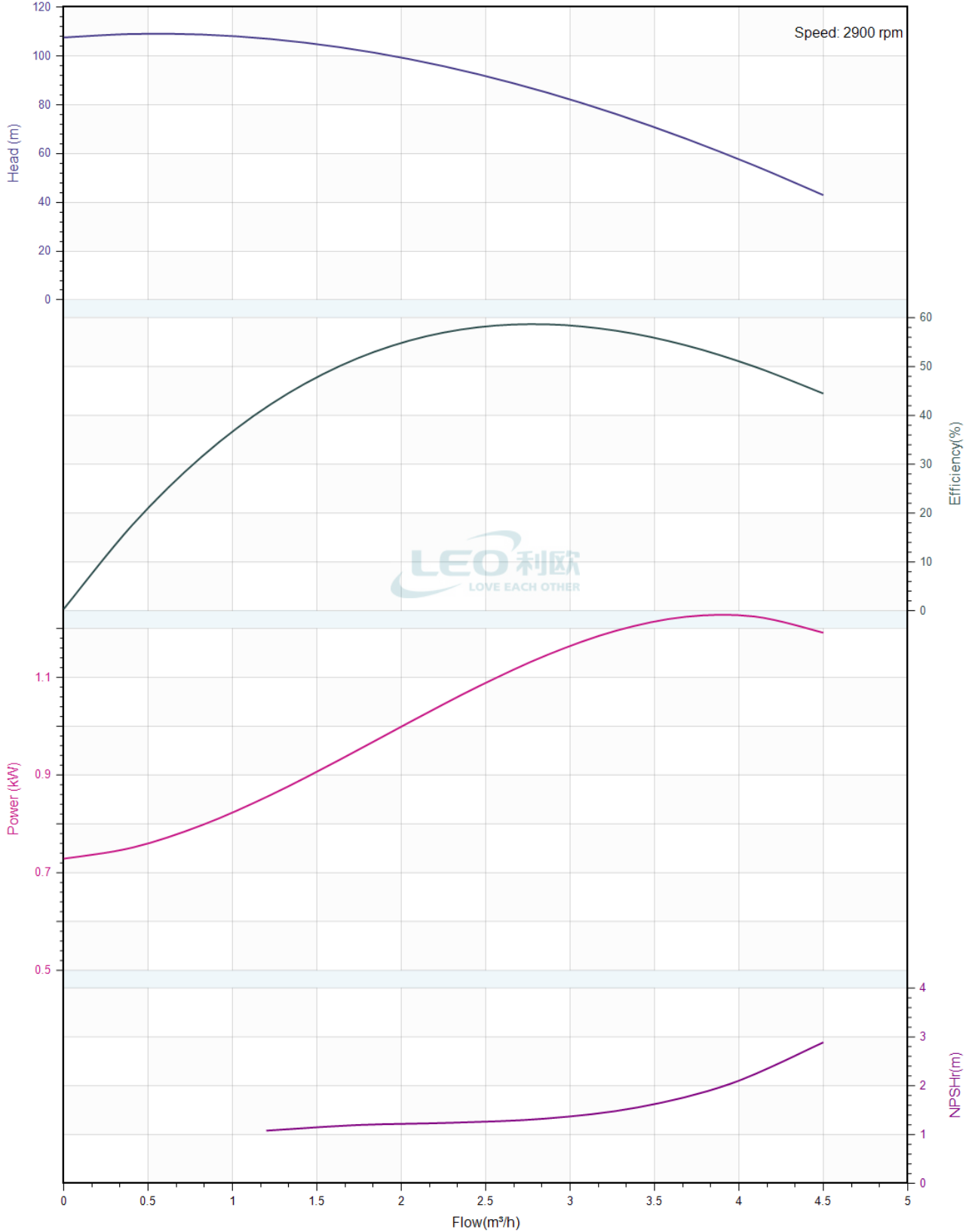


# Performance Curve LVR3-17

Manufacturer	LEO
Address	China,Zhejiang,Wenling
Contact	
Date	
Client Name	LEO Sibir LLC
Client Addr.	Novosibirsk
Contacts	
Contact	

Project Name	
Item NO	

The hydraulic performance curve have been tested with Clean Water at 20°C, density 1000kg/m<sup>3</sup>, and at 1bar atmospheric pressure. GB32162016 Grande 3B





# Pump Technical Parameters

## LVR3-17

Manufacturer: LEO  
Address: China,Zhejiang,Wenling  
Contact:   
Date:

Project Name

Client Name: LEO Sibir LLC  
Client Addr.: Novosibirsk

Item NO

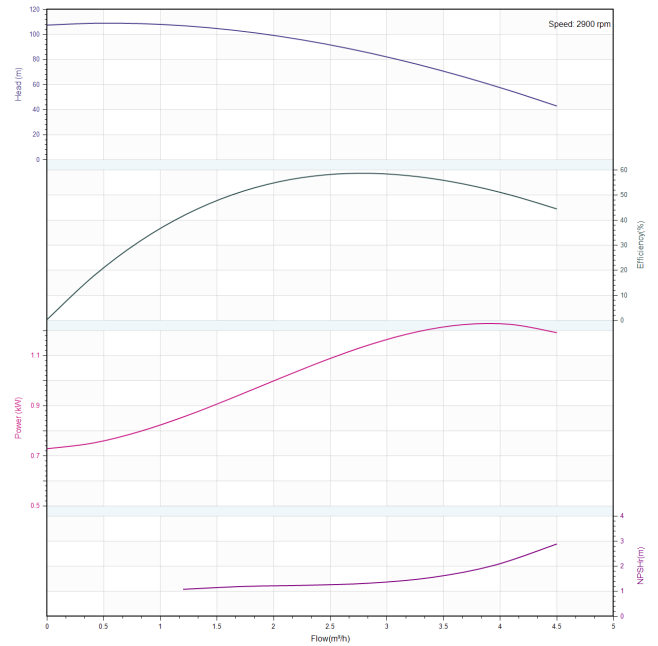
Contacts:   
Contact:

### Rated parameters

Pump model	LVR3-17
Part NO.	50005567
Rated flow	3 m <sup>3</sup> /h
Rated head	78 m
Rated efficiency (%)	55
Power (kW)	1.16
Speed (rpm)	2900

### Medium

Pumped medium	Clean Water
Working temperature (°C)	20
Medium density (kg/m <sup>3</sup> )	1000
Viscosity (mm <sup>2</sup> /s)	1



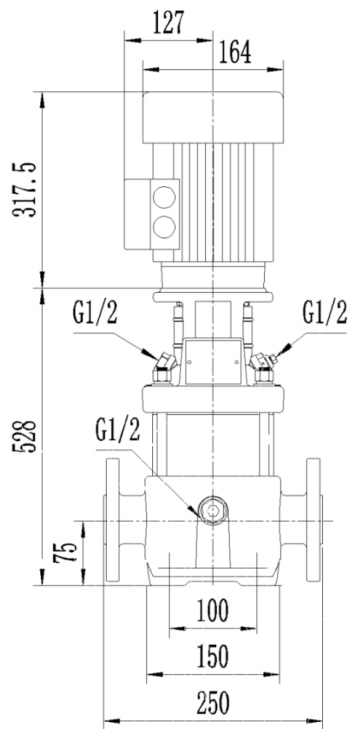


# Dimension Drawing LVR3-17

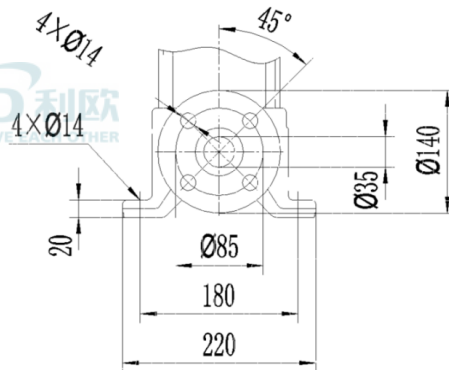
Manufacturer	LEO
Address	China,Zhejiang,Wenling
Contact	
Date	
Client Name	LEO Sibir LLC
Client Addr.	Novosibirsk
Contacts	
Contact	

Project Name

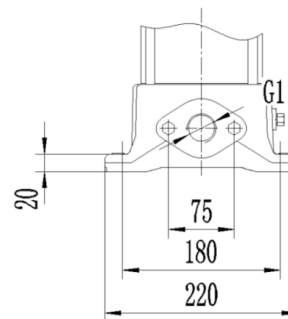
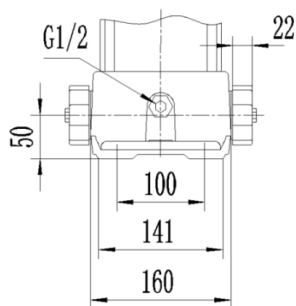
Item NO




DIN FLANGE



OVAL FLANGE



	<b>Order Data</b>  <b>LVR3-17</b>	Manufacturer	LEO
		Address	China,Zhejiang,Wenling
		Contact	
		Date	
		Client Name	LEO Sibir LLC
<b>Project Name</b>		Client Addr.	Novosibirsk
<b>Item NO</b>		Contacts	
		Contact	

Pump model                    LVR3-17  
 Part NO.                        50005567  
 Product price  
 Quantity                        1  
 Total price

Inquiry notes

