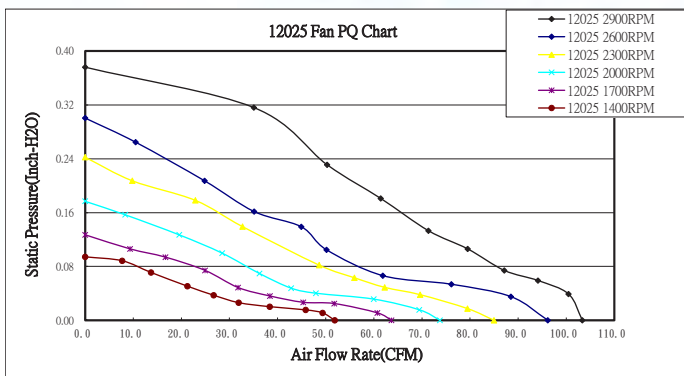


EVERCOOL

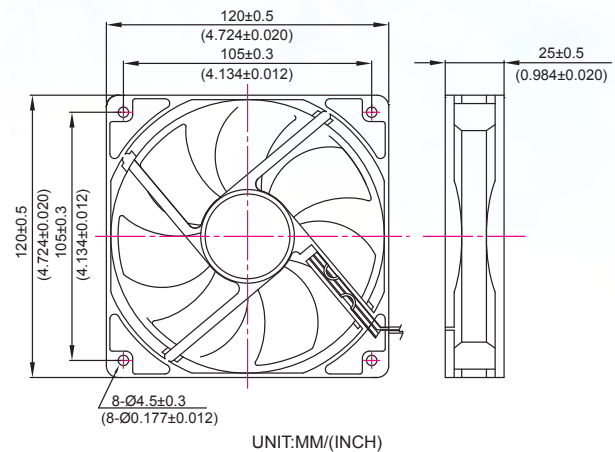
12025 series 120x120x25 mm



P&Q Curve



Dimensions Drawing



Specifications

Model	Rated Voltage (VDC)	Rated Current (AMP)	Power Consumption (WATTS)	Speed Reference (RPM)	Air Flow (CFM)	Static Pressure (Inch-H ₂ O)	Noise (dBA)
EC12025HH12X	12	0.85	10.2	2900	103.33	0.38	<47
EC12025H12X	12	0.65	7.8	2600	96.15	0.3	<43.6
EC12025M12X	12	0.4	4.8	2300	84.98	0.24	<41
EC12025L12X	12	0.32	3.84	2000	73.74	0.18	<37.2
EC12025LL12X	12	0.24	2.88	1700	63.66	0.13	<32.8
EC12025SL12X	12	0.16	1.92	1400	51.87	0.09	<29
EC12025HH24X	24	0.44	10.56	2900	103.33	0.38	<47
EC12025H24X	24	0.32	7.68	2600	96.15	0.3	<43.6
EC12025M24X	24	0.28	6.72	2300	84.98	0.24	<41
EC12025L24X	24	0.24	5.76	2000	73.74	0.18	<37.2
EC12025LL24X	24	0.2	4.8	1700	63.66	0.13	<32.8
EC12025SL24X	24	0.16	3.84	1400	51.87	0.09	<29

- ▶ Material: impeller & Frame: Plastic (UL 94V-0)
- ▶ Lead Wires: UL 1007 AWG #24 Or Equivalent
Red Wire Positive(+), Black Wire Negative(-), Yellow Wire Or Blue Wire Signal(FG)
- ▶ Function type is optional.

- ▶ The max air flow and the speed are measured in free air; max air pressure is measured at zero air flow.
- ▶ Noise is measured in anechoic chamber in free air, one meter from intake side.
- ▶ All readings are typical values at rated voltage.
- ▶ Specifications are subject to change without notice.
- ▶ Additional special function may be added according to the requirement of customer.