
	<b>Product Information</b>  <b>LVR45-2-2</b>	Manufacturer	LEO
		Address	China,Zhejiang,Wenling
		Contact	0576-89988888
		Date	2023/06/19
<b>Project Name</b>		Client Name	LEO Sibir LLC
		Client Addr.	Novosibirsk
<b>Item NO</b>		Contacts	Maksim Sokolov
		Contact	+79059301333

Part NO.	50011480
----------	----------

Product Picture	Note
	<p>LVR series vertical multistage centrifugal pump is applicable to transfer liquids without solid particles&lt;0.2mm and fiberslow viscositynon-inflammable non-explosive and not easy vaporization. Widely used in high-rise building water supply and drainageWater filtration and transportation, pipeline pressurization. High pressure flushing and cleaning system. Boiler feed water, cooling water circulation, water treatment system and other equipment supporting system. Ultrafiltration system, reverse osmosis system, distillation system, separator, swimming pool and other water treatment systems. Irrigation and drip irrigation systems in agriculture. food and beverage and fire fighting systems.</p>

### Nameplate parameters

flow	45 m <sup>3</sup> /h
head	30.5 m
speed	2900 rpm
number of stages	2

### Technical

Flow range (m <sup>3</sup> /h)	22-58m <sup>3</sup> /h
Curve tolerance	ISO 9906 Annex A
Head range (m)	

### Material

Impeller	AISI 304
Diffuser	AISI 304
Pump shaft	AISI 304
Pump flange	ZG35
Motor base	ZG35
Coupling	QT400
Pump barrel	AISI 304



### Working conditions


Medium temperature (°C)	-20°C ~ +120°C
Max. ambient temperature (°C)	+40°C
Pumped medium	Clean water
Working pressure	16bar
Maximum inlet pressure	4bar

### Installation

Connection method	DIN flange
Inlet / outlet dia.	DN80

### Motor

Motor phase	Three phase
Protection class	IP55
Motor poles	2
Insulation class	F
Motor power (KW)	5.5kW
Motor model	YX3-132S1-2
Frequency	50Hz
Rated voltage (V)	380V

	<b>Product Information</b>  <b>LVR45-2-2</b>	Manufacturer	LEO
		Address	China,Zhejiang,Wenling
		Contact	0576-89988888
		Date	2023/06/19
<b>Project Name</b>		Client Name	LEO Sibir LLC
		Client Addr.	Novosibirsk
<b>Item NO</b>		Contacts	Maksim Sokolov
		Contact	+79059301333

Rated current (A)            10.92A  
Efficiency class                IE2  
Power factor                    0.88  
Efficiency (%)

**Weight/Packaging**

Net weight (kg)                111.23  
Gross weight (kg)              124.83  
Package size                    1130\*375\*504mm





# Performance Curve

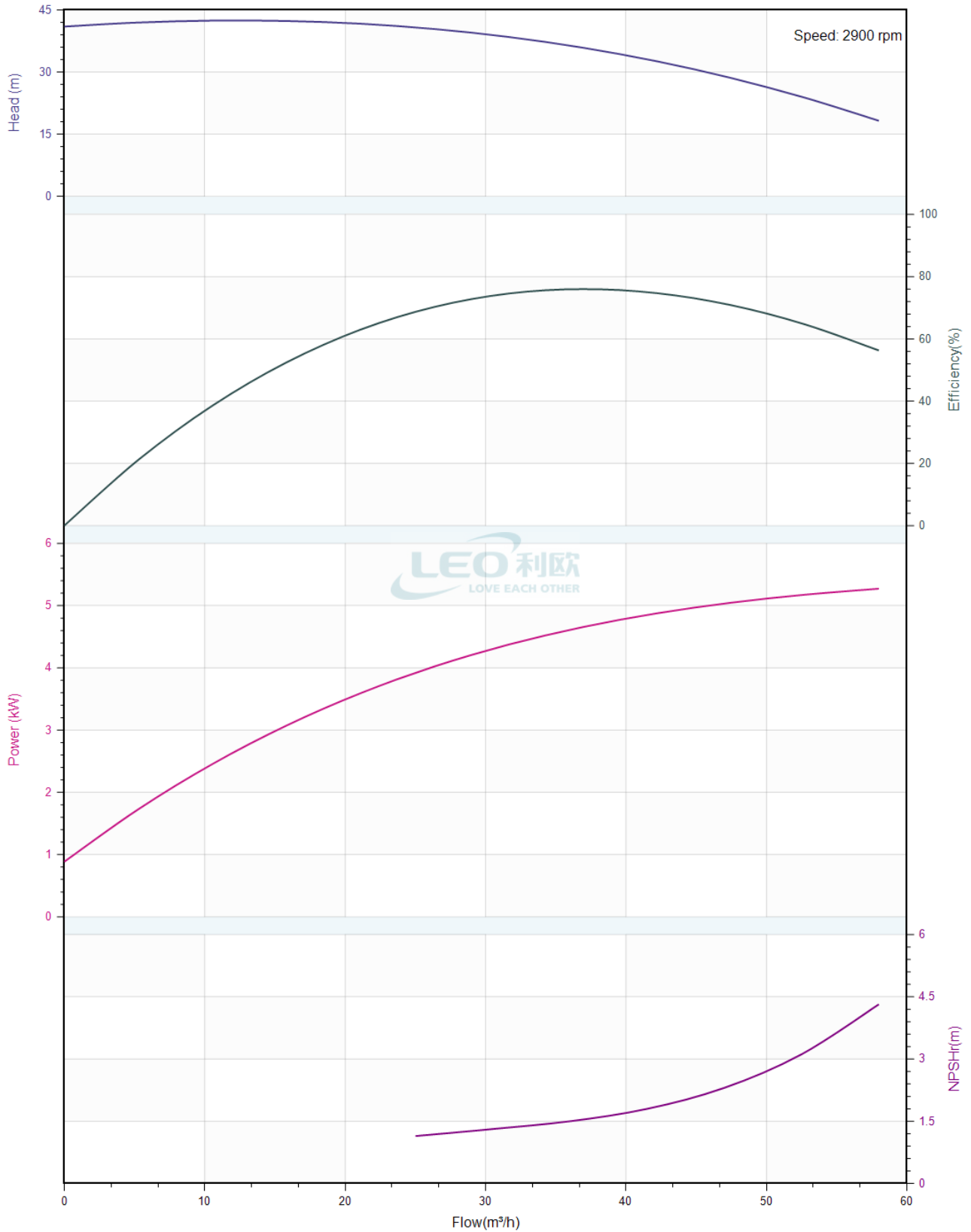
## LVR45-2-2

Manufacturer	LEO
Address	China,Zhejiang,Wenling
Contact	0576-89988888
Date	2023/06/19
Client Name	LEO Sibir LLC
Client Addr.	Novosibirsk
Contacts	Maksim Sokolov
Contact	+79059301333

Project Name

Item NO

The hydraulic performance curve have been tested with Clean Water at 20°C, density 1000kg/m<sup>3</sup>, and at 1bar atmospherical pressure. GB32162016 Grande 3B





## Pump Technical Parameters

### LVR45-2-2

Manufacturer	LEO
Address	China,Zhejiang,Wenling
Contact	0576-89988888
Date	2023/06/19
Client Name	LEO Sibir LLC
Client Addr.	Novosibirsk
Contacts	Maksim Sokolov
Contact	+79059301333

Project Name

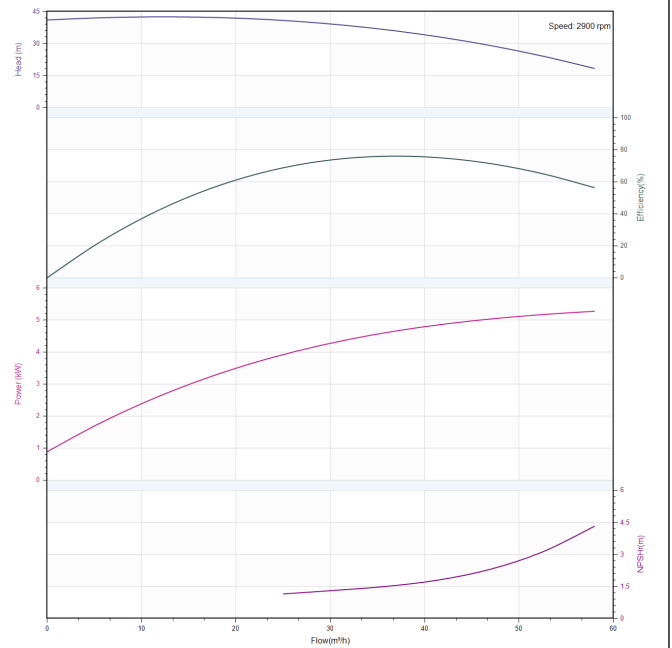
Item NO

#### Rated parameters

Pump model	LVR45-2-2
Part NO.	50011480
Rated flow	45 m <sup>3</sup> /h
Rated head	30.5 m
Rated efficiency (%)	77.5
Power (kW)	4.83
Speed (rpm)	2900

#### Medium

Pumped medium	Clean Water
Working temperature (°C)	20
Medium density (kg/m <sup>3</sup> )	1000
Viscosity (mm <sup>2</sup> /s)	1



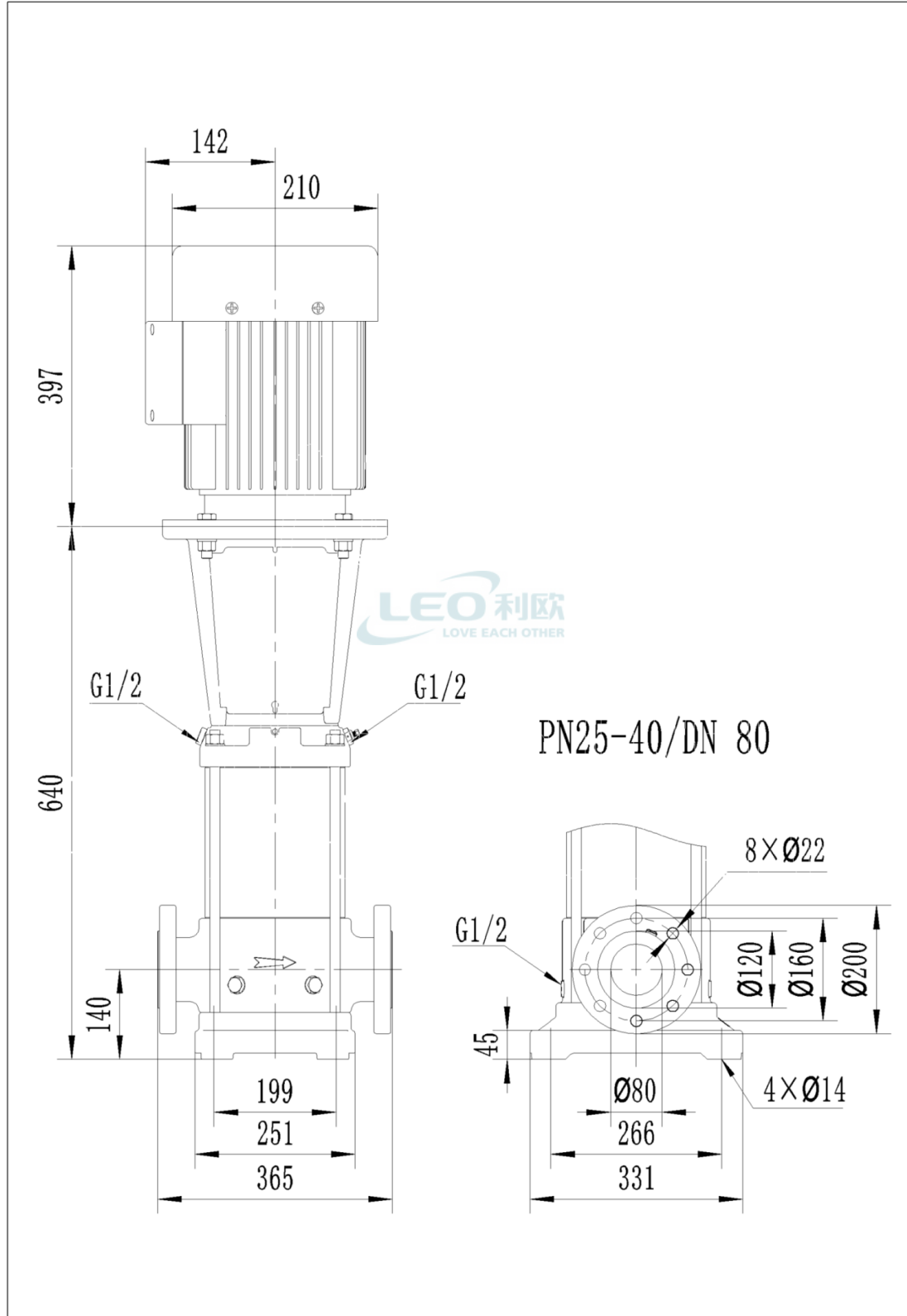



Dimension Drawing  
LVR45-2-2

Manufacturer	LEO
Address	China,Zhejiang,Wenling
Contact	0576-89988888
Date	2023/06/19
Client Name	LEO Sibir LLC
Client Addr.	Novosibirsk
Contacts	Maksim Sokolov
Contact	+79059301333

Project Name

Item NO



	<b>Order Data</b>  <b>LVR45-2-2</b>	Manufacturer	LEO
		Address	China,Zhejiang,Wenling
		Contact	0576-89988888
		Date	2023/06/19
<b>Project Name</b>		Client Name	LEO Sibir LLC
		Client Addr.	Novosibirsk
<b>Item NO</b>		Contacts	Maksim Sokolov
		Contact	+79059301333

Pump model                    LVR45-2-2  
 Part NO.                        50011480  
 Product price  
 Quantity                        1  
 Total price

Inquiry notes

