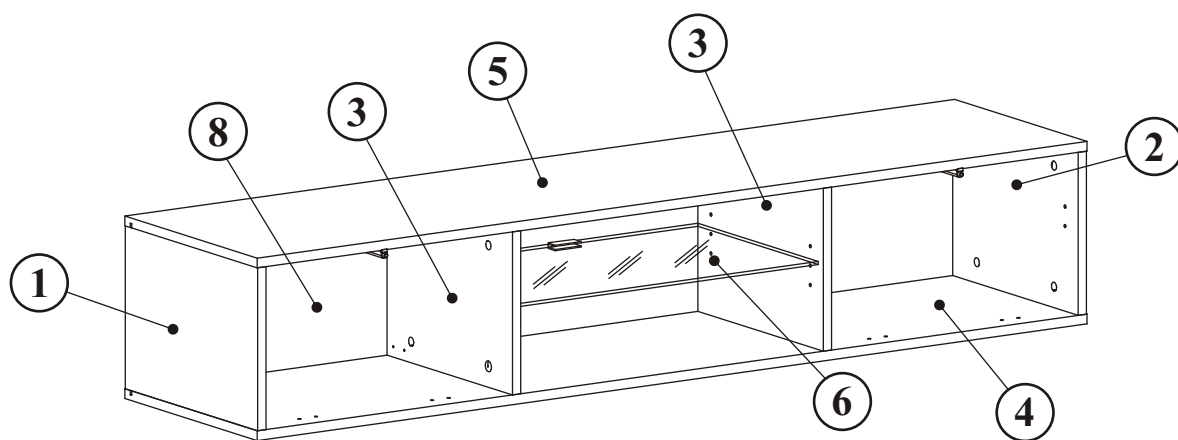
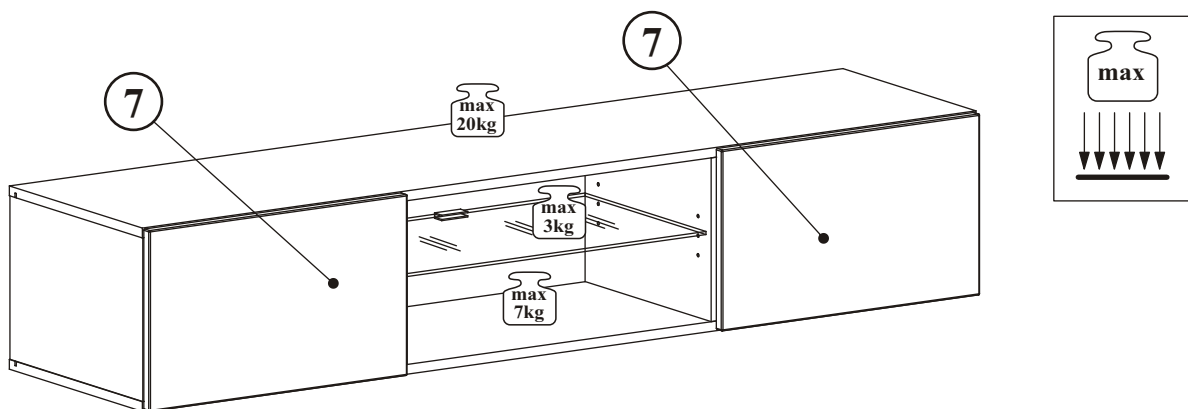
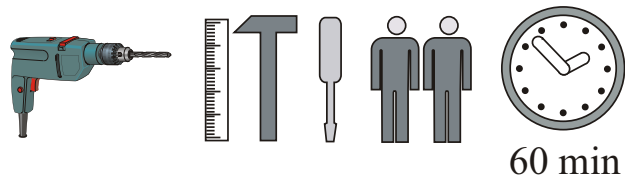


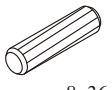
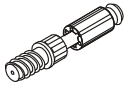


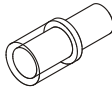

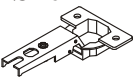
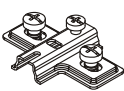
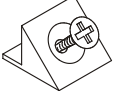



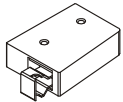
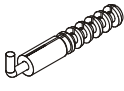
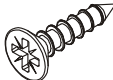

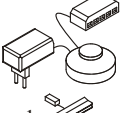
POINT TYP-33

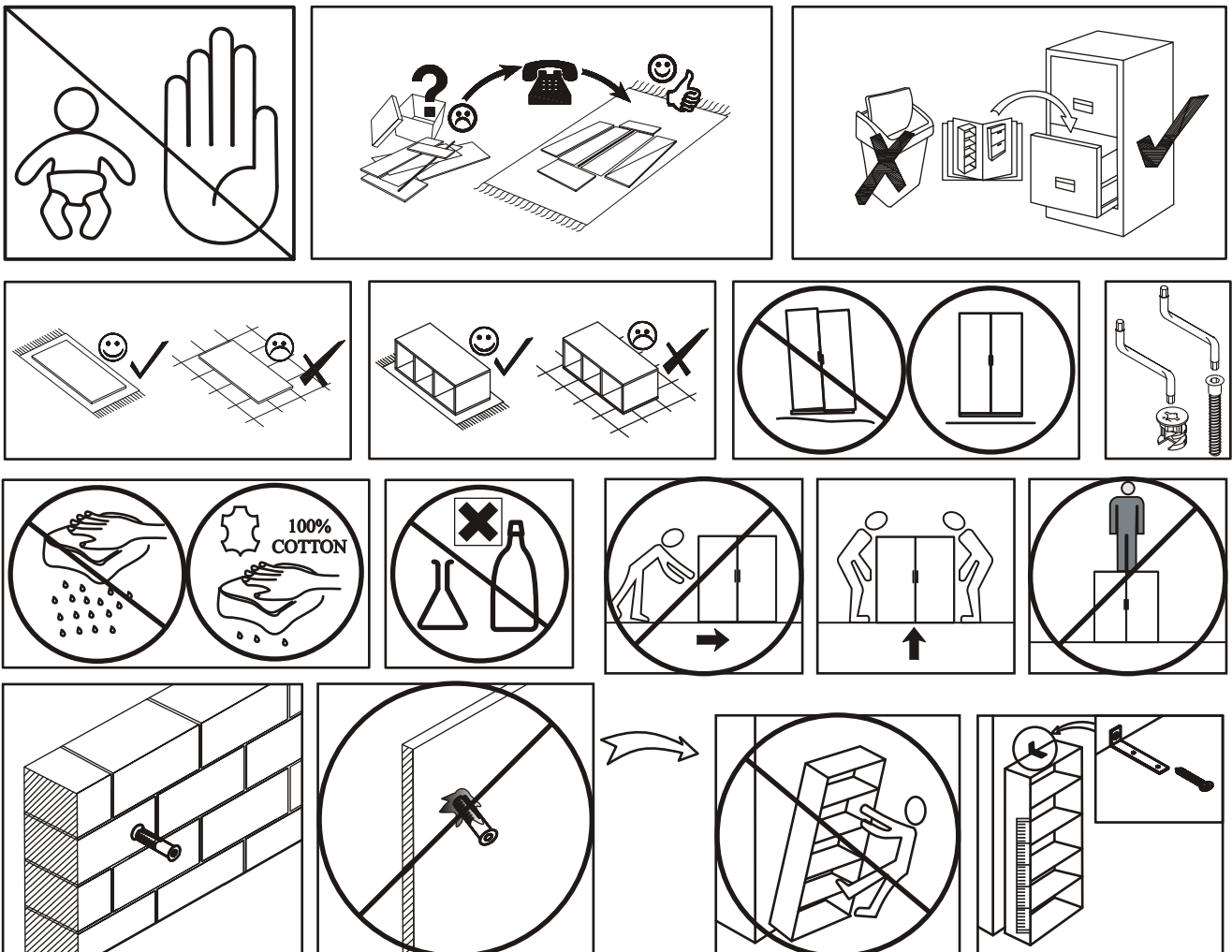
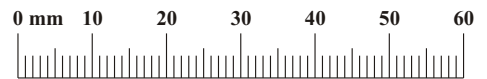


NO	Dim.		Col.-No	Qty
1	268	384	1	1
2	268	384	1	1
3	268	364	1	2
4	1602	384	1	1
5	1602	384	1	1
6	582	349	1	1
7	496	296	1	2
8	1580	280	1	1

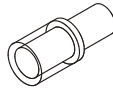


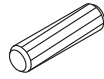
POINT TYP-33


A1 x16  ø8x36	B4 x16 	B5 x16  ø15x12	G5 x16 	G20 x4 	G2 x1 
E1 x4  Ø26 H=0	E2 x4  H=0	S1 x12 	D6 x8  USØ3,5x30	D10 x16  USØ3,5x13	G21 x2 
ZR1 x4 	KR2 x4 	D7 x6  USØ3x16	T1 x2 	LED x1  x1	



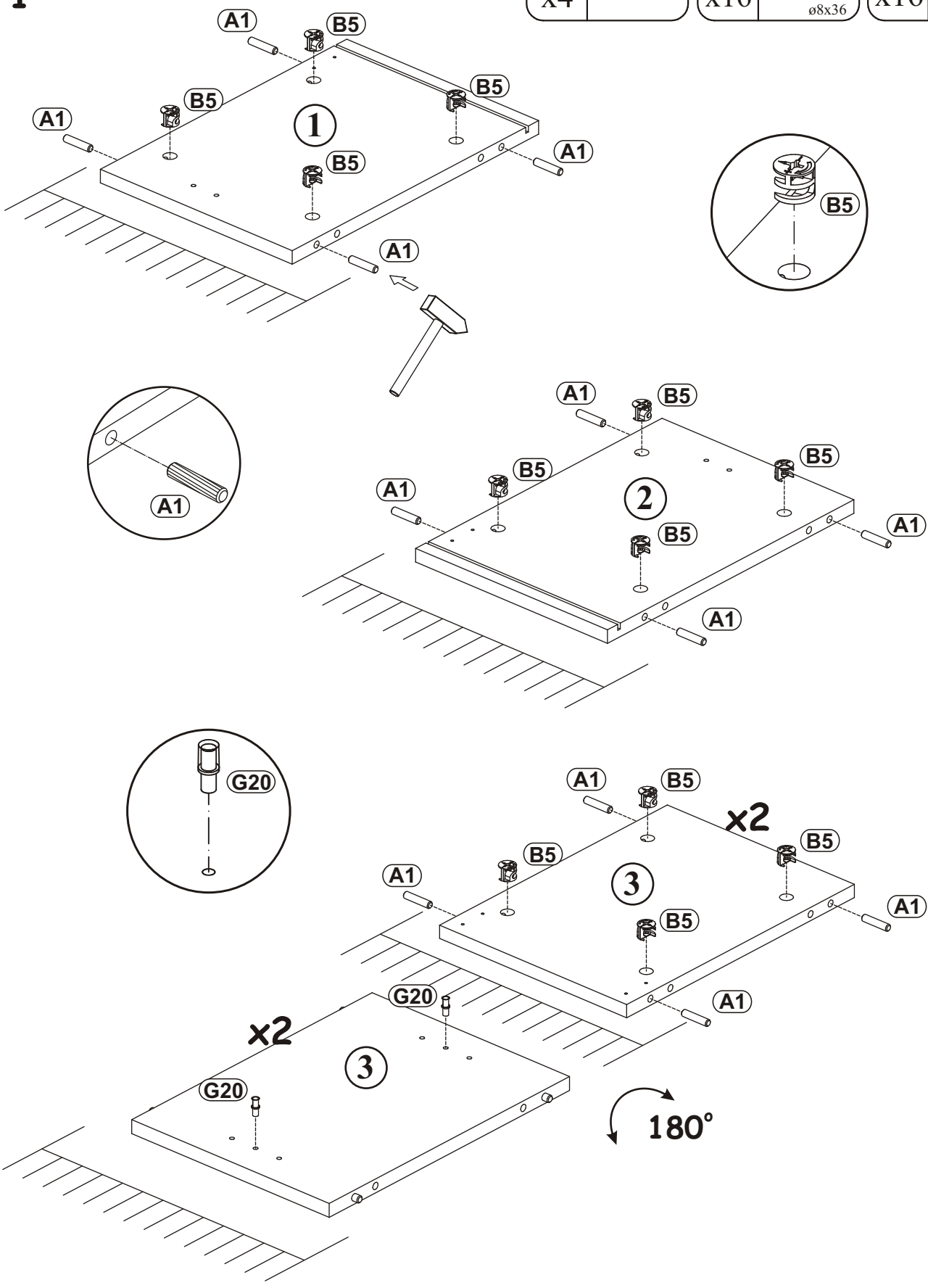
POINT TYP-33

G20	
x4	

A1	
x16	ø8x36

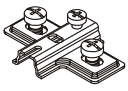
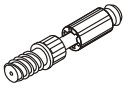
B5	
x16	ø15x12

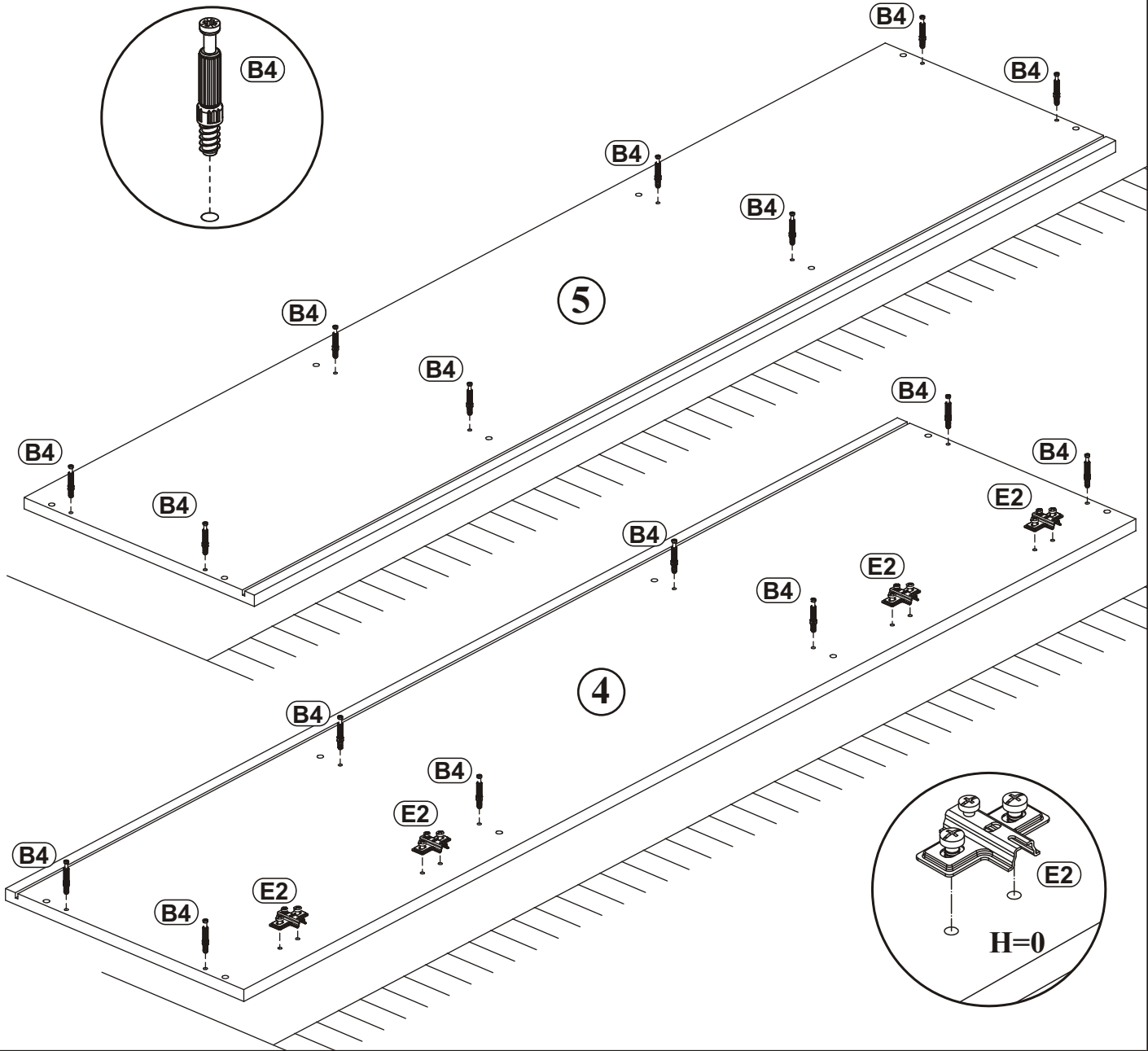
1




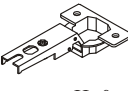
POINT TYP-33

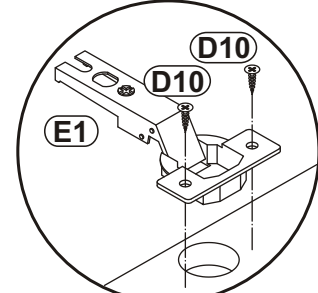
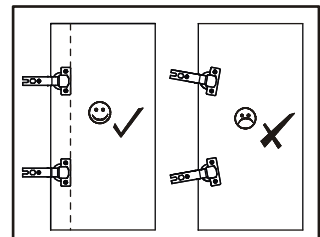
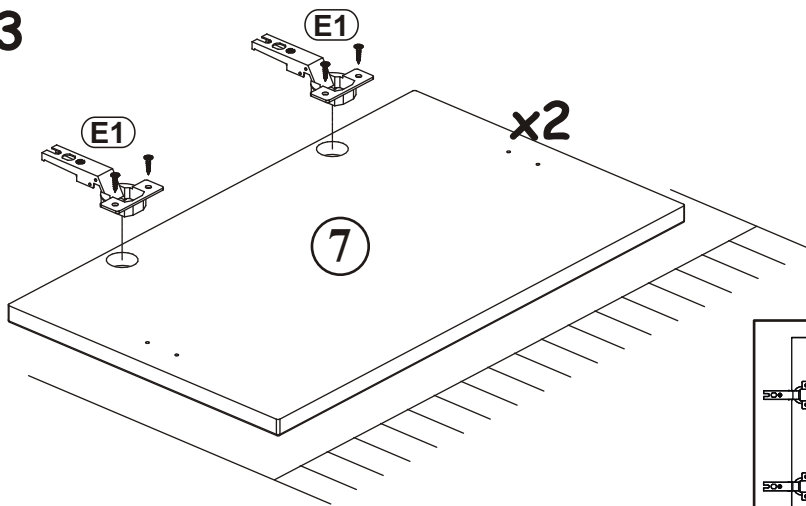
2


E2		B4	
x4	H=0	x16	



3

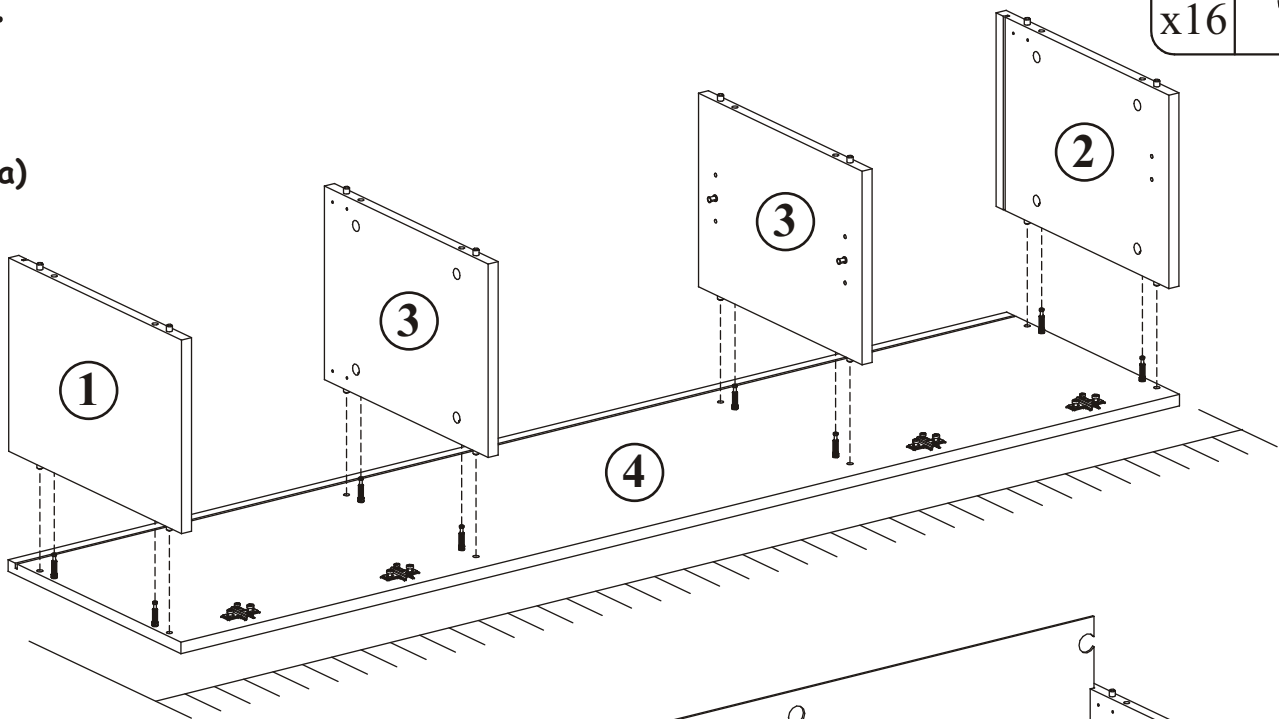
D10		E1	
x8	USØ3,5x13	x4	Ø26 H=0



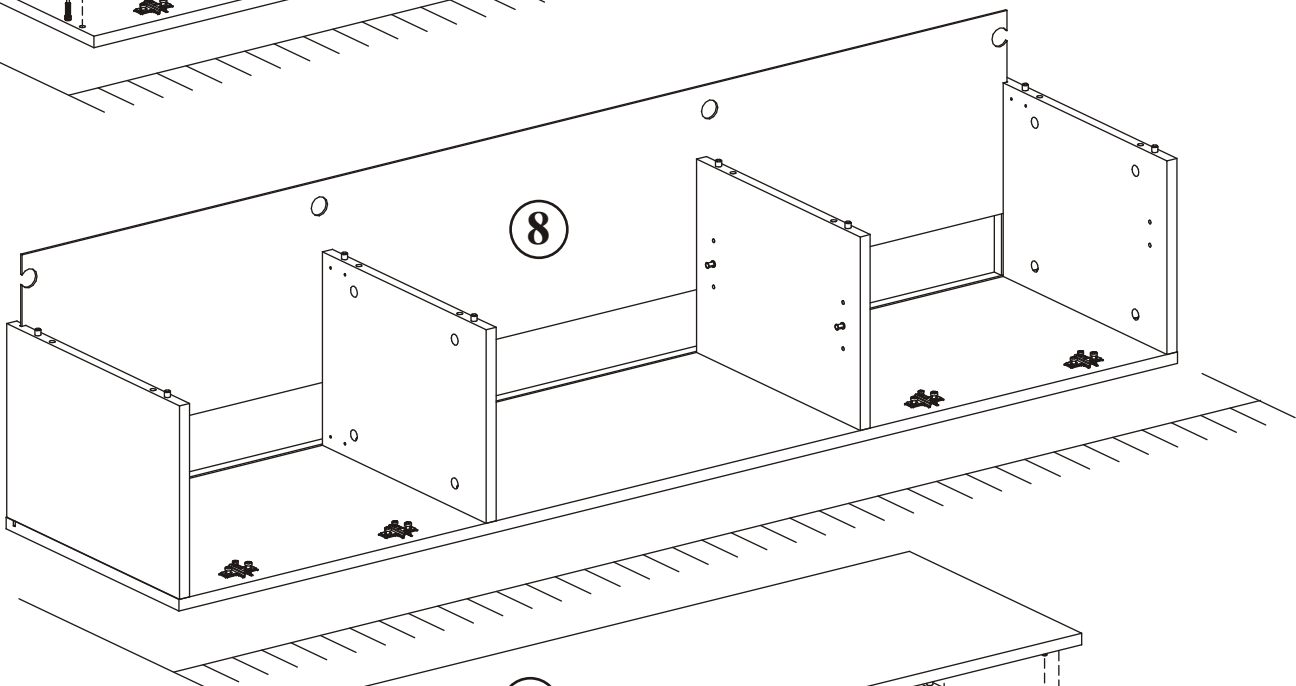
G5	
x16	

4

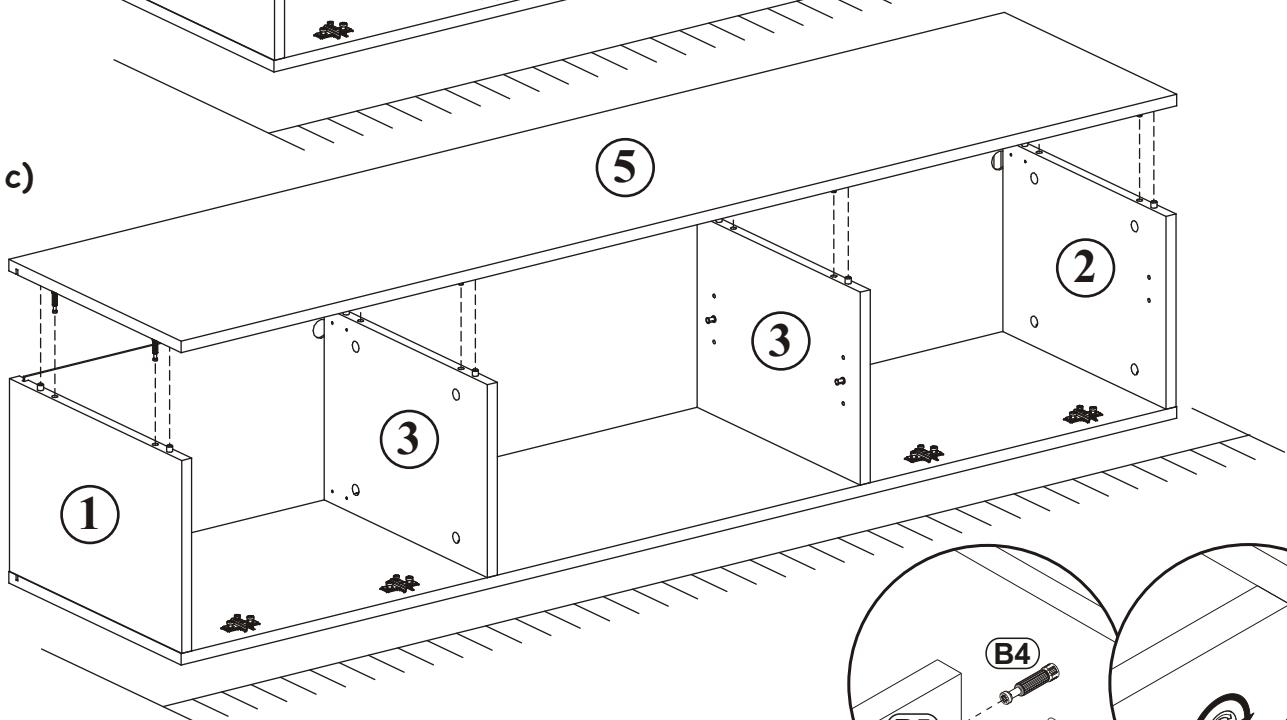
a)



b)



c)



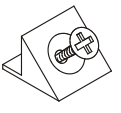
B4

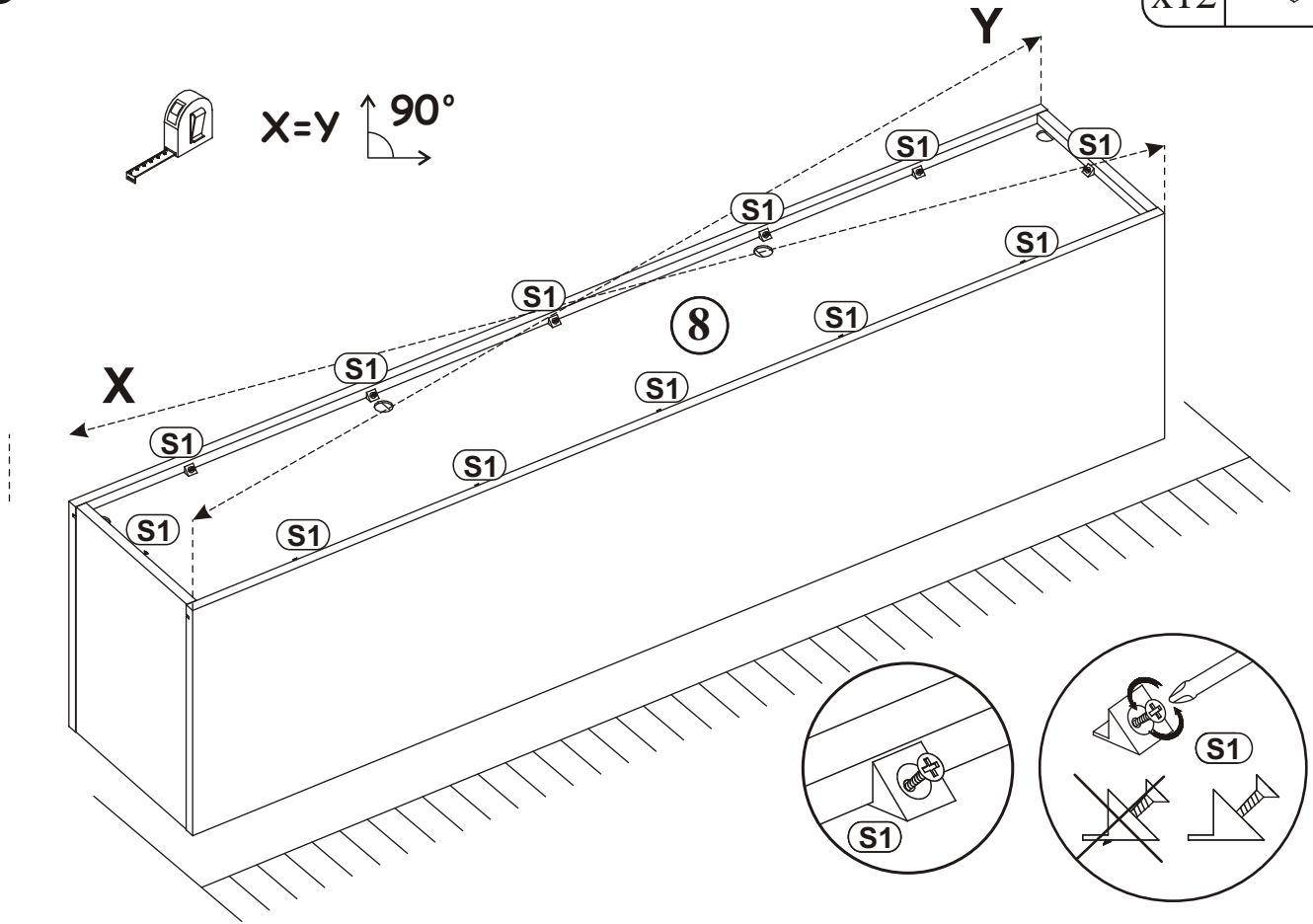
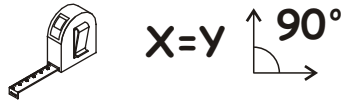
B5

G5

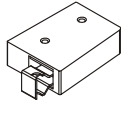
POINT TYP-33


5

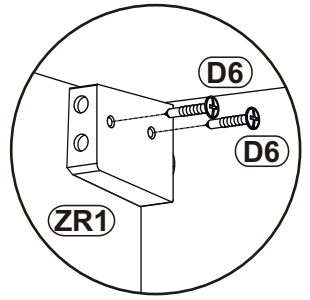
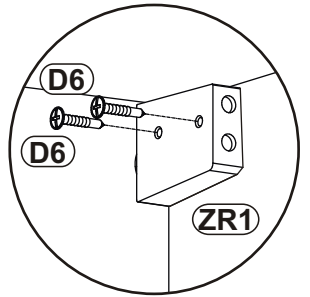
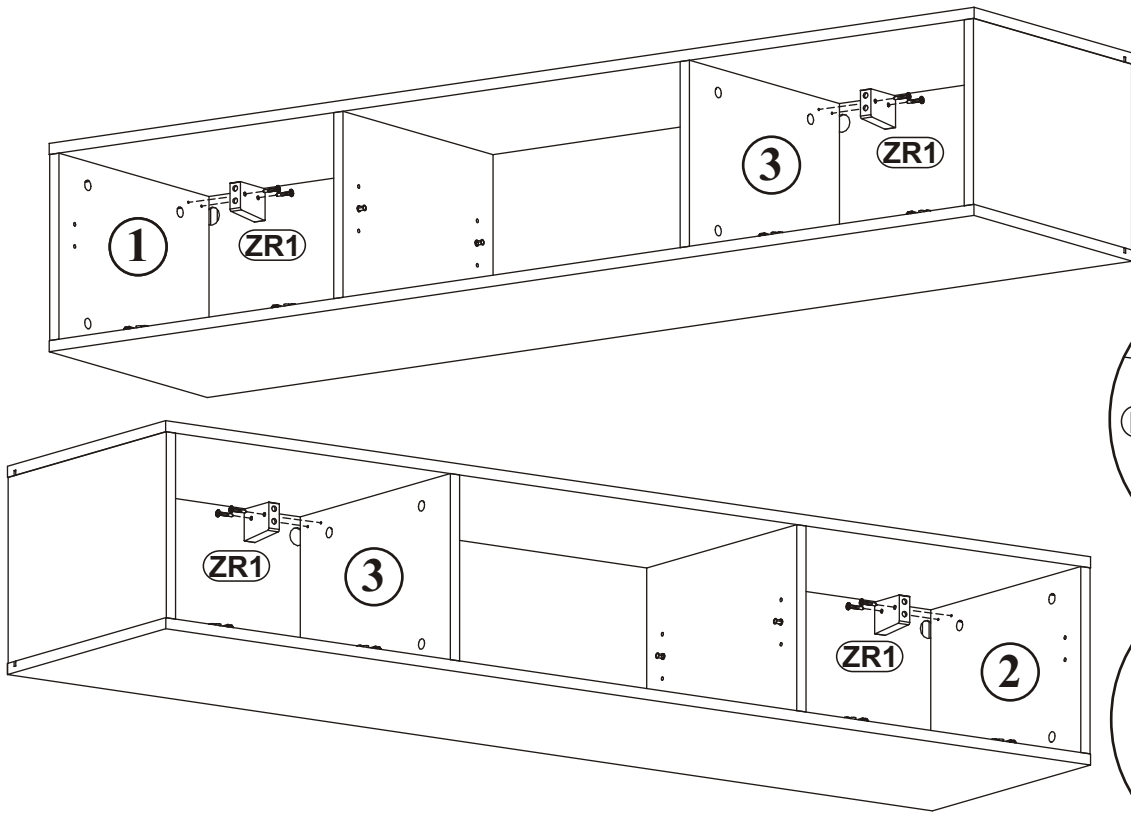
S1	
x12	





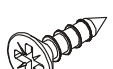
6

ZR1	
x4	

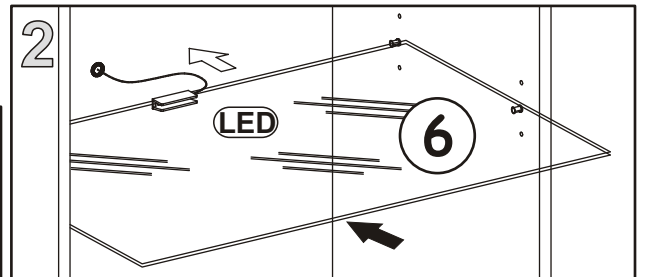
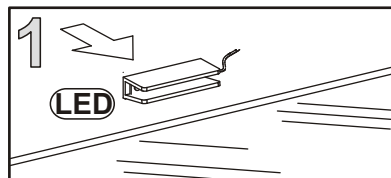
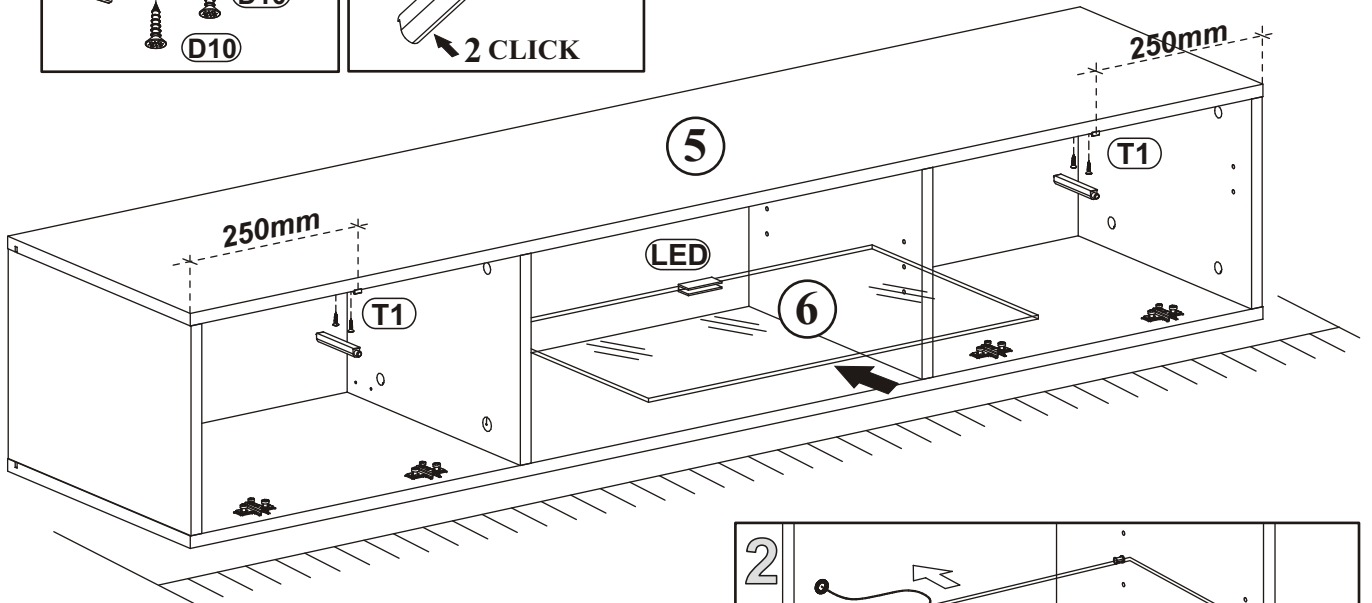
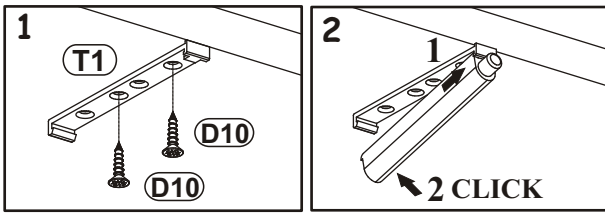
D6	
x8	USØ3,5x30



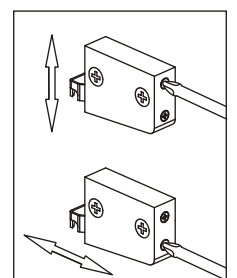
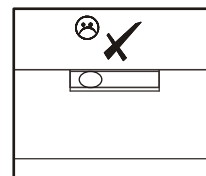
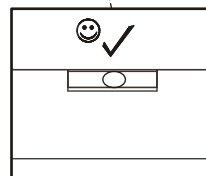
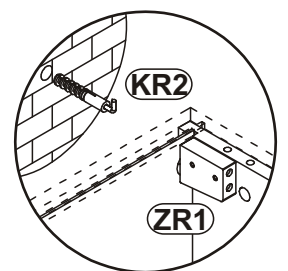
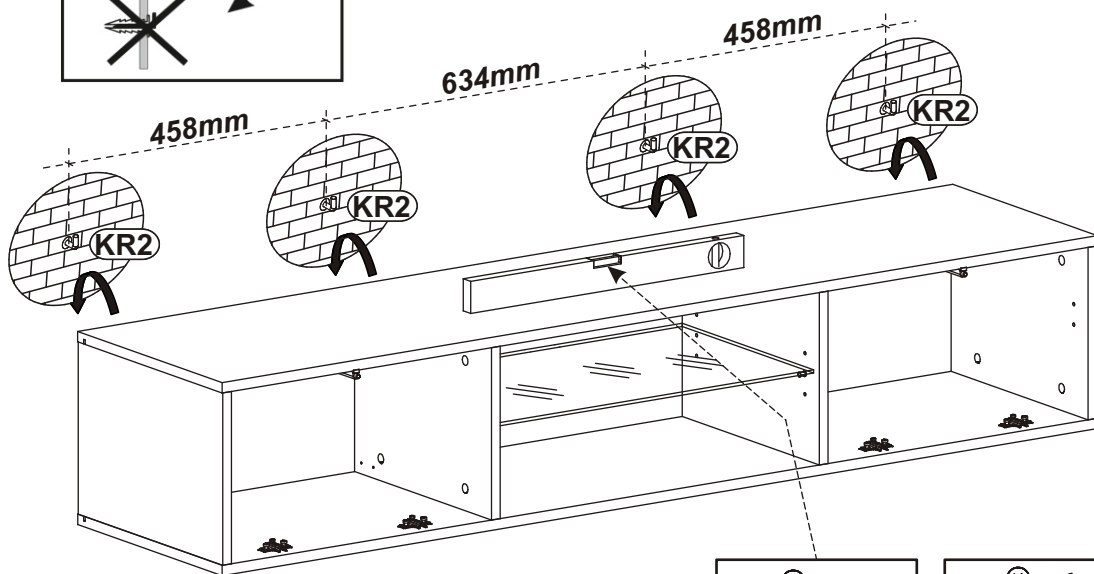
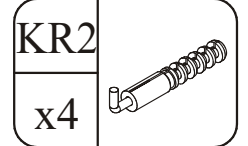
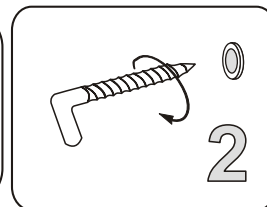
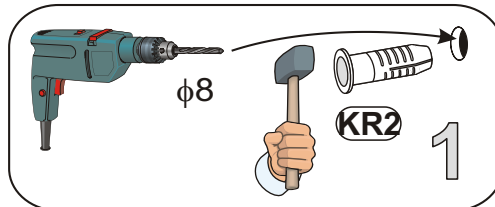
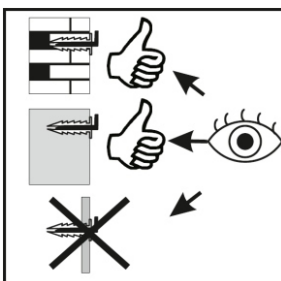
POINT TYP-33

T1		LED		D10	
x2		x1	x1	x4	USØ3,5x13

7

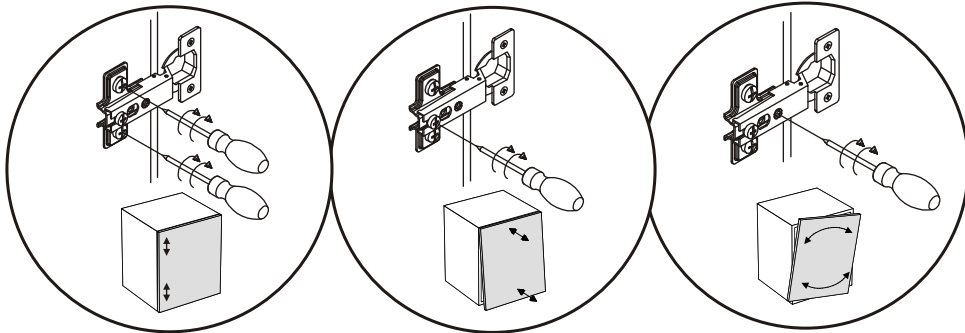
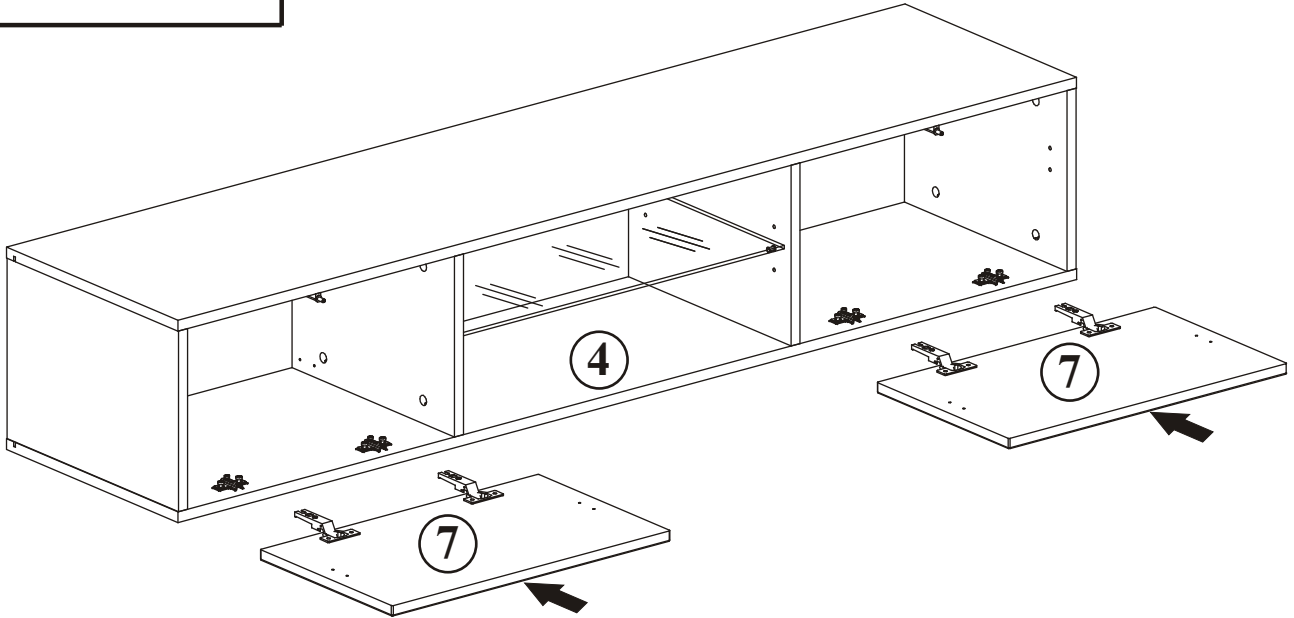


8



POINT TYP-33

9



10

