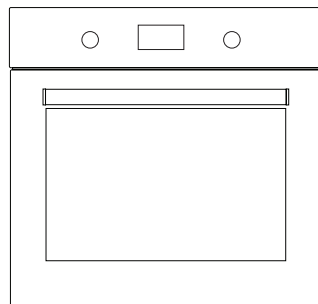


**Gaz and electric  
buit-in oven, 60 cm**

**Духовые шкафы  
встраиваемые  
газовые и комбинированные,  
60 см**

**Модели :**

**simfer**



**USER MANUAL **  
**РУКОВОДСТВО ПОЛЬЗОВАТЕЛЯ **

**Dear Customer,**

Thank you for relying on this product. We aim to allow you to optimally and efficiently use this environment-friendly product produced in our modern facilities under precise conditions with respect to sense of quality in total.

We advise you to read these operating manual thoroughly before using the oven and keep it permanently so that the features of the built-in oven you have purchased will stay the same as the first day for a long time.

**Note:** This operating manual is prepared for multiple models. Your appliance may not feature some functions specified in the manual.

The product images are schematic.

This product has been produced in modern environment-friendly facilities without adversely affecting nature.

Products marked with (\*) are optional.


**“Complies with WEEE Regulation”**

## Contents

Important warnings.....	4
Electrical connection.....	14
Gas connection.....	15
Introducing the appliance.....	19
Accessories.....	20
Technical specifications.....	21
Installation of appliance.....	21
Control panel.....	27
Using the oven.....	29
Using the grill.....	30
Using the grill deflector sheet.....	30
Lighting the oven manuell.....	31
Using the chicken roasting.....	31
Program types.....	32
Cooking recommendations.....	32
Cooking table.....	33
Maintenance and cleaning.....	34
Cleaning oven glass.....	34
Cleaning and mounting oven door.....	35
Catalytic panel.....	36
Rack positions.....	36
Replacing oven lamp.....	37
Troubleshooting.....	38
Handling rules.....	40
Recommendations for energy saving.....	40
Environmentally-friendly disposal.....	41
Package information.....	41

## IMPORTANT WARNINGS

1. Installation and repair should always be performed by **“AUTHORIZED SERVICE”**. Manufacturer shall not be held responsible for operations performed by unauthorized persons.
2. Please read this operating instructions carefully. Only by this way you can use the appliance safely and in a correct manner.
3. The oven should be used according to operating instructions.
4. Keep children below the age of 8 and pets away when operating.
5. **The accessible parts may be hot during use. Young children must be kept away.**
6. **WARNING: Danger of fire: do not store items on the cooking surfaces.**
7. **WARNING: During use the appliance becomes hot. Care should be taken to avoid touching heating elements inside the oven.**
8. Setting conditions of this device are specified on the label. (Or on the data plate)
9. The accessible parts may be hot when the grill is used. Small children should be kept away.
10. **WARNING: This appliance is intended for cooking. It should not be used for other purposes like heating a room.**
11. To clean the appliance, do not use steam cleaners.



**12.** Ensure that the oven door is completely closed after putting food inside the oven.

**13.** NEVER try to put out the fire with water. Only shut down the device circuit and then cover the flame with a cover or a fire blanket.

**14. WARNING: Children less than 8 years of age shall be kept away unless continuously supervised.**

**15.** Touching the heating elements should be avoided.

**16. CAUTION: Cooking process shall be supervised. Cooking process shall always be supervised.**

**17.** This appliance can be used by children aged from 8 years and above and persons with reduced physical, sensory or mental capabilities or lack of experience and knowledge if they have been given supervision or instruction concerning use of the appliance in a safe way and understand the hazards involved. Children shall not play with the appliance. Cleaning and user maintenance shall not be made by children without supervision.

**18.** This device has been designed for household use only.

**19.** Children must not play with the appliance. Cleaning or user maintenance of the appliance shall not be performed by children unless they are older than 8 years and supervised by adults.

**20.** Keep the appliance and its power cord away from children less than 8 years old.

**21.** Put curtains, tulle, paper or any flammable (ignitable) material away from the appliance before starting to use the appliance. Do not put ignitable or flammable materials on or in the appliance.

**22.** Keep the ventilation channels open.

**23.** The appliance is not suitable for use with an external timer or a separate remote control system.

**24.** Do not heat closed cans and glass jars. The pressure may lead jars to explode.

**25.** Oven handle is not a towel drier. Do not hang towels, etc. on the oven handle.

**26.** Do not place the oven trays, plates or aluminium foils directly on the oven base. The accumulated heat may damage the base of the oven.

**27.** While placing food to or removing food from the oven, etc., always use heat resistant oven gloves.

**28.** Do not use the product in states like medicated and/or under influence of alcohol which may affect your ability of judgement.

**29.** Be careful when using alcohol in your foods. Alcohol will evaporate at high temperatures and may catch fire to cause a fire if it comes in contact with hot surfaces.

**30.** After each use, check if the unit is turned off.

**31.** If the appliance is faulty or has a visible damage, do not operate the appliance.

**32.** Do not touch the plug with wet hands. Do not pull the cord to plug off, always hold the plug.

**33.** Do not use the appliance with its front door glass removed or broken.

**34.** Place the baking paper together with the food into a pre-heated oven by putting it inside a cooker or on an oven accessory. (tray, wire grill etc.)

**35.** Do not put objects that children may reach on the appliance.

**36.** It is important to place the wire grill and tray properly on the wire racks and/or correctly place the tray on the rack. Place the grill or tray between two rails and make sure it is balanced before putting food on it.

**37.** Against the risk of touching the oven heater elements, remove excess parts of the baking paper that hang over from the accessory or container.

**38.** Never use it at higher oven temperatures than the maximum usage temperature indicated on your baking paper. Do not place the baking paper on the base of the oven. Against the risk of touching the oven heater elements, remove excess parts of the baking paper that hang over from the accessory or container.

**39.** When the door is open, do not place any heavy object on the door or allow children to sit on it. You may cause the oven to overturn or the door hinges to be damaged.

**40.** The packaging materials are dangerous for children. Keep packaging materials away from the reach of children.

**41.** Do not use abrasive cleaners or sharp metal scrapers to clean the glass as the scratches that may occur on the surface of the door glass may cause the glass to break.

**42.** User should not handle the oven by himself.

**43.** During usage, the internal and external surfaces of the oven get hot. As you open the oven door, step back to avoid the hot vapour coming out from the interior. There is risk of burning.

**44.** Do not place heavy objects when oven door is open, risk of toppling.

**45.** Oven supply can be disconnected during any construction work at home. After completing the work, re-connecting the oven shall be done by authorized service.

**46.** User should not dislocate the resistance during cleaning. It may cause an electric shock.

**47.** To prevent overheating, the appliance should not be installed behind of a decorative cover.

**48.** Turn off the appliance before removing the safeguards. After cleaning, install the safeguards according to instructions.

**49.** Cable fixing point shall be protected.

**50.** Please don't cook the food directly on the tray / grid. Please put the food into or on appropriate tools before putting them in the oven.



## Electrical Safety

1. Plug the appliance in a grounded socket protected by a fuse conforming to the values specified in the technical specifications chart.
2. Have an authorized electrician set grounding equipment. Our company shall not be responsible for the damages that shall be incurred due to using the product without grounding according to local regulations.
3. The circuit breaker switches of the oven shall be placed so that end user can reach them when the oven is installed.
4. The power supply cord (the cord with plug) shall not contact the hot parts of the appliance.
5. If the power supply cord (the cord with plug) is damaged, this cord shall be replaced by the manufacturer or its service agent or an equally qualified personnel to prevent a hazardous situation.
6. Never wash the appliance by spraying or pouring water on it. There is a risk of electrocution.
7. **WARNING: To avoid electric shock, ensure that the device circuit is open before changing the lamp.**
8. **WARNING: Cut off all supply circuit connections before accessing the terminals.**
9. Do not use cut or damaged cords or extension cords other than the original cord.
10. Make sure that there is no liquid or humidity in the outlet where the product plug is installed.

**11.** The rear surface of the oven also heats up when the oven is operated. Electrical connections shall not touch the rear surface, otherwise the connections may be damaged.

**12.** Do not tighten the connecting cables to the oven door and do not run them over hot surfaces. If the cord melts, this may cause the oven to short circuit and even a fire.

**13.** Unplug the unit during installation, maintenance, cleaning and repair.

**14.** If the power supply cable is damaged, it must be replaced by its manufacturer or authorized technical service or any other personnel qualified at the same level, in order to avoid any dangerous situation.

**15.** Make sure the plug is inserted firmly into wall socket to avoid sparks.

**16.** Do not use steam cleaners for cleaning the appliance, otherwise electric shock may occur.

**17.** An omnipolar switch capable to disconnect power supply is required for installation. Disconnection from power supply shall be provided with a switch or an integrated fuse installed on fixed power supply according to building code.

**18.** Appliance is equipped with a **type "Y"** cord cable.

**19.** Fixed connections shall be connected to a power supply enabling omnipolar disconnection. For appliances with over voltage category below III, disconnection device shall be connected to fixed power supply according to wiring code.

## Gas Safety

**1.** This appliance is not connected to burning products evacuation apparatus. This appliance must be connected and installed according to the installation regulations in force. Conditions regarding ventilation must be considered.

**2.** When a gas cooking appliance is used; humidity, heat and burning products are generated in the room. First of all, make sure the kitchen is well ventilated when operating the appliance and maintain natural ventilation openings or install a mechanical ventilation equipment.

**3.** After using the appliance heavily for an extended period of time, additional ventilation may be required. For example open a window or adjust a higher speed for mechanical ventilation, if any.

**4.** This appliance must be used only in well ventilated locations in accordance with the regulations in force. Please read the manual before installing or using this product.

**5.** Before positioning the appliance, make sure local network conditions (gas type and gas pressure) meets appliance requirements.

**6.** All kinds of operations to be performed on gas installation must be performed by authorized and competent people.

**7.** This appliance is adjusted for natural gas (NG). If you have to use your product with a different gas type, you have to apply to authorized service for the conversion.

8. For proper operation, hood, gas pipe and clamp should be replaced periodically according to manufacturer recommendations and when required.

9. Gas should burn well in gas products. Well burning gas can be understood from blue flame and continuous burning. If gas does not burn sufficiently, carbon monoxide (CO) can be generated. Carbon monoxide is a colourless, odourless and very toxic gas; even small amounts have lethal effect.

10. Ask your local gas supplies about the phone numbers for emergencies related to gas and the measures to be taken upon gas odour is detected.

### **What To Do When Gas Odour Is Detected**

1. Do not use naked flame, and do not smoke.
2. Do not operate any electrical switch.  
(For example: lamp switch or doorbell)
3. Do not use telephone or mobile phone.
4. Open the doors and windows.
5. Close all valves on the appliances that utilize gas and the gas counters.
6. Call fire brigade from a telephone outside the home.
7. Check all hoses and their connections against leaks.  
If you still smell gas, leave the house and warn your neighbours.
8. Do not enter into the house until authorities clarify it is safe.



## **Intended Use**

**1.** This product has been designed for domestic use. Commercial use is not permitted.

**2.** This appliance may only be used for cooking purposes. It shall not be used for other purposes like heating a room.

**3.** This appliance shall not be used to heat plates under the grill, drying clothes or towels by hanging them on the handle or for heating purposes.

**4.** The manufacturer assumes no responsibility for any damage due to misuse or mishandling.

**5.** Oven part of the unit may be used for thawing, roasting, frying and grilling food.

**6.** Operational life of the product you have purchased is 10 years. This is the period for which the spare parts required for the operation of this product as defined is provided by the manufacturer.

## Electrical Connection

This oven must be installed and connected to its place correctly according to manufacturer instructions and by an authorized service.

Appliance must be installed in an oven enclosure providing high ventilation.

Electrical connections of the appliance must be made only via sockets having earth system furnished in compliance with rules. Contact an authorized electrician if there is no socket complying with the earthed system at where appliance will be placed. Manufacturing company is by no means responsible for damage resulting from connection of non-earthed sockets to appliance.

Plug of your oven must be earthed; ensure that socket for the plug is earthed. Plug must be located in a place that can be accessed after installation.

Your oven has been manufactured as 220-240 V 50/60 Hz. AC power supply compliant and requires a 16 Amp fuse. If your power network is different that these indicated values, refer to an electrician or your authorized service.

When you need to replace the electrical fuse, please ensure that electrical connection is made as follows:

- Phase (to live terminal) brown cable
- Blue cable to neutral terminal
- Yellow-green cable to earth terminal

Oven disconnecting switches must be in an accessible place for final user while oven is in its place.

Power supply cable (plug in cable) mustn't touch hot parts of the appliance.

If supply cord (plug in cable) is damaged, this cord must be replaced by the importer or its service agent or an equally competent personnel to prevent a hazardous situation.

## Gas Connection

**WARNING:** Before starting any work related with gas installation, turn off gas supply. Risk of explosion.

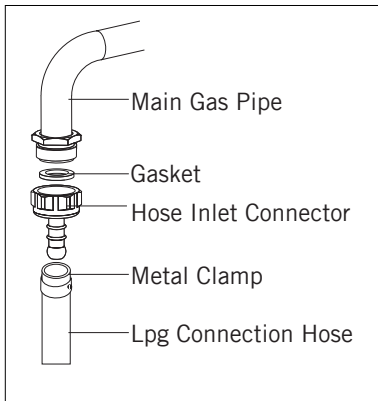
**WARNING:** Gas hose and electric connection of the appliance should not pass next to hot areas such as back of the appliance. Gas hose should be connected by making wide angle turns against breaking possibility. Movement of appliance whose gas connection is made may cause gas leakage.

**WARNING:** While making gas leakage control; never use lighter, match, glowing cigarette or similar inflammable matter.

Connect your appliance to gas oven from the shortest way and in a manner to prevent any leakage. For safety, the hose used should be maximum 125 cm and minimum 40 cm.

Apply soap bubble on connection point. If any leak/leakage exists, foaming will occur on soaped region.

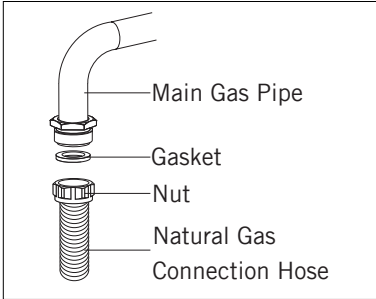
### For LPG connection;



For LPG (cylinder) connection, affix metal clamp on the hose coming from LPG cylinder. Affix an edge of the hose on hose inlet connector behind the appliance by pushing to end through heating the hose in boiled water. Afterward, bring the clamp towards end section of the hose and tighten it with screwdriver. The gasket and hose inlet connector required for connection is as the picture shown below.

**WARNING:** The regulator to be affixed on LPG cylinder should have 300 mmSS feature.

## For natural gas connection;



**WARNING:** Natural gas connection should be done by authorized service.

For natural gas connection, place gasket in the nut at the edge of natural gas connection hose. To install the hose on main gas pipe, turn the nut. Complete the connection by making gas leakage control.

## Ventilation Of Room

The air needed for burning is received from room air and the gases emitted are given directly in room. For safe operation of your product, good room ventilation is a precondition. If no window or room to be utilized for room ventilation is available, additional ventilation should be installed. However, room has a door opening outside, it is no needed to vent holes.

Room size	Ventilating opening
Smaller than 5 m <sup>3</sup>	min. 100 cm <sup>2</sup>
Between 5 m <sup>3</sup> - 10 m <sup>3</sup>	min. 50 cm <sup>2</sup>
Bigger than 10 m <sup>3</sup>	No need
In basement or cellar	min. 65 cm <sup>2</sup>



## Reduced gas flow rate setting for hob taps

1. Ignite the burner that is to be adjustment and turn the knob to the reduced position.

2. Remove the knob from the gas tap.

3. Use an appropriately sized screwdriver to adjust the flow rate adjustment screw. For LPG (butane-pro pane) turn the screw clockwise. For the naturel gas, you should turn the screw counter- clockwise once.

“The normal length of a straight flame in the reduced position should be 6-7 mm.”

4. If the flame is higher then the desired position, turn the screw clockwise. If it is smaller turn anticlockwise.

5. For the last control, bring the burner both to higt-flame and reduced positions and check whether the flame is on or off.

Depending on the type of gas tap used in your appliance the adjustment screw position may vary.

To adjust your oven acc. to the gas type, make the adjustment for reduced flame carefully by turning with a small screwdriver as shown below on the screw in the middle of the gas cocks as well as nozzle changes (figure 1 and 2)

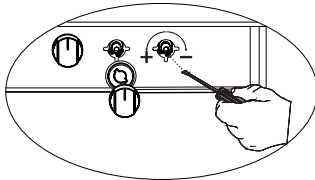


Figure 1

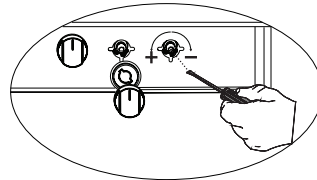


Figure 2

## Removal of the lower and upper burner and installation of the injector to the gas oven

### Removal of the upper burner:

With the help of a screw driver, remove the screw as shown in figure 3. As shown in figure 4, remove the burner from its place by pulling it to yourself. As shown in figure 5, remove the injector in the bearing with a socket wrench. In order to re-place the burner, apply the removal process reversely.

Figure 3

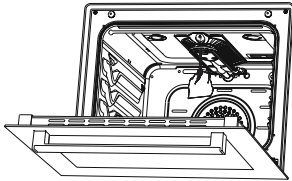


Figure 4

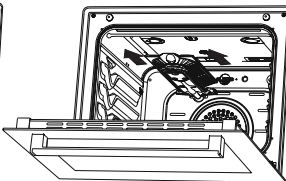
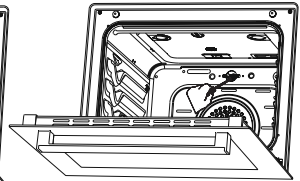


Figure 5



### Removal of the lower burner:

The lower burner door has been fixed with two screws. As shown in figure 6, remove it with the help of a screw driver. Remove the door by pulling upwards as shown in figure 7. Remove the burner from its place by pulling it to yourself as shown in figure 8. As shown in figure 9, remove the injector in the bearing with a socket wrench. In order to replace the burner, apply the removal process reversely.

Figure 6

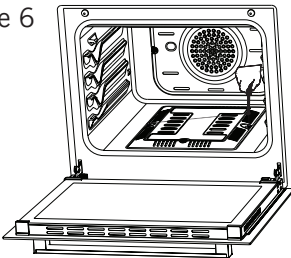


Figure 7

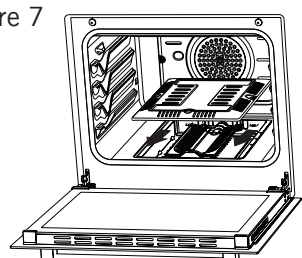


Figure 8

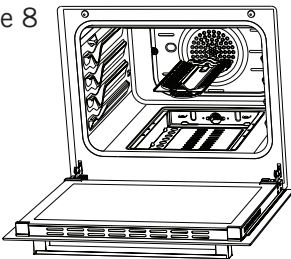
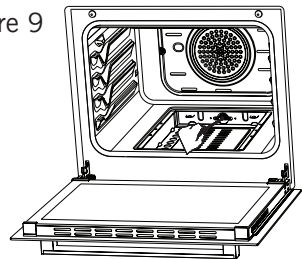
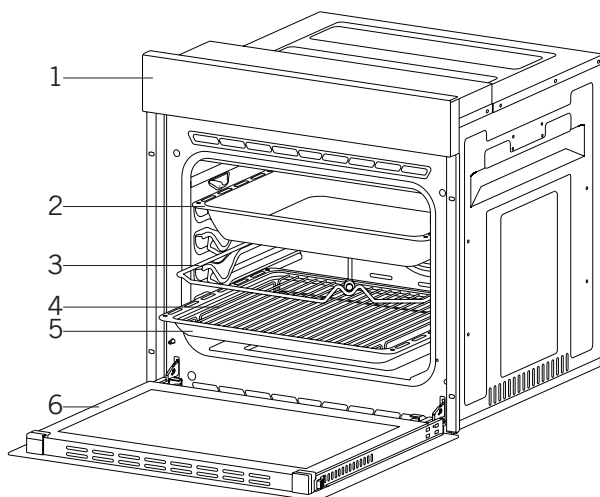


Figure 9

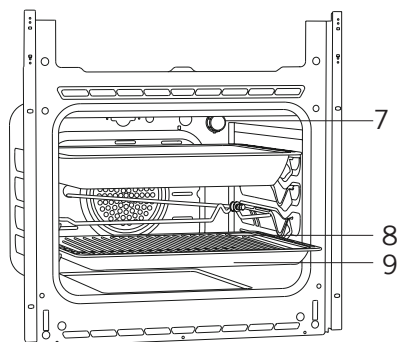


## INTRODUCING THE APPLIANCE



- 1. Control panel
- 2. Deep tray \*
- 3. Roast chicken skewer \*

- 4. In tray wire grid
- 5. Standard tray
- 6. Oven door



- 7. Lamp
- 8. In tray wire grid
- 9. Standard tray

## Accessories



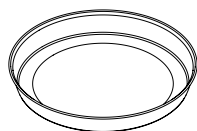
### Deep tray \*

Used for pastry, big roasts, watery foods. It can also be used as oil collecting container if you roast directly on grill with cake, frozen foods and meat dishes.



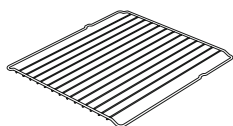
### Tray

Used for pastry (cookie, biscuit etc.), frozen foods.



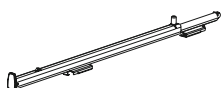
### Round tray \*

Used for pastry frozen foods.



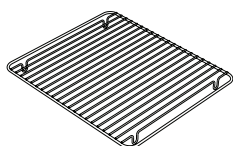
### Wire grill

Used for roasting or placing foods to be baked, roasted and frozen into desired rack.



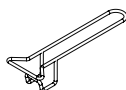
### Telescopic rail \*

Trays and wire racks can be removed and installed easily thanks to telescopic rails.



### In tray wire grill \*

Foods to stick while cooking such as steak are placed on in tray grill. Thus contact of food with tray and sticking are prevented.



### Tray handle \*

It is used to hold hot trays.

## Technical Specifications

Specifications	60 cm Built-in oven
Lamp power	15-25 W
Thermostat	100-250 / Max °C
Grill heater	2000 W
Supply voltage	220-240 V 50/60 Hz.

Burner Specifications	G20,20 mbar G25,25 mbar			G20,25 mbar		G30,28-30 mbar G31,37 mbar		G30,37 mbar		G30,50 mbar	
	Gas natural			Gas natural		LPG		LPG		LPG	
Grill burner	Injector	1,00	mm	0,92	mm	0,70	mm	0,65	mm	0,60	mm
	Gas flow	0,190	m³/h	0,190	m³/h	145	g/h	145	g/h	145	g/h
	Power	2,00	kW	2,00	kW	2,00	kW	2,00	kW	2,00	kW
Oven burner	Injector	1,10	mm	1,00	mm	0,75	mm	0,70	mm	0,65	mm
	Gas flow	0,238	m³/h	0,238	m³/h	182	g/h	182	g/h	182	g/h
	Power	2,50	kW	2,50	kW	2,50	kW	2,50	kW	2,50	kW

**WARNING:** Diameter values written on the injector are specified without a comma. For example; The diameter of 1,70 mm is specified as 170 on the injector.

Technical specifications can be changed without prior notice to improve product quality.

The values provided with the appliance or its accompanying documents are laboratory readings in accordance with the respective standards. These values may differ depending on the use and ambient conditions.

Figures in this guide are schematic and may not be exactly match your product.

## INSTALLATION OF APPLIANCE

Ensure that electrical installation is suitable for operationalising the appliance. If not, call an electrician and plumber to make necessary arrangements. Manufacturing firm can't be hold responsible for damages to arise due to operations by unauthorized people and product warranty becomes void.

**WARNING:** It is customer's responsibility to prepare the location the product shall be placed on and also have power utility prepared.

**WARNING:** The rules about electrical local standards must be adhered to during product installation.

**WARNING:** Check for any damage on the product before installing it. Do not have product installed if it's damaged. Damaged products pose danger for your safety.

### Important Warnings for Installation:

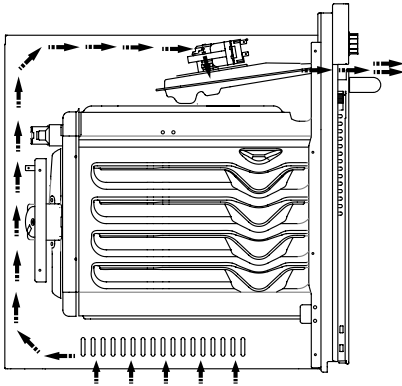


Figure 10

Cooling fan shall take extra steam out and prevent outer surfaces of appliance from overheating during operation of oven. This is a necessary condition for better appliance operation and better cooking. Cooling fan shall continue operation after cooking is finished. Fan shall automatically stop after cooling is completed.

A clearance must be left behind the enclosure where you'll place the appliance for efficient and good operation.

This clearance shouldn't be ignored as it's required for ventilation system of the appliance to operate.

### Right Place For Installation

Product has been designed to be mounted to worktops procured from market. A safe distance must be left between the product and kitchen walls or furniture. See the drawing provided on the next page for proper distances. (values in mm).

- Used surfaces, synthetic laminates and adhesives must be heat resistant. (minimum 100 °C).
- Kitchen cupboards must be level with product and secured.
- If there is a drawer below the oven, a rack must be placed between oven and drawer.

**WARNING:** Do not install the product next to refrigerators or coolers. The heat emitted by the product increases the energy consumption of cooling devices.

**WARNING:** Do not use door and/or handle to carry or move the product.

## **60 cm Built-In Oven Installation and Mounting**

Place of use for product must be located before starting installation.

Product mustn't be installed in places which are under the effect of strong air flow.

Carry the product with minimum two people. Do not drag the product so that floor isn't damaged.

Remove all transportation materials inside and outside the product. Remove all materials and documents in the product.

### **Installation Under Counter**

Cabin must match the dimensions provided in figure 11.

A clearance must be provided at the rear part of the cabin as indicated in the figure so that necessary ventilation can be achieved.

After mounting, the clearance between lower and upper part of the counter is indicated in figure 14 with "A". It's for ventilation and shouldn't be covered.

### **Installation In An Elevated Cabinet**

Cabin must match the dimensions provided in figure 13.

The clearances with the dimensions indicated in the figure must be provided at the rear part of cabin, upper and lower sections so that necessary ventilation can be achieved.

### **Installation Requirements**

Product dimensions are provided in the figure 12.

Furniture surfaces for mounting and mounting materials to be used must have a minimum temperature resistance of 100 °C.

Mounting cabin must be secured and its floor must be plane for product not to tilt over.

Cabin floor must have a minimum strength that would handle a load of 60 kg.

## Placing And Securing The Oven

Place the oven into the cabin with two or more people.

Ensure that oven's frame and front edge of the furniture match uniformly.

Supply cord mustn't be under the oven, squeeze in between oven and furniture or bend.

Fix the oven to the furniture by using the screws provided with the product. Screws must be mounted as shown in figure 14 by passing them through plastics attached to frame of the product. Screws mustn't be overtightened. Otherwise, screw sockets might be worn.

Check that oven doesn't move after mounting. If oven isn't mounted in accordance with instructions, there is a risk of tilt over during operation.

## Electrical Connection

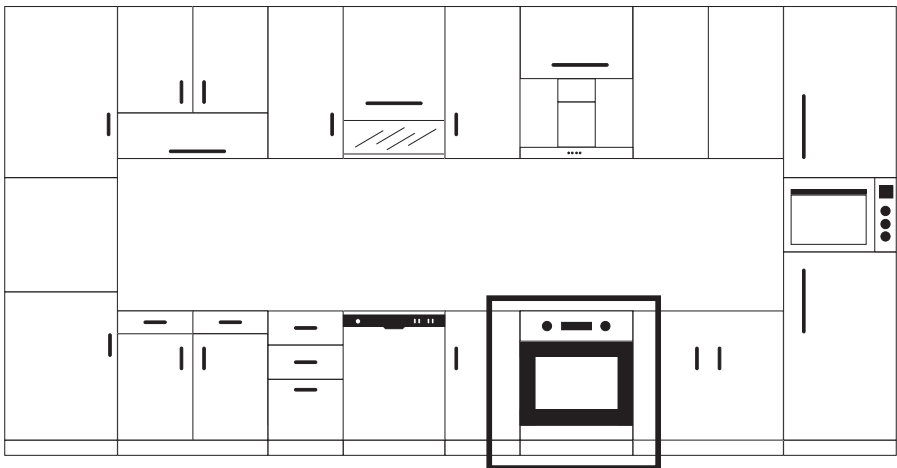
Mounting place of the product must have appropriate electrical installation.

Network voltage must be compatible with the values provided on type label of product.

Product connection must be made in accordance with local and national electrical requirements.

Before starting the mounting disconnect network power. Do not connect the product to network until its mounting is completed.

## Mounting





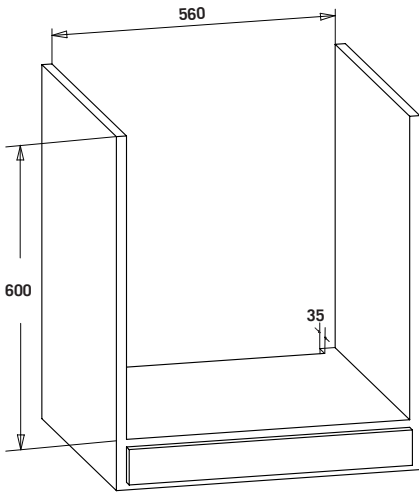


Figure 11

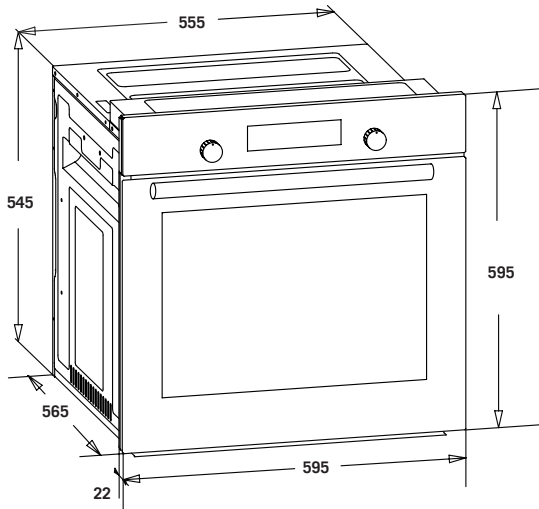
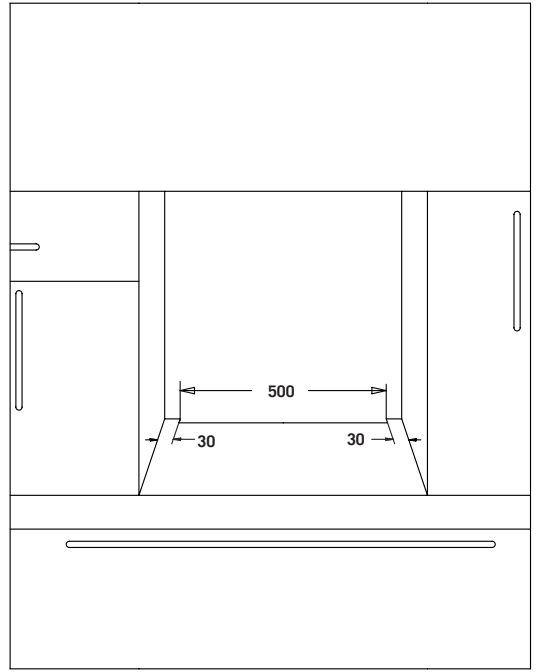


Figure 12

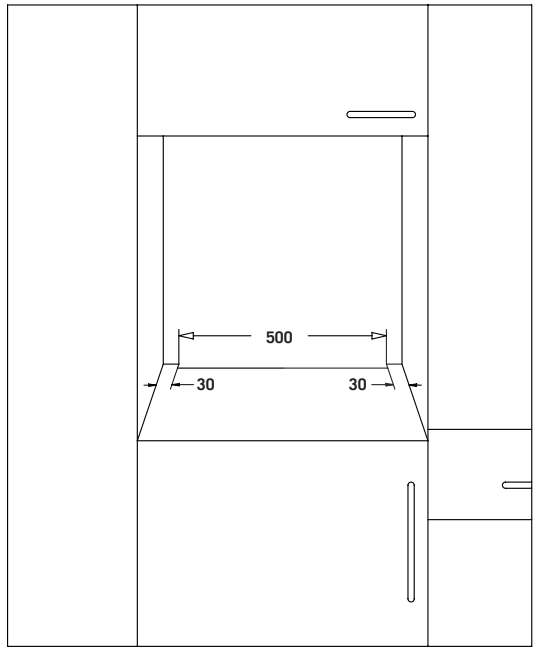
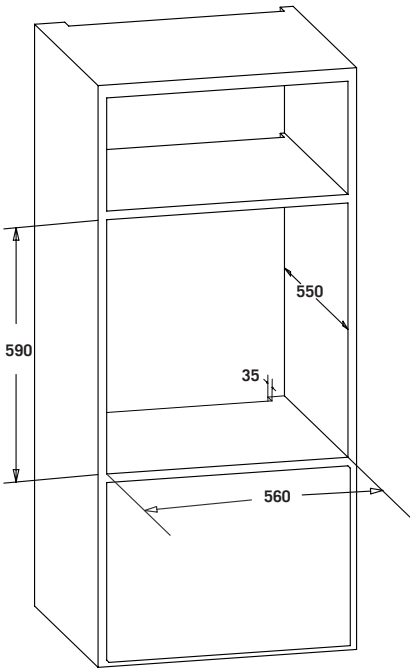
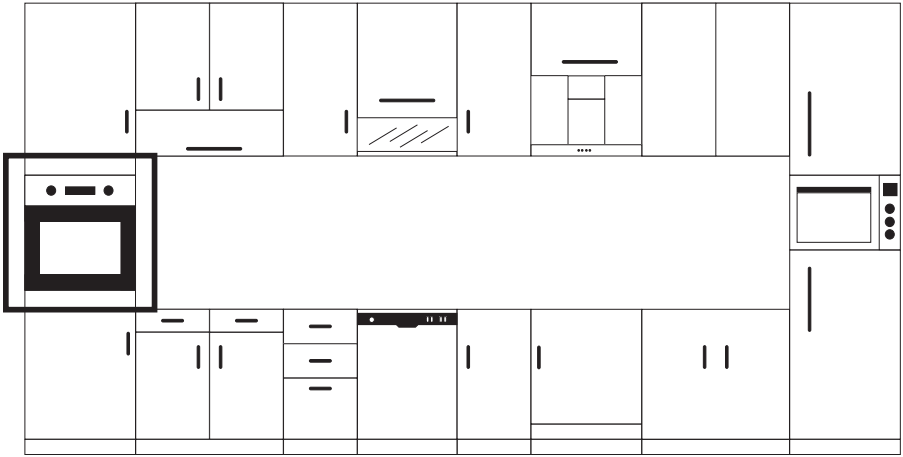


Figure 13

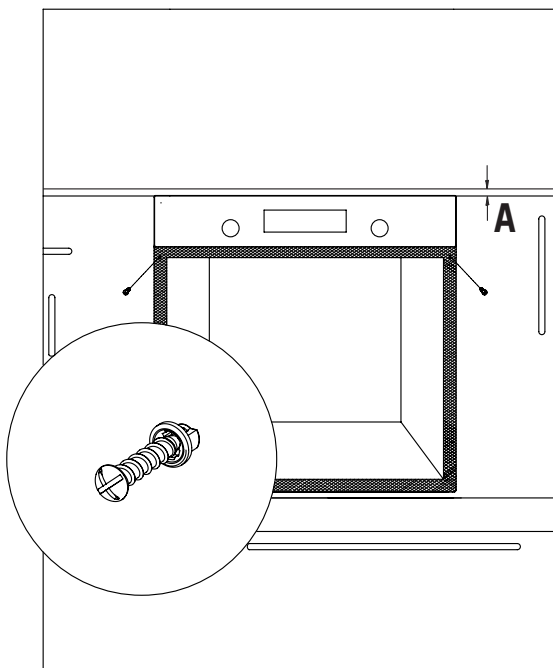
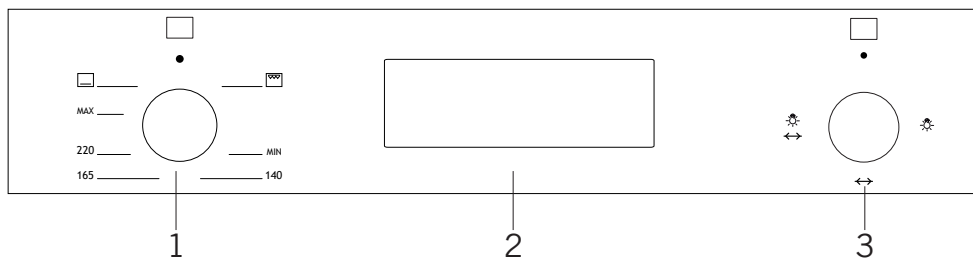


Figure 14

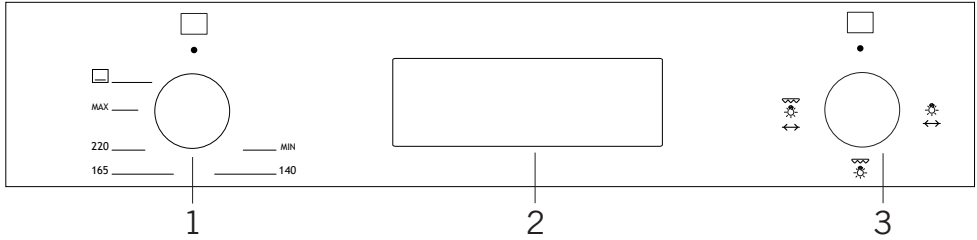
**CONTROL PANEL**

**Built in Gas Oven Control Panel Picture**



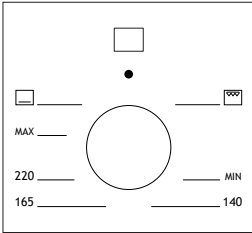
1. Oven control button
2. Mechanical or digital timer
3. Function button

## Built in Mix Oven Control Panel Picture

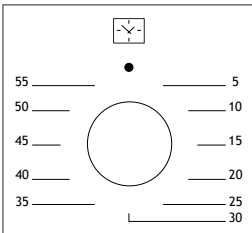


1. Oven control button
2. Mechanical or digital timer
3. Function button

**WARNING:** The control panel above is only for illustration purposes. Consider the control panel on your device.



**Oven Control Button:** Provides to control gas oven burners (for thermostatic oven burner and upper burner). Also you can use the ignition under knob function to flame the gas burners.



**Mechanical Timer Button \*:** Helps to set time for the food to be cooked in the oven. See cooking table for cooking times.

## USING THE OVEN

### Initial Use Of Oven

Here are the things you must do at first use of your oven after making its necessary connections as per instructions:

1. Remove labels or accessories attached inside the oven. If any, take out the protective folio on front side of the appliance.
2. Remove dust and package residues by wiping inside of the oven with a damp cloth. Inside of oven must be empty. Plug the cable of appliance into the electrical socket.
3. Set the thermostat button to the highest temperature (250 Max. °C) and run the oven for 30 minutes with its door closed. Meanwhile a slight smoke and smell might occur and that's a normal situation.
4. Wipe inside of the oven with a slightly warm water with detergent after it becomes cold and then dry with a clean cloth. Now you can use your oven.

### Normal Use of Oven

1. This gas oven's top (grill) and bottom burner can only be used one at a time. When you want use your chosen burner, first you press the tap knob and wait 5 seconds to purge air from the pi pes. Then you can ignite the burner by automatic ignition system (optional) or match.
2. Once the burner is lit, you must continue to hold the knob in for between 10 to 15 seconds for the flame supervisory system to work.
3. When the burner is lit and fully established after a minute or two, then you can close the oven door.
4. You can set cooking time to any desired time by using the button at models with mechanical timer. Timer will de-energize heaters when time expired and provide warning beep as ringing.
5. Timer turns the heaters off and provides audible signal when cooking time expires in line with the information entered in the models with digital timer.
6. Cooling system of the appliance will continue to operate after cooking is completed. Do not cut the power of appliance in this situation which is required for appliance to cool down. System will shut down after cooling is completed.

## Using The Grill

1. When you place the grill on the top rack, the food on the grill shall not touch the grill.
2. You can preheat for 5 minutes while grilling. If necessary, you may turn the food upside down.
3. Food shall be in the center of the grill to provide maximum air flow through the oven.

### To turn on the grill;

1. Place the function button over the grill symbol.
2. Then, set it to the desired grill temperature.

### To turn the grill off;

Set the function button to the off position.

**WARNING:** Keep the oven door closed while grilling. (electrical grill)

**WARNING:** Keep the oven door opened while grilling. (gas grill)

### Using The Grill Deflector Sheet \*

1. Place the heat shield under the control panel by opening the oven front door. (figure 16)
2. Locate the two mounting tabs on the heat shield into the two slots under the control panel, then secure in place between oven and inner door by gently closing the door. (figure 17)
3. It is important to keep the door open the specified distance when grilling.
4. The heat shield will provide an ideal cooking performance while protecting the control panel and knobs.

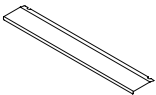


Figure 15

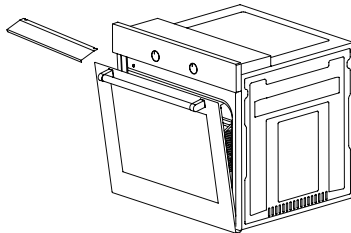


Figure 16

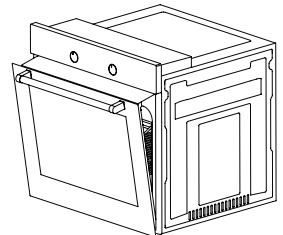


Figure 17

## Lighting The Oven Manuall

In the event of a power failure, the oven burner can be lit manually:

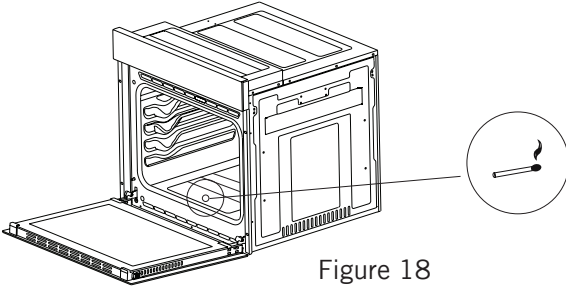


Figure 18

1. Open oven door.
2. Hold match or lighter near the burner hole as shown in the figure.
3. Once the burner is lit, shut the oven door.

**NOTE:** If the oven burner is accidentally extinguished, turn the oven control knob to the off position, open the oven door, ventilate the kitchen and wait for least one minute before trying to light the burner again.

**ATTENTION:** Automatic switch is available in the oven. Use this feature when the power fails.

## Using The Chicken Roasting \*

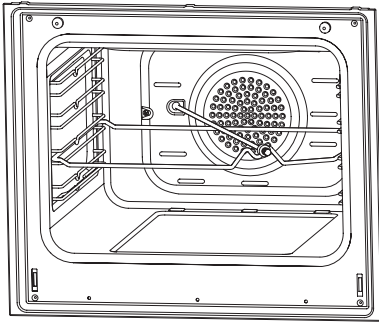
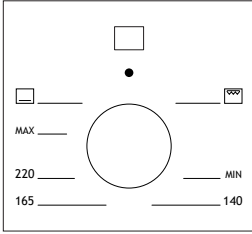


Figure 19

Place the spit on the frame. Slide turn spit frame into the oven at the desired level. Locate a dripping pan through the bottom in order to collect the fast. Add some water in dripping pan for easy cleaning. Do not forget to remove plastic part from spit. After grilling, screw the plastik handle to the skewer and take out the food from oven.

## PROGRAM TYPES



**Program Button:** Helps to set with which heaters the food placed in oven will be cooked. Heater program types in this button and their functions are stated below. Every model might not have all heater types and thus program types of these heaters.

Heating program types in your appliance and important explanations of them are provided below for you can cook different foods appealing to your taste.

	Oven burner		Grill burner
	Roast chicken *		Lamp
	Timer		Turbo fan *

**Oven Burner:** You can reheat or brown meals using bottom heating. it is also most suitable of heating far preserving food.

**Grill Burner:** This function is used for grilling. Place food on the wire grid put wire grid into the oven top rack. After place oven deep tray under wire grid.

## COOKING RECOMMENDATIONS

You can find in the following table the information of food types which we tested and identified their cooking values in our labs. Cooking times can vary depending on the network voltage, quality of material to be cooked, quantity and temperature. Dishes to cook by using these values might not appeal to your taste. You can set various values for obtaining different tastes and results appealing to your taste by making tests.

**WARNING:** Oven must be preheated for 7-10 minutes before placing the food in it.



## Cooking Table

Food	Cooking function	Cooking temperature (°C)	Cooking rack	Cooking time (min.)
Cake	Oven	170-180	3	35-45
Small cake	Oven	170-180	3	25-30
Pie	Oven	180-200	3	35-45
Pastry	Oven	180-190	3	20-25
Cookie	Oven	170-180	3	20-25
Apple pie	Oven	180-190	3	50-70
Sponge cake	Oven	200/150*	3	20-25
Pizza	Oven	180-200	3	20-30
Lasagne	Oven	180-200	3	25-40
Meringue	Oven	100	3	50
Grilled chicken **	Grill	200-220	3	25-35
Grilled fish **	Grill	200-220	3	25-35
Calf steak **	Grill	Max	4	15-20
Grilled meatball **	Grill	Max	4	20-25

\* Do not preheat. First half of cooking time is recommended to be at 200 °C de while the other half at 150 °C.

\*\* Food must be turned after half of the cooking time.

## MAINTENANCE AND CLEANING

1. Remove the power plug from electrical socket.
2. Do not clean inner parts, panel, trays and other parts of the product with hard tools such as bristle brush, wire wool or knife. Do not use abrasive, scratching materials or detergent.
3. Rinse after wiping the parts at inner parts of the product with soapy cloth, then dry thoroughly with a soft cloth.
4. Clean glass surfaces with special glass cleaning material.
5. Do not clean your product with steam cleaners.
6. Never use combustibles like acid, thinner and gas while cleaning your product.
7. Do not wash any part of the product in dishwasher.
8. Use potassium stearate (soft soap) for dirt and stains.

### Cleaning Oven Glass

Lift by pressing on plastic latches on left and right side as shown in figure 20 and pulling the profile toward yourself as in figure 21. Glass is released after profile is removed as shown in figure 22. Remove the released glass by pulling toward yourself carefully. Outer glass is fixed to oven door profile. You can perform glass cleaning easily after glasses are released. You can mount glasses back by performing the operations reversely after cleaning and maintenance are completed. Ensure that profile is seated properly in place.

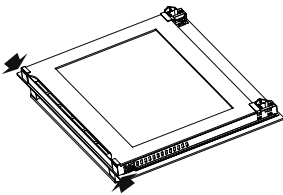


Figure 20

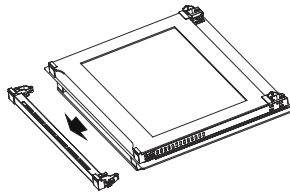


Figure 21

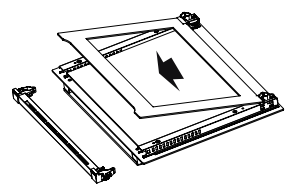


Figure 22

## Cleaning And Mounting Oven Door

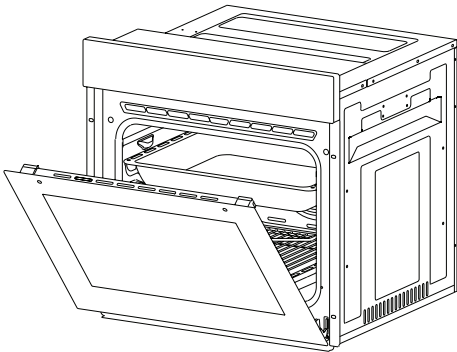


Figure 23

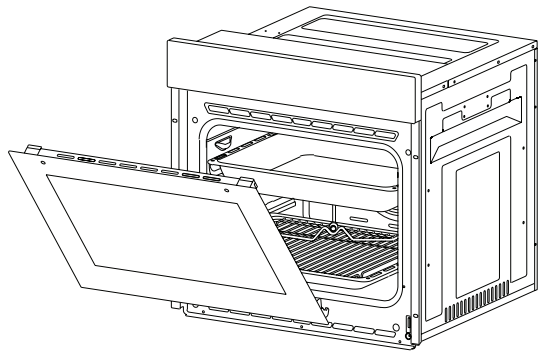


Figure 24

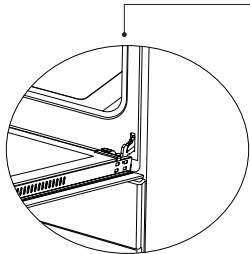


Figure 23.1

Open the door fully by pulling the oven door toward yourself. Then perform unlock operation by pulling the hinge lock upwards with the aid of screwdriver as indicated in **figure 23.1**.

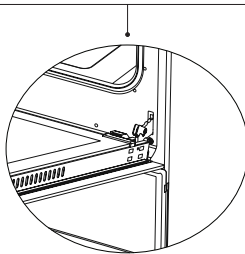


Figure 23.2

Set the hinge lock to the widest angle as in **figure 23.2**. Adjust both hinges connecting oven door to the oven to the same position.

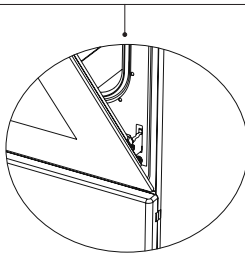


Figure 24.1

Later, close the opened oven door so that it will be in a position to contact with hinge lock as in **figure 24.1**.

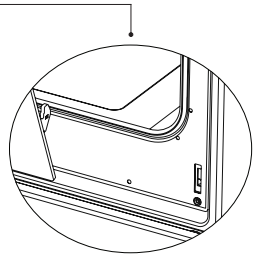


Figure 24.2

For easier removal of oven door, when it comes close to closed position, hold the cover with two hands as in **figure 24.2** and pull upwards.

Reversely perform respectively what you did while opening door to reinstall oven door back.

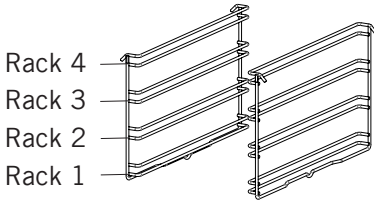
## Catalytic Walls \*

Catalytic walls are located on the left and the right side of cavity under the guides. Catalytic walls banish the bad smell and obtain the best performance from the cooker. Catalytic walls also absorb oil residue and clean your oven while it's operating.

### Removing the catalytic walls

In order to remove the catalytic walls; the guides must be pulled out. As soon as the guides are pulled out, the catalytic walls will be released automatically. The catalytic walls must be changed after 2-3 years.

### Rack Positions



It is important to place the wire grill into the oven properly. Do not allow wire rack to touch rear wall of the oven. Rack positions are shown in the next figure. You may place a deep tray or a standard tray in the lower and upper wire racks.

### Installing and removing wire racks

To remove wire racks, press the clips shown with arrows in the figure, first remove the lower, and then the upper side from installation location. To install wire racks; reverse the procedure for removing wire rack.

## Replacing Oven Lamp

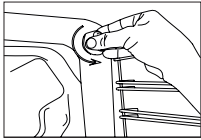
**WARNING:** To avoid electric shock, ensure that the appliance circuit is open before changing the lamp. (having circuit open means power is off) First disconnect the power of appliance and ensure that appliance is cold.

Remove the glass protection by turning as indicated in the figure on the left side. If you have difficulty in turning, then using plastic gloves will help you in turning.

Then remove the lamp by turning, install the new lamp with same specifications.

Reinstall glass protection, plug the power cable of appliance into electrical socket and complete replacement. Now you can use your oven.

### Type G9 Lamp



220-240 V, AC  
15-25 W

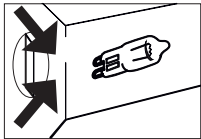
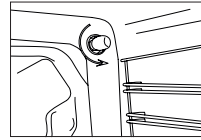


Figure 25

### Type E14 Lamp



220-240 V, AC  
15 W

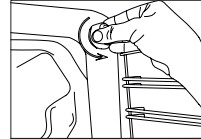


Figure 26

## TROUBLESHOOTING

You may solve the problems you may encounter with your product by checking the following points before calling the technical service.

### Check Points

In case you experience a problem about the oven, first check the table below and try out the suggestions.

Problem	Possible Cause	What to Do
<b>Oven does not operate.</b>	Power supply not available.	Check for power supply.
	Gas supply not available.	Check if main gas valve is open.
		Check if gas pipe is bent or kinked.
		Make sure gas hose is connected to the oven.
		Check if suitable gas valve is being used.
<b>Oven stops during cooking.</b>	Plug comes out from the wall socket.	Re-install the plug into wall socket.
<b>Turns off during cooking.</b>	Too long continuous operation.	Let the oven cool down after long cooking cycles.
	More than one plugs in a wall socket.	Use only one plug for each wall socket.
<b>Oven door is not opening properly.</b>	Food residues jammed between the door and internal cavity.	Clean the oven well and try to re-open the door.
<b>Electric shock when touching the oven.</b>	No proper grounding.	Make sure power supply is grounded properly.
	Ungrounded wall socket is used.	

<b>Problem</b>	<b>Possible Cause</b>	<b>What to Do</b>
<b>Water dripping.</b>	Water or steam may generate under certain conditions depending on the food being cooked. This is not a fault of the appliance.	Let the oven cool down and than wipe dry with a dishcloth.
<b>Steam coming out from a crack on oven door.</b>		
<b>Water remaining inside the oven.</b>		
<b>Oven does not heat.</b>	Oven door is open.	Close the door and restart.
	Oven controls not correctly adjusted.	Read the section regarding operation of the oven and reset the oven.
	Fuse tripped or circuit breaker turned off.	Replace the fuse or reset the circuit breaker. If this is repeating frequently, call an electrician.
<b>Smoke coming out during operation.</b>	When operating the oven for the first time	Smoke comes out from the heaters. This is not a fault. After 2-3 cycles, there will be no more smoke.
	Food on heater.	Let the oven to cool down and clean food residues from the heater.
<b>When operating the oven burnt or plastic odour coming out.</b>	Plastic or other not heat resistant accessories are being used inside the oven.	At high temperatures, use suitable glassware accessories.
<b>Oven does not cook well.</b>	Oven door is opened frequently during cooking.	Do not open oven door frequently, if the food you are cooking does not require turning. If you open the door frequently internal temperature drops and therefore cooking result will be influenced.
<b>Internal light is dim or does not operate.</b>	Foreign object covering the lamp during cooking.	Clean internal surface of the oven and check again.
	Lamp might be failed.	Replace with a lamp with same specifications.

## HANDLING RULES

1. Do not use the door and/or handle to carry or move the appliance.
2. Carry out the movement and transportation in the original packaging.
3. Pay maximum attention to the appliance while loading/unloading and handling.
4. Make sure that the packaging is securely closed during handling and transportation.
5. Protect from external factors (such as humidity, water, etc.) that may damage the packaging.
6. Be careful not to damage the appliance due to bumps, crashes, drops, etc. while handling and transporting and not to break or deform it during operation.

## RECOMMENDATIONS FOR ENERGY SAVING

Following details will help you use your product ecologically and economically.

1. Use dark coloured and enamel containers that conduct the heat better in the oven.
2. As you cook your food, if the recipe or the user manual indicates that pre-heating is required, pre-heat the oven.
3. Do not open the oven door frequently while cooking.
4. Try not to cook multiple dishes simultaneously in the oven. You may cook at the same time by placing two cookers on the wire rack.
5. Cook multiple dishes successively. The oven will not lose heat.
6. Turn off the oven a few minutes before the expiration time of cooking. In this case, do not open the oven door.
7. Defrost the frozen food before cooking.



## ENVIRONMENTALLY-FRIENDLY DISPOSAL



Dispose of packaging in an environmentally-friendly manner.

This appliance is labelled in accordance with European Directive 2012/19/EU concerning used electrical and electronic appliances (waste electrical and electronic equipment - WEEE). The guideline determines the framework for the return and recycling of used appliances as applicable throughout to the EU.

## PACKAGE INFORMATION

Packaging materials of the product are manufactured from recyclable materials in accordance with our National Environment Regulations. Do not dispose of the packaging materials together with the domestic or other wastes. Take them to the packaging material collection points designated by the local authorities.

## УВАЖАЕМЫЙ ПОКУПАТЕЛЬ!

Благодарим Вас за то, что отдали предпочтение нашей бытовой технике.

Надеемся, что Вам понравится продукция нашей компании, и в будущем Вы отдадите ей предпочтение.

Данное изделие произведено на современном оборудовании без нанесения вреда окружающей среде.

Соответствует требованиям положений Директивы ЕС об отходах электрического и электронного оборудования (WEEE).

## ПРИМЕЧАНИЕ

Данное руководство по эксплуатации предназначено для нескольких моделей, наличие режимов и функций может отличаться. Все рисунки схематичны. Функции и комплектующие, обозначенные знаком «\*», являются дополнительной опцией и могут отсутствовать в Вашем изделии.

Внимательно прочтите руководство, в нём даются важные указания по безопасной установке, эксплуатации и техобслуживанию. Позаботьтесь о сохранности руководства по эксплуатации для использования его в дальнейшем. При передаче данного устройства новому владельцу не забудьте передать все документы.

## Содержание

Важные предупреждения.....	44
Характерные неисправности газового оборудования.....	55
Электрические соединения.....	59
Подключение газа.....	60
Описание прибора.....	64
Принадлежности.....	65
Технические характеристики.....	66
Установка прибора.....	66
Панель управления.....	72
Использование духового шкафа.....	74
Использование гриля.....	75
Использование отражательной пластины в режиме гриль.....	75
Как зажечь духовой шкаф.....	76
Использование обжаривания курицы.....	76
Типы программ.....	77
Советы по приготовлению.....	77
Таблица приготовления.....	78
Техническое обслуживание и очистка.....	77
Очистка стеклянного покрытия духового шкафа.....	79
Очистка и установка дверцы духового шкафа.....	80
Каталитические стенки.....	81
Положения полок.....	81
Замена лампы.....	82
Нахождение и устранение неисправностей.....	83
Правила обращения.....	85
Советы по энергосбережению.....	85
Экологически безопасная утилизация.....	86
Информация об упаковке.....	86
Данные о производителе.....	87

## ВАЖНЫЕ ПРУДУПРЕЖДЕНИЯ

1. Установка и ремонт должны быть выполнены **«АВТОРИЗОВАННЫМ СЕРВИСНЫМ ЦЕНТРОМ»**. Производитель не несет ответственности за работы, осуществляемые несанкционированными лицами.
2. Внимательно изучите данные инструкции по эксплуатации. Только таким образом вы можете безопасно и правильно использовать прибор.
3. Следует использовать духовый шкаф в соответствии с инструкциями по эксплуатации.
4. Не позволяйте детям младше 8 лет, и домашним животным приближаться к прибору, когда он работает.
5. **Доступные детали могут быть горячими во время использования. Не допускайте маленьких детей к печи.**
6. **ПРЕДУПРЕЖДЕНИЕ!** Опасность пожара: не храните какие-либо предметы на варочной панели.
7. **ПРЕДУПРЕЖДЕНИЕ!** Во время работы плита нагревается. Необходимо соблюдать осторожность при касании горячих элементов внутри печи.
8. Условия регулировки данного прибора указаны на заводской табличке. (Или на табличке производителя)
9. Доступные поверхности могут быть горячими при использовании гриля. Не подпускайте к печи маленьких детей.

**10. ПРЕДУПРЕЖДЕНИЕ:** Данный прибор предназначен для приготовления пищи. Его нельзя использовать для других целей, таких как обогрев комнаты.

**11.** Не используйте пароочистители для чистки прибора.

**12.** После того, как вы положите пищу в духовку, убедитесь, что дверца духовки полностью закрыта.

**13. НИКОГДА** не пытайтесь потушить огонь водой. Только выключите питание прибора, а затем закройте пламя крышкой или пожарным одеялом.

**14. ПРЕДУПРЕЖДЕНИЕ!** Дети до 8 лет должны находиться на расстоянии, если за ними не осуществляется постоянное наблюдение.

**15.** Следует избегать прикосновения к нагревательным элементам.

**16. ВНИМАНИЕ:** Процесс приготовления нельзя оставлять без присмотра. Не следует оставлять процесс приготовления без присмотра.

**17.** Данный прибор может использоваться детьми в возрасте 8 лет и старше, а также лицами с ограниченными физическими, сенсорными или умственными возможностями или с отсутствием опыта и знаний, под присмотром или в случае инструктирования их по использованию прибора безопасным способом и если такие лица понимают существующие опасности. Дети не должны играть с оборудованием. Чистка и обслуживание не должны осуществляться детьми без присмотра взрослых.

**18.** Данный прибор разработан исключительно для использования в бытовых условиях.

**19.** Дети не должны играть с устройством. Чистка или обслуживание прибора не должны осуществляться детьми, если они не старше 8 лет и не находятся под присмотром взрослых.

**20.** Храните прибор и шнур питания в месте, недоступном для детей в возрасте младше 8 лет.

**21.** Перед тем, как начать использовать прибор, поместите шторы, тюль, бумагу или любой воспламеняющийся (воспламеняемый) материал подальше от него. Не помещайте воспламеняющиеся или легковоспламеняющиеся материалы на прибор или в него.

**22.** Держите вентиляционные каналы открытыми.

**23.** Прибор не подходит для эксплуатации с внешним таймером или отдельной системой дистанционного управления.

**24.** Не нагревайте консервы и стеклянные банки. Давление может привести к взрыву банок.

**25.** Ручка духового шкафа не является полотенцесушителем. Не вешайте полотенца и т. д. на ручке духового шкафа.

**26.** Не размещайте противни, плиты или алюминиевую фольгу для духовки непосредственно на нижнюю часть духовки. Накопленное тепло может повредить основание печи.

**27.** При размещении продуктов питания в духовку или извлечении пищи из духовки и т. д. всегда используйте термостойкие перчатки.

**28.** Не используйте прибор в таких состояниях, как под воздействием лекарств и/или алкоголя, которое может повлиять на вашу способность к суждению.

**29.** Будьте осторожны при смешивании алкоголя с едой. Алкоголь испаряется при высоких температурах и вызвать пожар, если он соприкасается с горячими поверхностями.

**30.** После каждого использования проверьте, выключен ли прибор.

**31.** Если прибор неисправен или имеет видимые повреждения, не используйте его.

**32.** Не касайтесь штепсельную вилку мокрыми руками. Не тяните за шнур питания, чтобы отключить прибор от сети электропитания; всегда придерживайте вилку рукой.

**33.** Не используйте прибор, если стекло передней дверцы удалено или сломано.

**34.** Положите бумагу для выпечки вместе с пищей в предварительно нагретую духовку, поместив ее в духовку или на аксессуар для духовки (противень, проволочная решетка и т. д.).

**35.** Не размещайте предметы на приборе, которые могут быть доступными для детей.

**36.** Важно правильно поместить проволочную решетку и противень на проволочные полки и / или правильно поместить противень на полку. Поместите решетку или противень между двумя направляющими и убедитесь, что он сбалансирован, прежде чем положить на него пищу.

**37.** Чтобы предотвратить риск прикосновения к нагревательным элементам духовки, удалите лишние части пекарской бумаги, которые висят от аксессуара или сосуда.

**38.** Никогда не используйте духовку при более высоких температурах, чем максимальная температура, указанная на вашей бумаге для выпечки. Не размещайте бумагу для выпечки на дне духовки. Из-за риска прикоснуться к нагревательным элементам духовки, удалите лишние части бумаги для выпечки, которые висят от аксессуара или сосуда.

**39.** Когда дверца открыта, не помещайте тяжелый предмет на дверцу или не позволяйте детям сидеть на ней. Это может привести к опрокидыванию печи или к повреждению дверных петель.

**40.** Упаковочные материалы представляют опасность для детей. Храните упаковочные материалы в недоступном для детей месте.

**41.** Не используйте абразивные чистящие средства или острые металлические скребки для очистки стекла, так как царапины, которые могут возникать на поверхности стекла дверцы, могут привести к разбитию стекла.



**42.** Пользователь не должен ремонтировать печь самостоятельно.

**43.** При использовании внутренние и внешние поверхности духовки становятся горячими. Когда вы открываете дверцу духовки, отходите назад, чтобы избежать горячего пара, выходящего изнутри. Имеется риск ожога.

**44.** Не размещайте тяжелые предметы на дверцу духовки, когда дверца открыта, возникает риск опрокидывания.

**45.** Не переместите резистор при чистке. Это может привести к поражению электрическим током.

**46.** Питание духовки можно отключать во время любых строительных работ дома. После завершения работ повторное подключение духовки к электросети должно выполняться авторизованным сервисом.

**47.** Прибор нельзя устанавливать за декоративным покрытием во избежание перегрева.

**48.** Прежде чем снимать защитные устройства, выключите прибор. После очистки установите защитные устройства в соответствии с инструкциями.

**49.** Точки крепления кабеля должны быть защищены.

**50.** Пожалуйста, не готовьте пищу непосредственно на противне / решетке. Положите пищу в соответствующие инструменты, прежде чем положить ее в духовку.

## Электробезопасность

1. Подключите устройство в заземленную розетку, защищенную предохранителем, соответствующим значениям, приведенным в таблице технических характеристик.

2. Регулировка оборудования заземления должна быть выполнена квалифицированным электриком. Наша компания не несет ответственности за ущерб, который может возникнуть в результате эксплуатации прибора без заземления в соответствии с местными правилами.

3. Автоматические выключатели духовки должны быть размещены так, чтобы конечный пользователь мог их достичь, когда духовка установлена.

4. Шнур питания (шнур со штепсельной вилкой) не должен соприкасаться с горячими частями прибора.

5. Если шнур питания (шнур со штепсельной вилкой) поврежден, такой шнур должен быть заменен производителем или его дилером по техническому обслуживанию или не менее квалифицированным персоналом во избежание опасности.

6. Никогда не мойте прибор путем распыления или наливания на него воды. Имеется риск поражения электрическим током.

**7. ПРЕДУПРЕЖДЕНИЕ: Во избежание поражения электрическим током перед заменой лампы убедитесь, что питание прибора отключено.**

**8. ПРЕДУПРЕЖДЕНИЕ:** Перед обращением с клеммами отсоедините все соединения цепи питания.

**9.** Не используйте порванные или поврежденные шнуры или удлинители; используйте только оригинальный шнур.

**10.** При подключении штепсельной вилки к розетке, убедитесь, что в розетке нет жидкости или влаги.

**11.** Задняя панель духовки также нагревается при эксплуатации. Электрические соединения не должны соприкасаться с задней панелью, в противном случае соединения могут быть повреждены.

**12.** Не закрепляйте соединительные кабели на дверцу духовки и не проложите кабели через горячие поверхности. Если шнур расплавится, это может привести к короткому замыканию духовки и даже к пожару.

**13.** Для установки, технического обслуживания, очистки и ремонта отключайте прибор от сети электропитания.

**14.** В случае повреждения шнура питания необходимо обратиться к производителю, в авторизованный сервисный центр или к любым другим квалифицированным специалистам для его замены на аналогичный во избежание опасных ситуаций.

**15.** Убедитесь, что штепсельная вилка плотно вставлена в розетку, чтобы избежать образования искр.

**16.** Не используйте пароочистители при очистке прибора, в противном случае может возникнуть поражение электрическим током.

**17.** Для установки требуется многополюсный переключатель, способный отключать источник питания. Отключение от источника питания должно быть снабжено переключателем или встроенным предохранителем, установленным на стационарном источнике питания в соответствии с условиями здания.

**18.** Прибор может быть оснащен шнуром питания в зависимости от модели.

**19.** Неподвижные соединения должны быть подключены к источнику питания, обеспечивающему многополюсное отключение. Для приборов с защитой от перенапряжения ниже III категории, устройство отключения должно быть подключено к источнику питания с фиксированным напряжением в соответствии с кодом проводки.

## Газобезопасность

**1.** Данный прибор не подключается к установке удаления продуктов горения. Данный прибор должен быть подключен и установлен в соответствии с действующими правилами установки. Особенно следует учитывать условия, касающиеся вентиляции.

**2.** Когда используется газовая плита, влажность, тепла и продукты горения образуются в помещении. Прежде всего, убедитесь, что кухня хорошо проветривается при эксплуатации прибора и держите отверстия естественного проветривания открытыми или установите механическое вентиляционное оборудование.

**3.** После интенсивного использования прибора в течение длительного времени может потребоваться дополнительная вентиляция. Например, откройте окно или установите механическую вентиляцию на более высокую скорость, если таковая имеется.

**4.** Следует использовать данный прибор только в хорошо проветриваемых местах в соответствии с действующими правилами. Перед установкой или использованием данного прибора ознакомьтесь с руководством по эксплуатации.

**5.** Перед размещением прибора убедитесь, что условия локального трубопровода (тип газа и давление газа) соответствуют характеристикам прибора.

**6.** Все виды работ при подключении к газовой магистрали должны выполняться уполномоченными и компетентными людьми.

**7.** Данный прибор настроен для работы с природным газом (NG). Если вы должны использовать свой прибор с другим типом газа, вам необходимо обратиться в уполномоченный сервис для переналадки.

**8.** Для правильной работы следует периодически заменять колпачок, газовую трубу и зажим в соответствии с рекомендациями производителя и при необходимости.

**9.** Газ должен хорошо гореть в газовых приборах. Если газ горит синим пламенем и непрерывно, это показывает, что газ хорошо горит. Если газ не горит достаточно хорошо, может образоваться окись углерода (CO). Окись углерода представляет собой бесцветный, очень токсичный газ без запаха; даже небольшое количество имеет летальный исход.

**10.** Свяжитесь с местными поставщиками газа для получения телефонных номеров учреждений, занимающихся чрезвычайными ситуациями, связанными с газом, и сведений о мерах, которые необходимо принять при обнаружении запаха газа.

## Характерные неисправности газового оборудования и методы их устранения

**Внимание!!** В случае возникновения пожара перекрыть общий кран подачи газа и краны на варочной поверхности, вызвать пожарную службу по телефону 01 и принять меры по тушению огня.

■ Если рядом с поверхностью находятся бытовые электроприборы, подключённые к сети (чайники, тостеры, кофемолки и т.п.), следите, чтобы их провод не попал в зону пламени горелок.

**Внимание!!** Самыми распространёнными несчастными случаями, связанными с газом, являются ожоги. Как правило, они происходят:

- при касании горячих частей прибора;
- при расплёскивании кипящих жидкостей;
- при опрокидывании посуды, стоящей на передних конфорках.

■ Будьте аккуратны и особенно внимательно следите за своими малышами, а лучше не пускайте их на кухню, пока прибор работает или остывает.

■ Во время работы некоторые детали варочной панели сильно разогреваются и сохраняют тепло значительное время после выключения. Будьте осторожны, не прикасайтесь к ним и предупредите детей – возможны ожоги.

**Внимание!!** При эксплуатации моделей варочных поверхностей из закаленного стекла, если стекло треснуло, отключите прибор для предотвращения поражения электрическим током.

**Внимание!!** При появлении запаха газа необходимо перекрыть общий кран подачи газа, закрыть все краны прибора, открыть окна и до устранения утечек не производить никаких действий, связанных с огнем: не зажигать спички, не курить, не включать (выключать) электроприборы и освещение. Для устранения утечек газа немедленно вызовите аварийную газовую службу.

■ При возникновении технических неполадок при работе прибора необходимо немедленно отключить электропитание и перекрыть общий кран подачи газа, перекрыть все краны конфорок и вызвать представителя газовой службы.

■ Периодически (не реже одного раза в полгода) проверяйте состояние кабеля электропитания и гибкого шланга подвода газа. При обнаружении каких-либо дефектов (трещины, следы оплавлений) немедленно обратитесь в сервисную службу.

Гибкий шланг подвода газа заменяется только персоналом специализированных организаций, имеющих право установки и обслуживания газового оборудования.

■ Особую осторожность проявляйте при приготовлении блюд с большим количеством жира или масла, так как они легко воспламеняются.

**Внимание!!** Нельзя тушить воспламенившееся масло или жир водой! В таких случаях посуду с огнем нужно плотно накрыть крышкой.



## Таблица возможных неисправностей и меры по их устранению.

Что произошло?	Возможная причина	Что делать?
Конфорки не зажигаются. Неровное, нестабильное пламя.	Неровность пламени вызвано неправильной настройкой подачи газа.	Обратитесь к специалисту для проверки газопровода.
Внезапные перепады пламени в конфорках.	Неправильно установлены детали конфорки.	Соберите конфорку правильно.
Для зажигания конфорки требуется больше времени.	Неправильно установлены детали конфорки.	Соберите конфорку правильно.
Пламя гаснет вскоре после возгорания.	Ручка нажата слишком быстро или слишком слабо.	Удерживайте ручку нажатой дольше.
Произошло обесцвечивание решетки в зоне конфорки.	Это распространенное явление, вызванное воздействием высокой температуры.	Очистите решетку с применением чистящего средства для ухода за металлическими деталями.
Полностью отсутствует электропитание.	Плохое электрическое соединение.	Проверьте подключение прибора к электроэнергии.
Не работает электроподжиг конфорок.	Между конфоркой и свечой зажигания скопились остатки моющего средства или пищи.	Тщательно очистите зазор между свечой зажигания и конфоркой.
Крышка конфорки загрязнена.	Обычное загрязнение.	Очистите крышки конфорок с применением чистящего средства для ухода за металлическими деталями.

Если, следуя инструкциям, неполадку устранить не удалось, вызовите уполномоченного специалиста.

## Целевое использование

1. Данный прибор предназначен для использования в бытовых условиях. Коммерческое использование прибора не допускается.
2. Данный прибор можно использовать только для приготовления пищи. Его не следует использовать для других целей, таких как обогрев комнаты.
3. Данный прибор не следует использовать для нагрева пластин под решеткой, сушки одежды или полотенца путем подвешивания их на ручке или для обогрева.
4. Производитель не несет ответственности за какие-либо повреждения, возникшие в результате неправильного использования устройства или обращения с ним.
5. Духовку прибора можно использовать для размораживания, обжаривания, жарки и приготовления гриля.
6. Срок службы приобретенного Вами прибора составляет 10 лет. В течение данного периода времени запасные части, необходимые для работы этого прибора, как определено, предоставляется изготовителем.

## Электрические Соединения

Надлежащая установка и подключение духового шкафа должны быть выполнены уполномоченной службой согласно указаниям изготовителя.

Прибор должен быть установлен в кожух духового шкафа, что обеспечивает сильную вентиляцию.

Электрические соединения прибора должны выполняться через розетки с системой заземления в соответствии со стандартами. Свяжитесь с уполномоченным инженером-электриком, если в месте установки прибора отсутствует розетка, которая соответствует системе заземления. Компания-изготовитель никоим образом не несет ответственность за ущерб при подсоединении прибора к незаземленным розеткам.

Штепсельная вилка духового шкафа должна иметь систему заземления; убедитесь, что розетка под штепсельную вилку заземлена. Штепсельная вилка должна быть в зоне досягаемости после установки.

Духовой шкаф изготовлен с расчетом на 220–240 В 50/60 Гц.

Необходимо соответствующее питание от сети переменного тока и 16-амперный предохранитель. Если ваша сеть питания не рассчитана на указанные параметры, обращайтесь к инженеру-электрику или уполномоченной службе.

В случае необходимости заменить электрический предохранитель, убедитесь, что электрическое соединение выполнено следующим образом:

- Фаза (на клеммы под напряжением) коричневый кабель
- Синий кабель на нулевой вывод
- Кабель желтый с зеленым на зажим заземления

Выключатели духового шкафа должны быть доступны для конечного пользователя после установки.

Кабель питания (кабель со штепсельным соединением) не должен соприкасаться с горячими деталями прибора.

Если кабель питания (кабель со штепсельным соединением) поврежден, данный кабель должен заменить продавец, сервисный агент или соответствующий компетентный персонал, чтобы не допустить фактор риска.

## Подключение газа

**ПРЕДУПРЕЖДЕНИЕ:** Прежде чем приступать к любой работе, связанной с газовой установкой, отключите подачу газа. **ВЗРЫВООПАСНОСТЬ!**

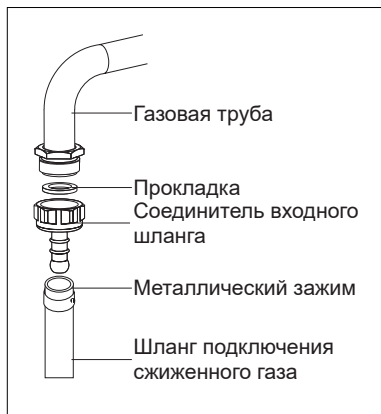
**ПРЕДУПРЕЖДЕНИЕ:** Газовый шланг и электрическое соединение устройства не следует размещать вблизи нагретых участков, как, например, задней стенки. При подсоединении газовый шланг должен иметь витки с большим углом во избежание его разрыва. После выполнения газового подсоединения передвижение духового шкафа может вызвать утечку газа.

**ПРЕДУПРЕЖДЕНИЕ:** При контроле на утечку газа ни в коем случае не пользуйтесь зажигалкой, спичками, не поджигайте сигарету или подобный воспламеняемый материал.

Подсоедините ваш духовой шкаф к газовой плите самым быстрым способом, избежав при этом утечки. В целях безопасности длина шланга должна быть максимум 125 см и минимум 40 см.

Нанесите мыльную пену на точки соединения. Если есть утечки, на участках с мыльной пеной произойдет вспенивание.

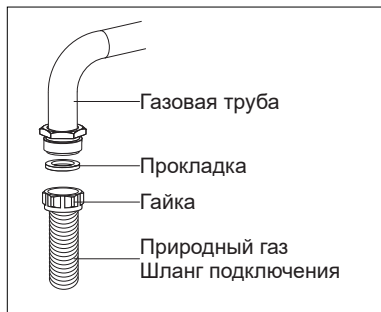
### Для подключения к баллону сжиженного газа;



Для подключения к баллону сжиженного газа (газовый баллон), прикрепите металлический зажим на шланг, поступающий из баллона сжиженного газа. Прикрепите край шланга к разъему впускного шланга, находящегося на задней части устройства, нажав до конца путем нагревания шланга в кипятке. После этого разместите зажим в конце шланга и затяните его с помощью отвертки. Прокладка и разъем впускного шланга, необходимые для подключения, показаны на рисунке ниже.

**ПРИМЕЧАНИЕ:** Регулятор, прикрепленный к баллону сжиженного газа, должен быть 300 мм вод.ст.

## Для подключения к трубопроводу натурального газа;



**ПРЕДУПРЕЖДЕНИЕ:** Подключение к трубопроводу природного газа должно производиться уполномоченной службой.

Для подключения к трубопроводу природного газа, установите прокладку к гайке на кромке соединительного шланга природного газа. Чтобы установить шланг на газопроводе, поверните гайку. Завершите соединение, проконтролировав на предмет утечки газа.

## Проветривание помещения

Воздух, необходимый для горения, получают из воздуха помещения и выходящие газы подаются прямо в помещение. Для надежной работы Вашего изделия обязательным условием является хорошая вентиляция помещения. Если в помещении отсутствует какое-либо вентиляционное окно или дверь, необходимо установить дополнительную вентиляцию. Однако при наличии открывающейся непосредственно из комнаты двери, отпадает необходимость в вентиляционных отверстиях.

Величина помещения	Вентиляционное отверстие
меньше 5 м <sup>3</sup>	мин. 100 см <sup>2</sup>
от 5 м <sup>3</sup> до 10 м <sup>3</sup>	мин. 50 см <sup>2</sup>
больше 10 м <sup>3</sup>	не требуется
в подвале или киллерах	мин. 65 см <sup>2</sup>

## Регулировка кранов конфорок на снижение потока газа

1. Зажгите конфорку, подлежащую регулировке, и поверните ручку в уменьшенное положение.

2. Снимите ручку с газового крана.

3. Для регулировки регулировочного винта скорости потока используйте отвертку соответствующего размера. Если используется сжиженный газ (бутан-пропан) поверните винт по часовой стрелке. Если натуральный газ используется, следует повернуть винт против часовой стрелки один раз.

«Нормальная длина прямого пламени в уменьшенном положении потока газа должна составлять 6-7 мм».

4. Если пламя выше этого, поверните винт по часовой стрелке. Если пламя ниже вышеуказанной величины, поверните винт против часовой стрелки.

5. Для последней проверки доведите горелку до максимального и уменьшенного положений и проверьте, есть пламя или нет.

В зависимости от типа газового крана, используемого в вашем приборе, положение регулировочного винта может меняться.

Для настройки духового шкафа к типу газа, сделайте настройку уменьшения пламени осторожно, поворачивая винты в центре газовых кранов маленькой отверткой, как показано ниже, а также при замене форсунок. (рис. 1 и 2)

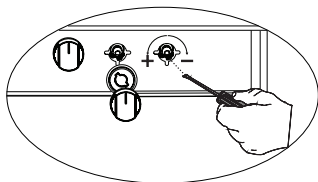


Рис. 1

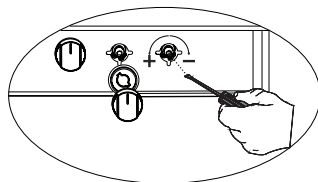


Рис. 2

## Снятие нижней и верхней горелок газовой печи и установка форсунок

### Снятие верхней горелки:

С помощью отвертки снимите винт как показано на рис.3. Как показано на рис.4 снимите горелку с гнезда потянув ее на себя. Как показано на рис.5 извлеките форсунку из гнезда с помощью гаечного ключа. Для обратной установки горелки выполнить процедуру обратную процедуре снятия.

Рис. 3

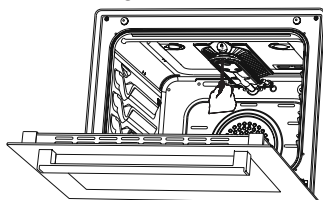


Рис. 4

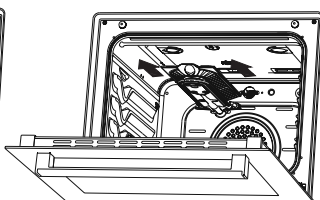
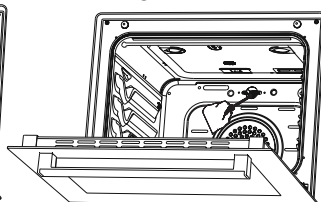


Рис. 5



### Снятие нижней горелки:

Крышка нижней горелки зафиксирована с помощью двух винтов, отсоедините ее с помощью отвертки как показано на рис.6. Снимите крышку потянув ее вверх как показано на рис.7. Как показано на рис. 8 снимите горелку из гнезда движением на себя. Как показано на рис.9 снимите форсунку из гнезда с помощью гаечного ключа. Для обратной установки горелки выполнить обратную снятию процедуру.

Рис. 6

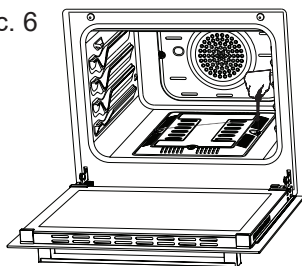


Рис. 7

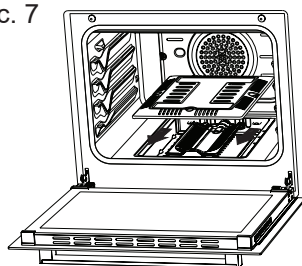


Рис. 8

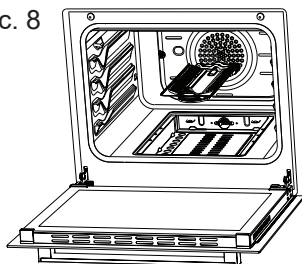
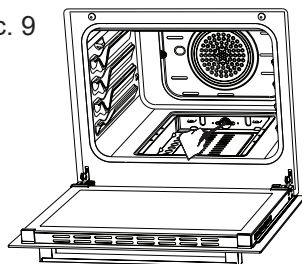
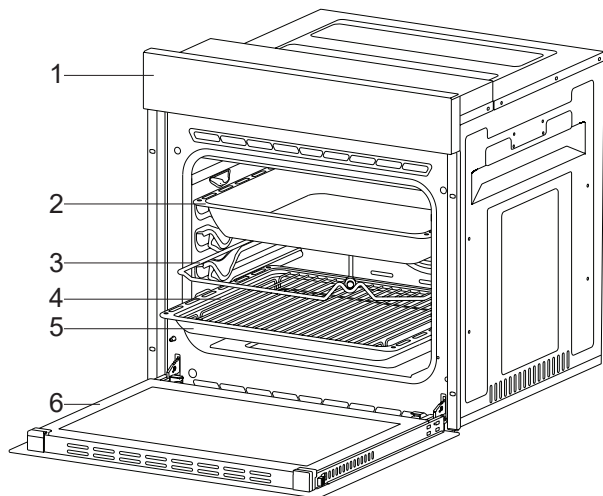


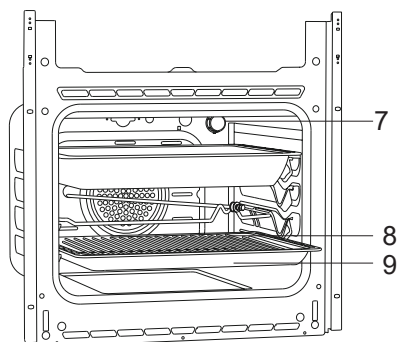
Рис. 9



## ОПИСАНИЕ ПРИБОРА



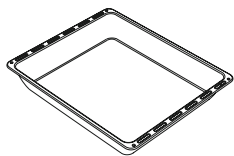
- |                                |  |
|--------------------------------|--|
| 1. Панель управления           | 4. Металлическая сетка для гриля в подносе |
| 2. Глубокий поднос *           | 5. Стандартный поднос                      |
| 3. Вертел для жареной курицы * | 6. Дверца духового шкафа                   |



- |  |
|--|
| 7. Лампа                                   |
| 8. Металлическая сетка для гриля в подносе |
| 9. Стандартный поднос                      |



## Аксессуары (выборочно, дополнительные опции)



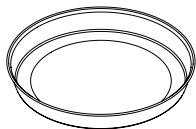
### Глубокий противень \*

Используется для выпечки хлебо-булочных изделий, приготовления больших запеканок, жидких блюд. Используется для выпекания кексов, а также в качестве сборника для жира в случае запекания мясных продуктов или размораживания замороженных продуктов на гриле.



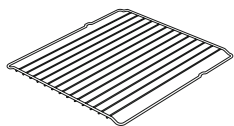
### Противень стандарт \*

Используется для выпекания хлебо-булочных изделий (печенье, бисквиты, и т.д.), размораживания продуктов.



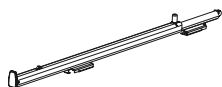
### Круглый противень \*

Используется для выпекания хлебо-булочных изделий размораживания продуктов.



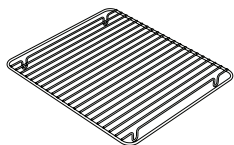
### Решетка (гриль)

Используется для жарки, а также для размещения продуктов под запекание, жарку или размораживание на необходимом уровне.



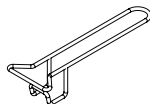
### Телескопические направляющие \*

Благодаря телескопическим направляющим подносы или решетки с легкостью устанавливаются и снимаются.



### Решетка на противень \*

Продукты, которые могут пригореть во время запекания, такие как отбивная, укладываются на решетку внутри подноса. Таким образом предотвращается прилипание и пригорание продуктов к подносу.



### Ручка противня \*

Используется, чтобы держать горячие противни.

## Технические Характеристики

Спецификации	Встроенный духовой шкаф 60 см
Мощность лампы	15-25 Вт
Термостат	100-250 / Макс. °C
Нагреватель для гриля	2000 Вт
Напряжение	220-240 В 50/60 Гц.

Горелка Спецификации	G20,20 мбар G25,25 мбар			G20,25 мбар		G30,28-30 мбар G31,37 мбар		G30,37 мбар		G30,50 мбар	
	Природный Газ			Природный Газ		Сжиженный газ		Сжиженный газ		Сжиженный газ	
Горелка на гриле	Инжектор	1,00	мм	0,92	мм	0,70	мм	0,65	мм	0,60	мм
	Расход газа	0,190	м³/ч	0,190	м³/ч	145	г/ч	145	г/ч	145	г/ч
	Мощность	2,00	кВт	2,00	кВт	2,00	кВт	2,00	кВт	2,00	кВт
Горелка духового шкафа	Инжектор	1,10	мм	1,00	мм	0,75	мм	0,70	мм	0,65	мм
	Расход газа	0,238	м³/ч	0,238	м³/ч	182	г/ч	182	г/ч	182	г/ч
	Мощность	2,50	кВт	2,50	кВт	2,50	кВт	2,50	кВт	2,50	кВт

**ПРЕДУПРЕЖДЕНИЕ:** Значения диаметра, записанные на форсунке, указаны без запятой. Например ; Диаметр 1,70 мм указывается как 170 на инжекторе.

Для улучшения качества продукта технические характеристики могут быть изменены без предупреждения.

Значения, относящиеся к прибору или его сопроводительные документы являются лабораторными данными согласно соответствующим стандартам. Данные значения могут отличаться в зависимости от условий эксплуатации и среды.

Рисунки, представленные в данном руководстве, выполнены схематично и могут не совпадать полностью с вашим продуктом.

### УСТАНОВКА ПРИБОРА

Убедитесь в том, что электрическая установка подходит для ввода прибора в эксплуатацию. В противном случае обращайтесь к электрику или слесарю-сантехнику. Фирма-изготовитель не несет ответственность за ущерб в результате действий со стороны неуполномоченных лиц, и гарантия на продукт в таком случае становится недействительной.

**ВНИМАНИЕ!** Обязанность покупателя подготовить место для размещения продукта и обеспечить источник электропитания.

**ВНИМАНИЕ!** Необходимо придерживаться правил местных стандартов для электроустановок во время установки изделия.

**ВНИМАНИЕ!** Проверьте изделие на наличие повреждений перед установкой. Не производите установку, если есть повреждения. Поврежденные изделия представляют опасность вашей безопасности.

### Важные предупреждения при установке:

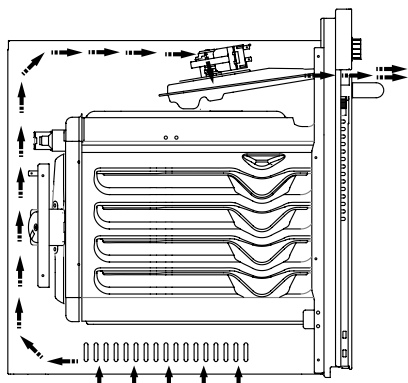


Рис. 10

Охлаждающий вентилятор должен выдувать лишний пар и защищать наружные поверхности духового шкафа от перегрева во время его эксплуатации. Это является необходимым условием для надежной работы прибора и качественного приготовления.

Охлаждающий вентилятор продолжает работать после завершения приготовления. Вентилятор автоматически прекратит работу после завершения охлаждения.

Для обеспечения эффективной и надежной работы духового шкафа необходимо обеспечить зазор между его задней стенкой и примыкающей поверхностью. Данный зазор следует соблюсти, поскольку это требуется для работы вентиляционной системы духового шкафа.

### Выбор места для установки

По разработке духовой шкаф встраивается в покупные кухонные гарнитуры. Необходимо оставить безопасное расстояние между духовым шкафом и стенами кухни или мебели. См. чертеж на следующей странице, на котором представлены соответствующие расстояния. (значения в мм)

- Напольные покрытия, бывшие в употреблении, синтетический ламинат и клейкие материалы должны быть жаростойкими. (минимум 100 °С).
- Кухонные шкафы должны быть на одном уровне с духовым шкафом и вплотную.
- Если есть выдвижной ящик под духовым шкафом, то между духовым шкафом и ящиком необходимо поместить подставку.

**ВНИМАНИЕ!** Не устанавливайте рядом с холодильниками или холоду дильными установками. Тепло, выделяемое духовым шкафом, увеличивает потребление энергии охлаждающих устройств.

**ВНИМАНИЕ!** Не используйте дверцу или ручку, чтобы перенести или подвинуть духовой шкаф.

## **Установка и монтаж встроенного духового шкафа 60 см**

Перед началом установки необходимо выбрать место для духового шкафа. Не рекомендуется устанавливать там, где сильный поток воздуха.

Переносите духовой шкаф как минимум вдвоем. Не перетаскивайте шкаф, чтобы не повредить пол.

Удалите все прокладки для транспортировки внутри и снаружи. Выньте все материалы и документы из духового шкафа.

### **Установка под столешницей**

Корпус должен соответствовать габаритам, указанным на рисунке 11.

Необходимо предусмотреть зазор от задней части корпуса, как показано на рисунке, для обеспечения соответствующей вентиляции.

Зазор между нижней и верхней частью столешницы после установки указан на рисунке 14 с обозначением «А». Следует оставлять открытым для обеспечения вентиляции.

### **Установка в шкафу на возвышении**

Корпус должен соответствовать габаритам, указанным на рисунке 13.

Необходимо предусмотреть зазоры с габаритами, указанными на рисунке, от задней части корпуса, верхней и нижней секций для обеспечения соответствующей вентиляции.

### **Требования к установке**

Габариты духового шкафа даны на рисунке 12.

Материал кухонного гарнитура при установке и крепежный материал должны иметь минимальную термостойкость 100 °С.

Необходимо закрепить монтажный корпус на ровном основании, чтобы духовой шкаф не заваливался.

Основание корпуса должно обладать минимальной прочностью для нагрузки 60 кг.

### **Установка и крепление духового шкафа**

Поместите духовой шкаф в корпус вдвоем или втроем.

Убедитесь, что духовой шкаф вписывается в кухонный гарнитур.

Кабель питания не должен находиться под духовым шкафом, вставьте его между духовым шкафом и кухонным гарнитуром или отвести к стене.

Прикрепите духовой шкаф к кухонному гарнитуру с помощью винтов, входящими в комплект поставки. Вставьте винты, как показано на рисунке 14, в пластмассовые пластинки, прикрепленные к раме духового шкафа.

Не перетягивайте винты. В противном случае можно сорвать резьбу.

Убедитесь, что после монтажа духовой шкаф надежно закреплен. Если

монтаж духового шкафа произведен не в соответствии с инструкциями, есть риск того, что он опрокинется во время эксплуатации.

### **Электрическое соединение**

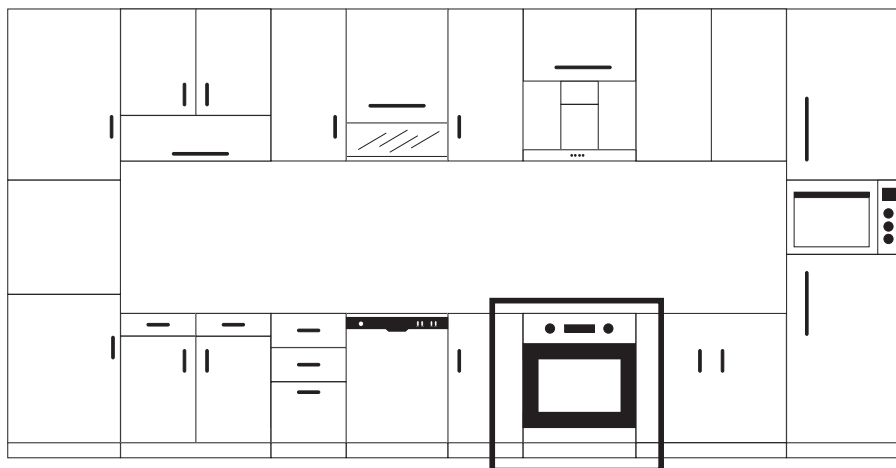
Место монтажа духового шкафа должно иметь соответствующую электропроводку.

Напряжение в сети должно быть совместимым с тем, которое указано на типовой этикетке изделия.

Подсоединения духового шкафа необходимо выполнить в соответствии с местными и национальными требованиями по электропитанию.

Перед началом монтажа отключите сетевое питание. Не подключайте духовой шкаф к сети до завершения монтажа.

### **Монтаж**



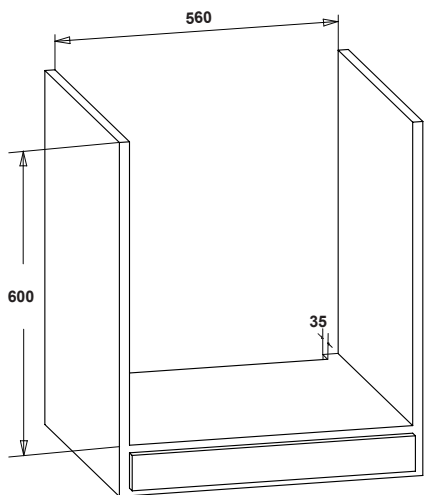


Рис. 11

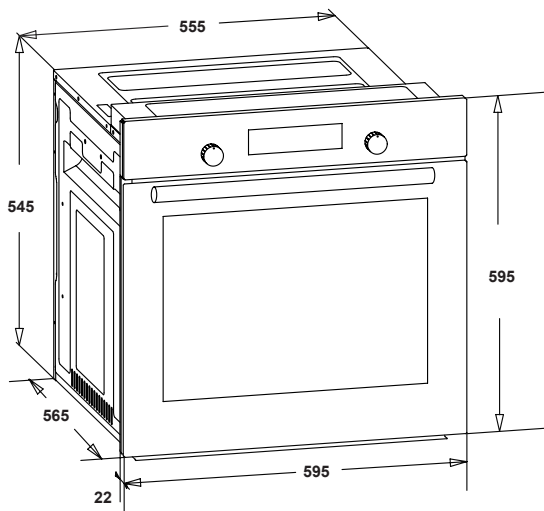
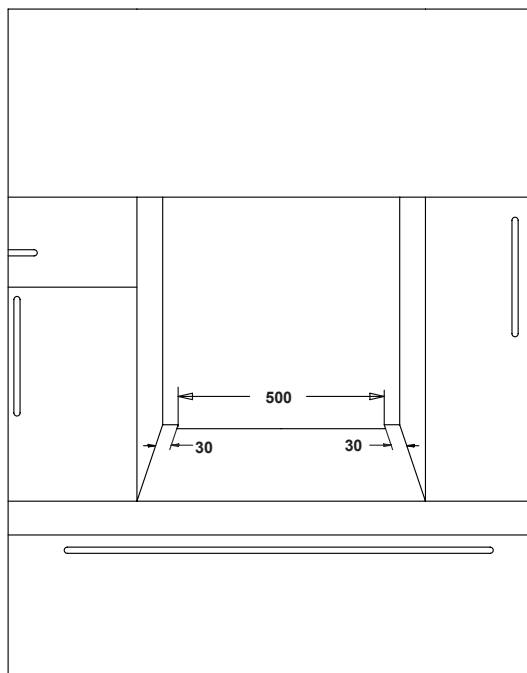


Рис. 12

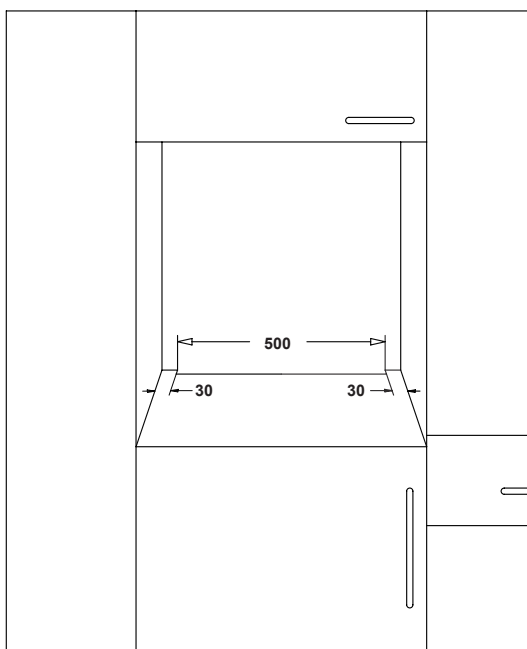
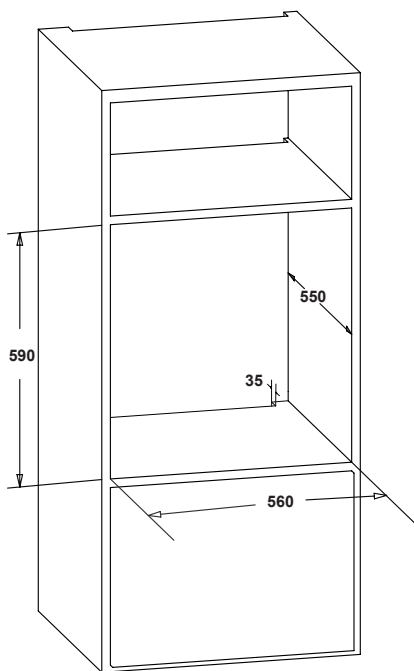
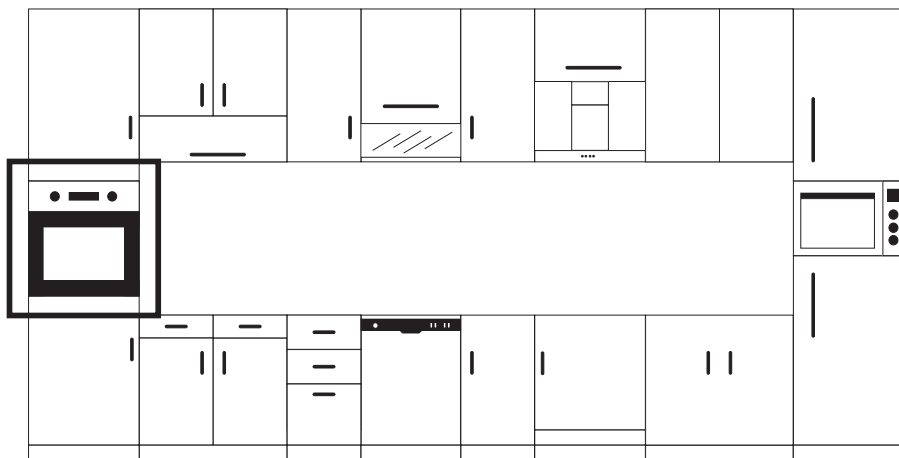


Рис. 13

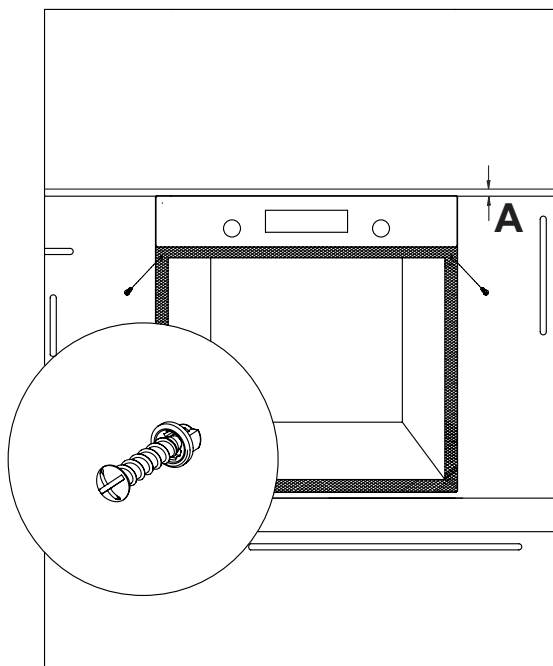
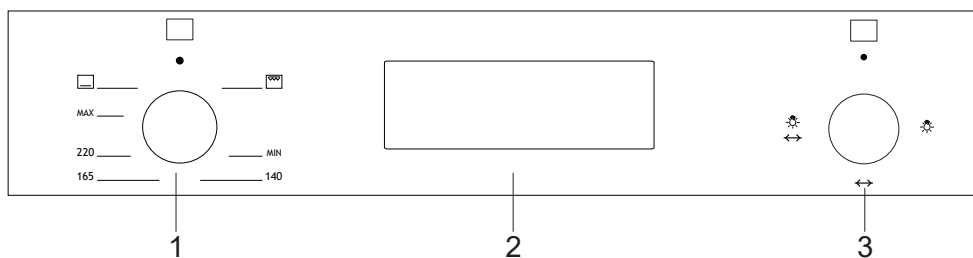


Рис. 14

**ПАНЕЛЬ УПРАВЛЕНИЯ**

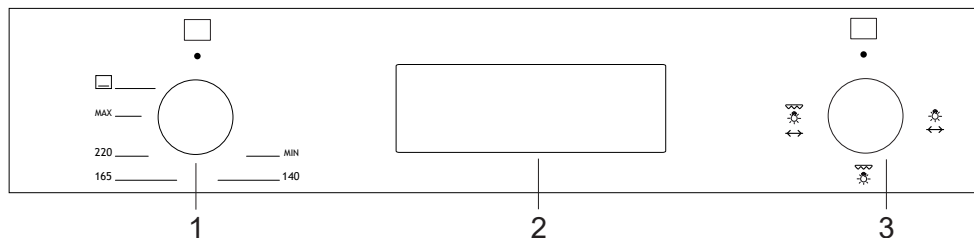
**Изображение панели управления встроенного газового шкафа**



1. Функциональная кнопка
2. Механический или цифровой таймер
3. Термостат

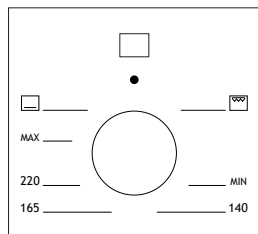


## Изображение панели управления встроенного комплексного духового шкафа

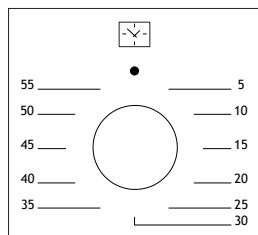


1. Функциональная кнопка
2. Механический или цифровой таймер
3. Термостат

**ПРЕДУПРЕЖДЕНИЕ:** Панель управления, указанная, приведена только в качестве примера. Принимайте во внимание панель управления, установленная на вашем приборе.



**Ручка управления духовкой:** Обеспечивает контроль газовых горелок (для термостатической конфорки и верхней конфорки). Также вы можете использовать функцию зажигания под ручкой, чтобы зажечь газовую горелку.



**Кнопка механического таймера\*:** Помогает установить время приготовления пищи в духовке. См. таблицу приготовления пищи для времени приготовления.

## **ИСПОЛЬЗОВАНИЕ ДУХОВОГО ШКАФА**

### **Первое использование духового шкафа**

После подсоединения духового шкафа при первом его использовании необходимо следующее согласно инструкции:

1. Выньте из духового шкафа иллюстрированный материал и запасные детали. Снимите защитную пленку на передней стенке прибора, если она есть.

2. Для удаления остатков пыли и упаковки протрите влажной тканью внутри духового шкафа. Внутри духового шкафа ничего не должно находиться. Подсоедините кабель прибора к электрической розетке.

3. Установите кнопку термостата на максимальную температуру (макс. 250 °С) и дайте духовому шкафу поработать в течение 30 минут при том, чтобы его дверца была закрыта. Вполне нормально, что может появиться легкий дым и запах.

4. Помойте внутри духового шкафа чуть теплой водой с моющим средством после того, как он остынет, а затем вытрите насухо. Теперь можете использовать свой духовой шкаф.

### **Нормальное использование духового шкафа**

1. Одновременная работа верхней и нижней горелок в данной газовой духовке невозможна. Для использования выбранной горелки сначала надо утопить ручку переключателя горелок и подержать ее в нажатом состоянии в течение 5-ти секунд для выпуска воздуха из трубы. Затем, при помощи автоматического розжига (опция) или спичек можно зажечь горелку.

2. Для запуска системы газконтроля, после розжига горелки, продолжайте удерживать в утопленном состоянии ручку переключателя горелок в течение 10-15 секунд.

3. Дверцу духовки следует закрыть после розжига и нормальной работы горелки в течение 1- 2 минут.

4. На моделях с механическим таймером, Вы можете установить желаемое время готовки при помощи реле таймера. По истечении установленного времени таймер отключает нагреватели и издает характерный звонок.

5. На моделях с цифровым таймером, по истечении времени готовки в соответствии с установленными данными, таймер отключает нагреватели и издает характерный звонок.

6. После завершения процедуры готовки система охлаждения прибора будет продолжать работать. Не отключайте питание прибора до полного охлаждения прибора в таком режиме. После завершения охлаждения система отключится автоматически.

## Использование Гриля

1. Когда вы помещаете гриль на верхнюю полку, продукты питания на гриле не должны соприкасаться с решеткой.

2. Вы можете предварительно разогревать гриль в течение 5 минут. Если необходимо, вы можете перевернуть пищу.

3. Пища должна находиться в центре гриля, чтобы обеспечить максимальный поток воздуха через духовку.

### Чтобы включить гриль;

1. Приведите кнопку выбора функций в символ гриля.

2. Затем установите его на желаемую температуру гриля.

### Выключение гриля;

Приведите кнопку выбора функций в положение «Выкл.».

**ПРЕДУПРЕЖДЕНИЕ:** Держите дверцу закрытой во время приготовления на гриле. (электрический гриль)

**ПРЕДУПРЕЖДЕНИЕ:** Держите дверцу открытой во время приготовления на гриле. (газовый гриль)

## Использование Отражательной Пластины В Режиме «Гриль» \*

1. Откройте дверцу духовки и установите теплозащитный экран под панель управления. (рис. 16)

2. Установите обе проушины экрана в кронштейны, расположенные под панелью управления. Затем прикройте дверцу духового шкафа и зафиксируйте теплозащитный экран между духовкой и внутренней стороной дверцы. (рис. 17)

3. Очень важно при работе верхней горелки духовки держать дверцу открытой в соответствии с установленным расстоянием. Если закрыть дверцу, то верхняя горелка духовки погаснет.

4. Теплозащитный экран наряду с защитной функцией панели управления и переключателей обеспечивает идеальный режим приготовления пищи при работе гриля.

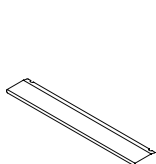


Рис. 15

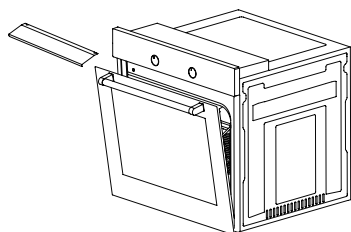


Рис. 16

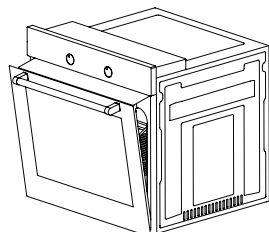


Рис. 17

## Как Зажечь Духовой Шкаф

В случае сбоя подачи электропитания горелку духового шкафа можно зажечь вручную:

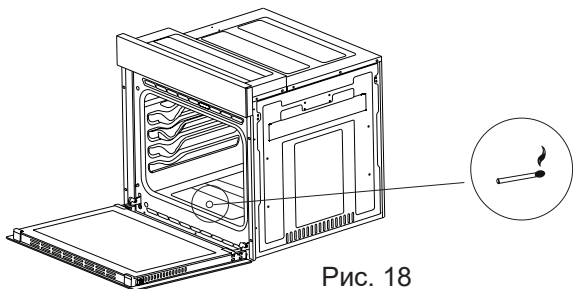


Рис. 18

1. Откройте дверцу духового шкафа.
2. Поднести спичку или зажигалку к выходному отверстию горелки, как показано на рисунке.
3. Когда горелка заpalена, закрывайте дверцу духового шкафа.

**ПРИМЕЧАНИЕ.** Если горелка внезапно погаснет, поверните ручку управления в положение «off» (выкл.), откройте дверцу духового шкафа, проветрите кухню и подождите как минимум одну минуту прежде чем снова запалить горелку.

**ВНИМАНИЕ!** Духовой шкаф оснащен автоматическим переключателем. Используйте эту характеристику при отказе электропитания.

## Использование Обжаривания Курицы \*

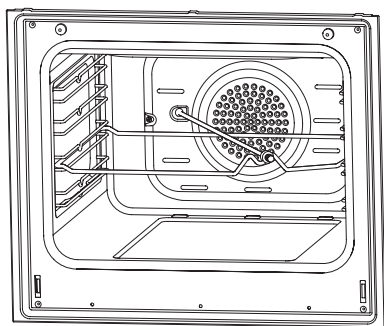
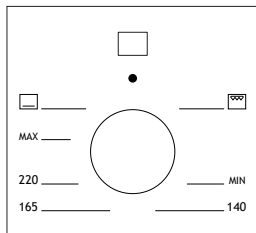


Рис. 19

Поместите вертел на раму. Передвиньте раму с вертелом на нужный уровень в печи. Поместите поддон для сбора жира в нижнюю часть. Добавьте воду в поддон для облегчения последующей чистки, не забудьте снять с вертела пластиковую деталь. После приготовления на гриле, привинтите пластиковую ручку к вертелу и вытащите готовое блюдо из печи.

## ТИПЫ ПРОГРАММ



**Кнопка Программы:** Помогает установить, с какими нагревателями будет готовить пищу, помещенную в духовку. Типы программ нагрева в этой кнопке и их функции указаны ниже. У каждой модели могут быть не все типы нагревателей и, следовательно, некоторые программы могут отсутствовать.

Типы программ термической обработки духового шкафа и их описания представлены ниже, чтобы можно было готовить разные продукты питания в зависимости от вкуса.

	Горелка духового шкафа		Горелка на гриле
	Жареный цыпленок		Лампа
	Таймер		Турбо вентилятор *

**Горелка духового шкафа:** Можно подогреть или подрумянить еду за счет нижнего подогрева. Больше всего подходит для разогрева консервированных продуктов длительного хранения.

**Горелка на гриле:** Данная функция используется для приготовления на гриле. Поместите еду на проволочную решетку и поставьте ее на верхний противень духового шкафа. После этого поместите глубокий поднос под проволочную решетку.

### СОВЕТЫ ПО ПРИГОТОВЛЕНИЮ

В приведенной таблице можно найти информацию о типах продуктов питания, которые мы протестировали и определили их показатели приготовления в наших лабораториях. Время приготовления может варьироваться в зависимости от сетевого напряжения, качества продукта питания, его количества и температуры. Блюдо, приготовленное согласно этим параметрам, возможно, придется вам не по вкусу. Путем проб можно приготовить различные блюда и достичь результатов, которые вас порадуют.

**ВНИМАНИЕ!** Прежде чем поместить продукт питания в духовой шкаф, его необходимо предварительно разогреть в течение 7-10 минут.

## Таблица Приготовления

Блюда	Функция Приготовления	Температура (°C)	Полка	Время (мин.)
Торт	Духовой шкаф	170-180	3	35-45
Небольшие торты	Духовой шкаф	170-180	3	25-30
Пэтти	Духовой шкаф	180-200	3	35-45
Торт	Духовой шкаф	180-190	3	25-30
Печенье	Духовой шкаф	170-180	3	20-25
Яблочный пирог	Духовой шкаф	180-190	3	50-70
Бисквит	Духовой шкаф	200/150 *	3	20-25
Пицца	Духовой шкаф	180-200	3	20-30
Лазанья	Духовой шкаф	180-200	3	25-40
Меренга	Духовой шкаф	100	3	60
Курица	Духовой шкаф	180-190	3	45-50
Курица на гриле **	Гриль	200-220	3	25-30
Жареная рыба **	Гриль	200-220	4	25-30
Стейк без костей **	Гриль	Мах.	4	15-20
Фрикаделька **	Гриль	Мах.	4	20-25

\* без предварительного нагрева Первая половина времени приготовления при температуре 200 °C, остальное время - 150 °C.

\*\* В середине продолжительности приготовления необходимо перевернуть продукты.

## ТЕХНИЧЕСКОЕ ОБСЛУЖИВАНИЕ И ОЧИСТКА

1. Выньте вилку из электрической розетки.
2. Не чистите внутренние части, панель, подносы и остальные части духового шкафа жесткими предметами: твердыми щетками, проволочными мочалками или ножом. Не применяйте абразивные, царапающие материалы или моющие средства.
3. Когда протрете детали у основания духового шкафа, оботрите их мыльной тканью, а затем вытрите насухо мягкой тканью.
4. Чистите стеклянные поверхности специальным материалом для очистки стекла.
5. Не чистите духовой шкаф пароочистителями.
6. При чистке духового шкафа никогда не используйте горючие вещества, как, например, кислотный раствор, растворитель и газ.
7. Не промывайте детали печи в посудомоечной машине.
8. Для очистки грязи и пятен используйте стеарат калия (жидкое мыло).

### Очистка Стеклянного Покрытия Духового Шкафа

Поднимите нажатием на пластиковые защелки слева и справа, как показано на рисунке 20, и потяните профиль на себя, как показано на рисунке 21. Стекло высвобождается, если вынуть профиль, как показано на рисунке 22. Выньте стекло, аккуратно потянув на себя. Наружное стекло крепится к профилю дверцы духового шкафа. Когда вынете стекла, их легко можно почистить. После завершения очистки и техобслуживания можно установить стекла на место, выполняя в/у инструкции в обратном порядке. Убедитесь в том, что профиль установлен надежно на своем месте.

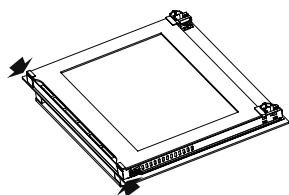


Рис. 20

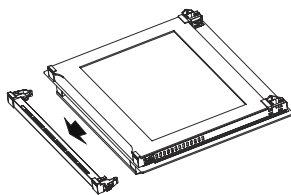


Рис. 21

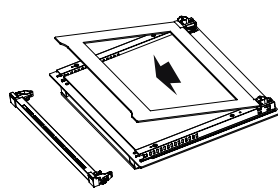


Рис. 22

## Очистка И Установка Дверцы Духового Шкафа

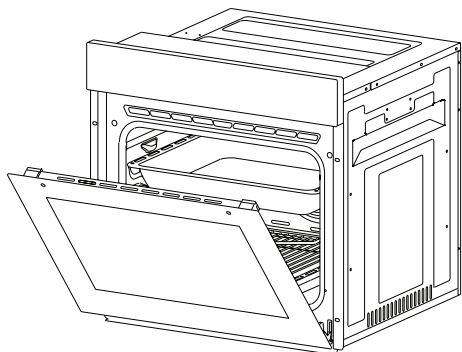


Рис. 23

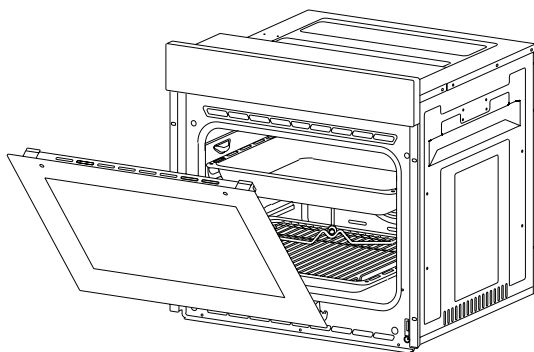


Рис. 24

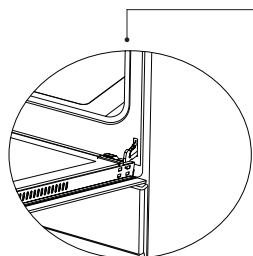


Рис. 23.1

Откройте полностью дверцу, потянув ее на себя. Затем выполните операцию по разблокировке, потянув шарнирный замок вверх с помощью отвертки, как показано на **рисунке 23.1**.

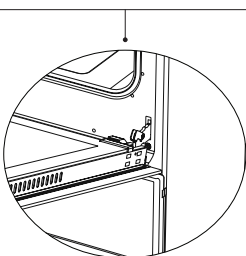


Рис. 23.2

Установите шарнирный замок на самый большой угол как на **рисунке 23.2**. Отрегулируйте оба шарнира, которые крепят дверцу к духовому шкафу в том же положении.

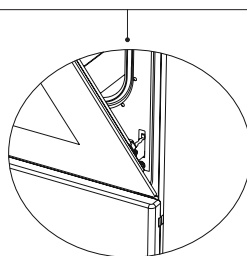


Рис. 24.1

Позднее закройте открытую до этого дверцу, так чтобы она соприкасалась с шарнирным замком как на **рисунке 24.1**.

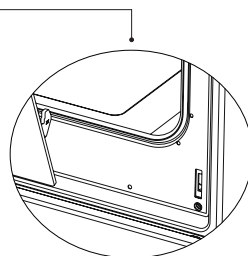


Рис. 24.2

Для удобного снятия дверцы духового шкафа возьмитесь за нее обеими руками, когда она почти закрылась, как показано на **рисунке 24.2**, и потяните вверх.

Соответственно следуйте в обратном порядке инструкции для повторной установки дверцы духового шкафа.



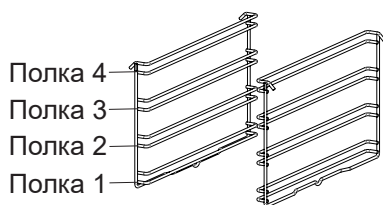
## Каталитические Стенки \*

Каталитические стенки расположены слева и справа от камеры под направляющими. Эти стенки удаляют неприятные запахи и максимально повышают производительность во время приготовления пищи. Кроме того, каталитические стенки поглощают остатки масла и чистят печь во время ее работы.

### Снятие каталитических стенок

Чтобы снять каталитические стенки, выньте направляющие. После этого стенки извлекаются автоматически. Их следует менять через 2-3 года.

### Положения Полки



Правильная установка проволочной решетки в духовку является важной частью установки. Не позволяйте проволочной решетке соприкоснуться с задней стенкой духовки. Положения полок показаны на следующем рисунке. Вы можете разместить глубокий противень или стандартный противень в нижней и верхней полках.

### Установка и снятие проволочных полок

Чтобы снять проволочные полки, нажмите на защелки, показанные стрелками на рисунке, сначала снимите нижнюю, а не верхнюю сторону от места установки. Чтобы установить проволочные полки; выполните процедуру удаления проволочной полки в обратном порядке.

## Замена Лампы

**ПРЕДУПРЕЖДЕНИЕ:** Во избежание поражения электрическим током, перед заменой лампы убедитесь, что прибор отключен от цепи питания. (Отключение от цепи питания означает отключение от магистральной сети).

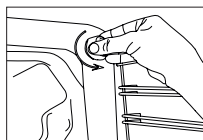
Сначала отключите питание прибора и убедитесь в том, что он остыл.

Поверните и снимите стеклянный плафон как показано на рисунке. В случае затруднения при повороте плафона, используйте пластиковые перчатки.

Затем, выкрутите старую и установите новую лампу с такими же характеристиками.

Установите плафон на место, подключите кабель питания к розетке и завершите процедуру замены лампы. Теперь Вы можете использовать свою печь.

### Тип G9 Лампы



220-240 В, AC  
15-25 Вт

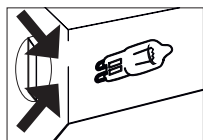


Рис. 25

### Тип E14 Лампы



220-240 В, AC  
15 Вт



Рис. 26

## НАХОЖДЕНИЕ И УСТРАНЕНИЕ НЕИСПРАВНОСТЕЙ

Вы можете решить проблемы, с которыми вы можете столкнуться в приборе, проверив следующие пункты перед тем, как обратиться в техническую службу.

### Контрольные точки

Если у вас возникла проблема с духовкой, сначала проверьте таблицу ниже и попробуйте устранить неполадку, выполнив рекомендации.

Неисправность	Вероятная причина	Рекомендации По Устранению
Духовка не работает.	Источник питания недоступен.	Проверьте наличие электропитания.
	Газоснабжение отсутствует.	Проверьте, открыт ли главный газовый кран.
		Проверьте, согнут ли газовый трубопровод или перекручен.
		Убедитесь, что газовый шланг подсоединен к духовке.
Проверьте, используется ли подходящий газовый кран.		
Духовка останавливается во время приготовления.	Возможно, вилка отсоединена от настенной розетки.	Вставьте штепсельную вилку в настенную розетку.
Отключается во время приготовления.	Непрерывная работа в течение слишком долгого времени.	Дайте духовке остыть после длительных циклов приготовления.
	Несколько устройств подключены к одной розетке.	Подключите только один прибор к одной розетке.
Дверца духовки не открывается должным образом.	Пищевые остатки заклинивали между дверцей и внутренним пространством.	Очистите духовку и попытайтесь открыть дверцу снова.
Поражение электрическим током при касании духовки.	Заземление не выполнено должным образом.	Убедитесь, что источник питания заземлен правильно.
	Используется розетка без заземления.	

Неисправность	Вероятная причина	Рекомендации По Устранению
Вода капает.	Вода или пар могут образовываться при определенных условиях в зависимости от приготовленной пищи. Это не является неисправностью прибора.	Дайте духовке остыть и вытрите тканью.
Пар выходит из трещины на дверце духовки.		
Вода в духовке.		
Микроволновая печь не греет	Дверца духовки открыта.	Закройте дверцу и перезапустите прибор.
	Регуляторы духовки неправильно отрегулированы.	Прочтите раздел, касающийся работы духовки, и выполните сброс духовки.
	Предохранитель сработал или автоматический выключатель выключен.	Замените плавкий предохранитель или сбросьте автоматический выключатель. Если это повторяется часто, обратитесь к электрику.
Дым выходит во время работы.	При работе духовки в первый раз	выходит дым. Это не является неисправностью. После 2-3 циклов работы дыма больше не будет.
	Остатки пищи на нагревателе.	Дайте духовке остыть и очистите остатки пищи от нагревателя.
При работе духовки образуется запах гари или пластики.	Внутри печи используются пластиковые или другие нетермостойкие принадлежности.	При высоких температурах используйте подходящие стеклянные посуды.
Духовка не приготовит должным образом.	Дверца духовки часто открывается во время приготовления.	Не открывайте дверцу духовки часто, если еда, которую вы готовите, не требует переворачивания. Если вы часто открываете дверцу, внутренняя температура падает, и будет влиять на результат приготовления.
Внутренний свет тусклый или не включается.	Посторонний предмет покрывает лампу во время приготовления.	Очистите внутреннюю поверхность духовки и снова проверьте.
	Возможно, неисправна лампа.	Установите новую лампу с теми же характеристиками.

## **ПРАВИЛА ОБРАЩЕНИЯ**

1. Не используйте дверцу и / или ручку при переносе или перемещении прибора.
2. Переносите и перевозите в оригинальной упаковке.
3. При погрузке / разгрузке и обращении соблюдайте крайнюю осторожность.
4. Перед переносом и транспортировкой убедитесь, что упаковка надежно закрыта.
5. Защитите от внешних факторов (таких как влажность, вода и т. д.), которые могут повредить упаковку.
6. Будьте осторожны, чтобы не повредить прибор из-за ударов, сбоев, капель и т. д. во время переноса и транспортировки, а также не сломать и не деформировать его во время работы.

## **СОВЕТЫ ПО ЭНЕРГОСБЕРЕЖЕНИЮ**

Следующие детали помогут вам эксплуатировать данный прибор в экологически и экономически выгодном виде.

1. Используйте темные и эмалевые сосуды, теплопроводность которых является лучшим.
2. Когда вы готовите пищу, если рецепт или руководство пользователя указывают, что требуется предварительный нагрев, предварительно нагрейте духовку.
3. Не открывайте дверцу духовки во время приготовления.
4. Старайтесь не готовить несколько блюд одновременно в духовке. Вы можете готовить несколько блюд одновременно, поставив две сосуды на проволочную решетку.
5. Приготовьте несколько блюд одно за другим. Духовка не теряет тепло.
6. Выключите духовку за несколько минут до окончания времени приготовления. В этом случае не открывайте дверцу духовки.
7. Перед приготовлением размораживайте замороженные продукты питания.

## Утилизация бытовой техники



1. Данное изделие не содержит опасных и запрещенных веществ. Соответствует требованиям положений Директивы ЕС об отходах электрического и электронного оборудования

2. Данное изделие произведено из высококачественных деталей и материалов, которые могут быть переработаны и повторно использованы.

3. Не следует выбрасывать ваше изделие вместе с бытовыми отходами по истечении его срока службы. Необходимо сдать его в пункт сбора для переработки отходов электрического и электронного оборудования.

Помогите защитить окружающую среду и природные источники путем переработки отработанных изделий.

### УПАКОВКА

Материалы упаковки устройства произведены из перерабатываемого материала в соответствии с нашим национальным законодательством. Не выбрасывайте упаковочные материалы вместе с бытовыми и иными отходами, сдавайте их в пункты сбора упаковочных материалов.



**В целях безопасности детей перед утилизацией данного изделия необходимо отрезать электрический кабель, чтобы предотвратить его включение.**

