

n
Vf
 PAGE 295

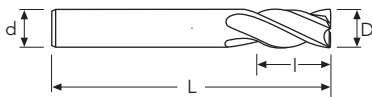
**OSAWA
NORM**

GB405 - G2CS4

Ø mm	-6	6.5~12	13~20
tol. D µ	0 / -20	0 / -25	0 / -30

G2410 - G2411 - G2412 - G2413

Ø mm	-6	6.5~12	13~20
tol. D µ	0 / -30	0 / -35	0 / -40



MG BR	MG PV200	MG PV200	MG PV200	MG PV200	MG PV200
N	N	N	N	N	N

D	d	l	L	Stock	Stock	Stock	Stock	Stock	Stock
mm 1	4	3	50	●	●				
1.5	4	4.5	50	●	●				
2	4	6	50	●	●				
2	4	9	75			●			
2.5	4	7	50		●				
3	4	8	50	●	●				
3	4	15	75			●			
3.5	4	10	50		●				
4	4	11	50	●	●				
4	4	20	75			●			
4.5	6	13	50		●				
5	6	13	50	●	●				
5	6	25	75			●			
5	6	30	100				●		
5.5	6	13	50		●				
6	6	15	50	●	●				
6	6	25	75			●			
6	6	30	100				●		
6.5	8	17	60		●				
7	8	17	60		●				
7	8	35	100				○		
7.5	8	17	60		●				
8	8	20	60	●	●				
8	8	35	100				●		
8	8	40	150					●	
8.5	10	23	75		●				
9	10	23	75		●				
9	10	40	100				○		
10	10	30	75	●	●				
10	10	40	100				●		
10	10	50	150					●	
10.5	12	25	75		●				
11	12	28	75		●				
11	12	45	100				○		
12	12	30	75	●	●				
12	12	45	100				●		

● stock standard ○ non-standard stock ■ stock exhaustion

n **Vf**
PAGE 295

**OSAWA
NORM**

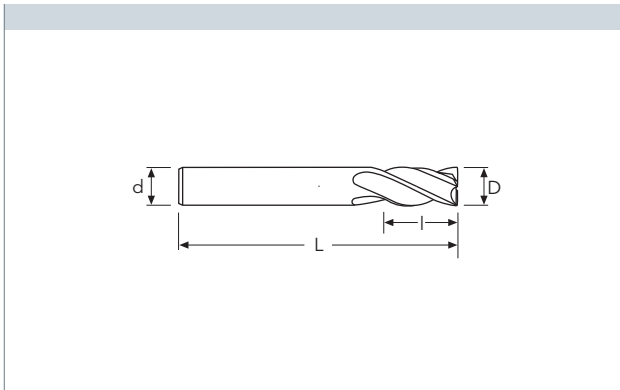
GB405 - G2CS4

Ø mm	-6	6.5~12	13~20
tol. D µ	0 / -20	0 / -25	0 / -30

G2410 - G2411 - G2412 - G2413

Ø mm	-6	6.5~12	13~20
tol. D µ	0 / -30	0 / -35	0 / -40

GB405 G2CS4 G2410 G2411 G2412 G2413



MG	MG	MG	MG	MG	MG
BR	PV200	PV200	PV200	PV200	PV200
N	N	N	N	N	N

D	d	l	L	Stock	Stock	Stock	Stock	Stock	Stock
mm 12	12	50	150						
14	14	26	83		●			●	
16	16	32	92		●				
16	16	70	150					●	
16	16	40	200						●
18	20	40	100		●				
18	20	80	150					○	
20	20	40	100		●				
20	20	80	150					●	
20	20	40	200						●

● stock standard ○ non-standard stock ■ stock exhaustion

TYPHOON

C-SD-TA

LFTA

SUTA

HSS-HSS/CO DRILLS

UH RED

MEX ORANGE

HF EVO

MEF ENDLESS

ALU

MDC

G2

MDTA

ULTRA MILLS

HSS/CO

CARBIDE BURRS

PARAMETERS