



PROFACTOR[®]
DER DEUTSCHE QUALITÄTSSTANDARD

RU



- PF WFH 523.30 –
- PF WFH 523.300
- PF WFH 524.30 –
- PF WFH 524.300
- PF WFH 525.30 –
- PF WFH 525.200
- PF WFH 527.30 –
- PF WFH 527.100

«LUXE»

C

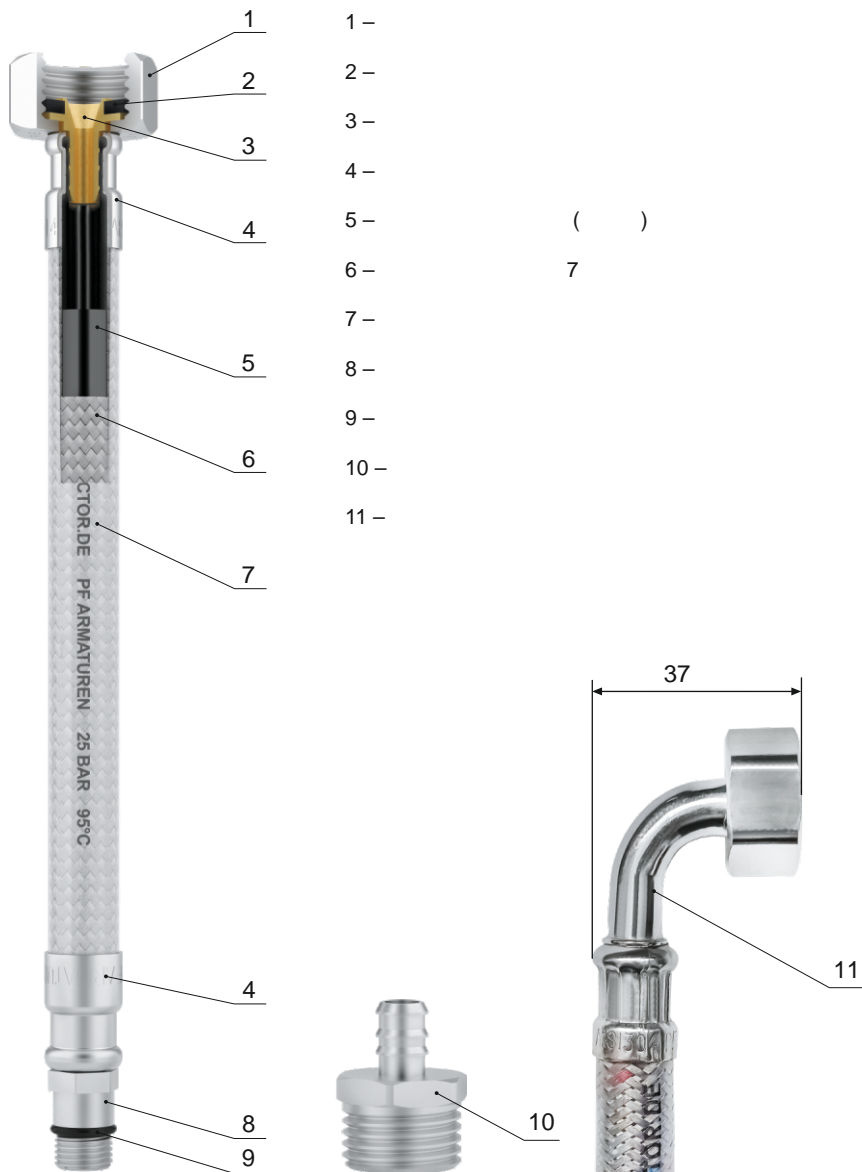
1.

PROFACTOR® LUXE

2.

	PF WFH	523.30 – 523.300	524.30 – 524.300	527.30 – 527.100	525.30 – 525.200
	G	½"Fx½"F	½"Fx½"M	½"Fx½"F	½"FxM10X1
		25			
	°	95			
		100			
3	/	33			25
		75			60
		8,5			7,2
		12,7			10,7
		14,4 ± 0,3			12,4 ± 0,3
		20			

3.



			/
1			AISI 304
2			NBR
3			CW617N/DIN EN 12165
4			AISI 304
5		()	EPDM
6	7	ø0,2	AISI 304
7			LDPE
8		17 /45	CW617N/DIN EN 12165
9			EPDM/DIN ISO 3601
10			CW617N/DIN EN 12165
11			CW617N/DIN EN 12165

4.

«LUXE» ½", /

	1	2	3
PF WFH 523.30	30	210	109
PF WFH 523.40	40	200	132
PF WFH 523.50	50	160	155
PF WFH 523.60	60	120	177
PF WFH 523.80	80	100	222
PF WFH 523.100	100	80	268
PF WFH 523.120	120	60	313
PF WFH 523.150	150	50	381
PF WFH 523.180	180	40	448
PF WFH 523.200	200	40	492
PF WFH 523.250	250	30	607
PF WFH 523.300	300	20	718

«LUXE» ½", /

	↑	↑	↑
PF WFH 524.30	30	210	107
PF WFH 524.40	40	200	130
PF WFH 524.50	50	160	153
PF WFH 524.60	60	120	175
PF WFH 524.80	80	100	221
PF WFH 524.100	100	80	266
PF WFH 524.120	120	60	312
PF WFH 524.150	150	50	379
PF WFH 524.180	180	40	447
PF WFH 524.200	200	40	493
PF WFH 524.250	250	30	606
PF WFH 524.300	300	20	719

«LUXE» ½", /

	↑	↑	↑
PF WFH 527.30	30	210	116
PF WFH 527.40	40	200	135
PF WFH 527.50	50	160	154
PF WFH 527.60	60	120	173
PF WFH 527.80	80	100	210
PF WFH 527.100	100	80	250

«LUXE» ½"xM10 ()

	↑	↑	↑
PF WFH 525.30	30	140	171
PF WFH 525.40	40	120	210
PF WFH 525.50	50	100	248
PF WFH 525.60	60	80	286
PF WFH 525.80	80	60	363
PF WFH 525.100	100	50	442
PF WFH 525.120	120	40	516
PF WFH 525.150	150	30	631
PF WFH 525.200	200	20	825



5.



6.



7.

24



Profactor Armaturen GmbH



INTERNATIONAL WARRANTY CARD

NAME OF THE PRODUCT

PRODUCT CODE, SIZE

A

QUANTITY

SELLER NAME AND ADDRESS

DATE OF PURCHASE

SELLER STAMP

SELLER SIGNATURE

For the warranty term refer to the Warranty obligation clause in the technical manual

« »

FOLD LINE

In case of any claims to the product quantity the following documents should be submitted:

1. Application with customer and product details:
 - Name of the customer, actual address and phone number
 - Article of the product
 - Reason for the claim and photo
 - Plumbing system where installed (name, address, phone number)
2. Invoice copy and receipt
3. Warranty card

1.

2.

3.

RETURN/EXCHANGE COMMENTS

DATE

SIGNATURE

