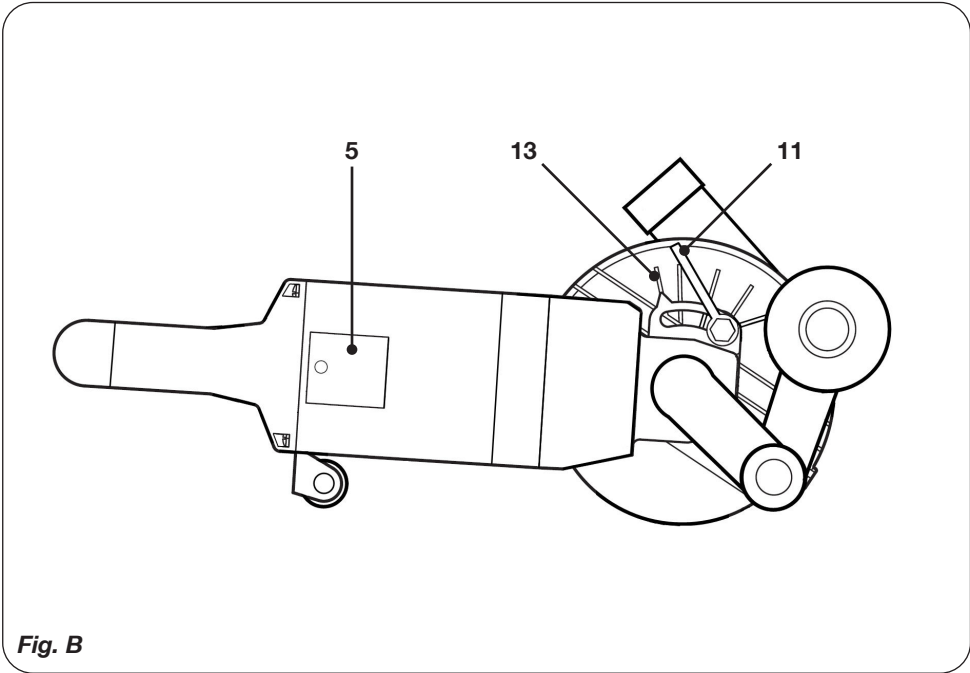
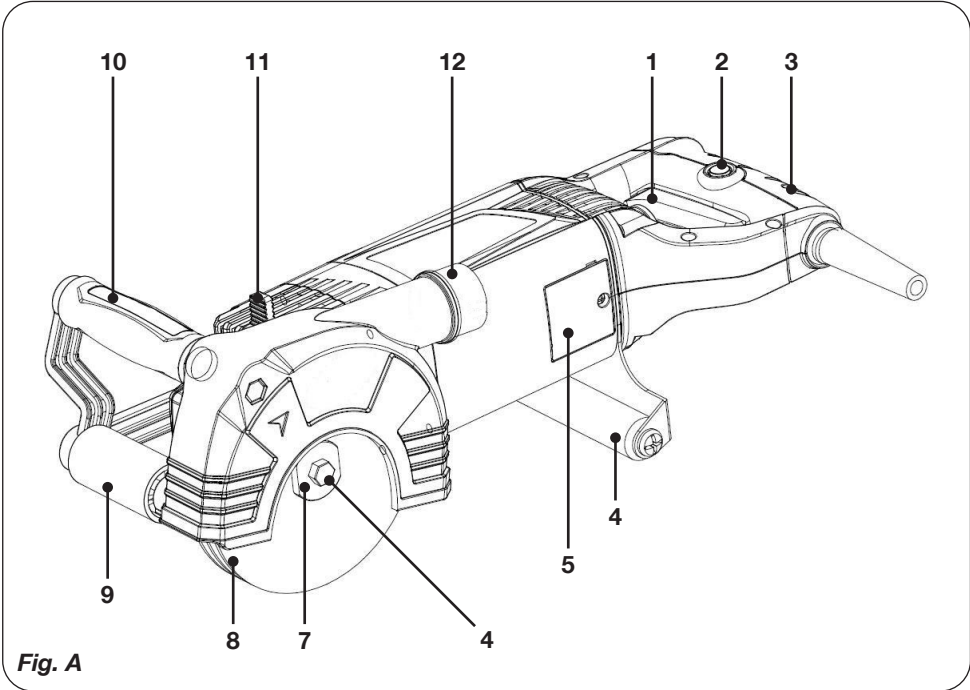
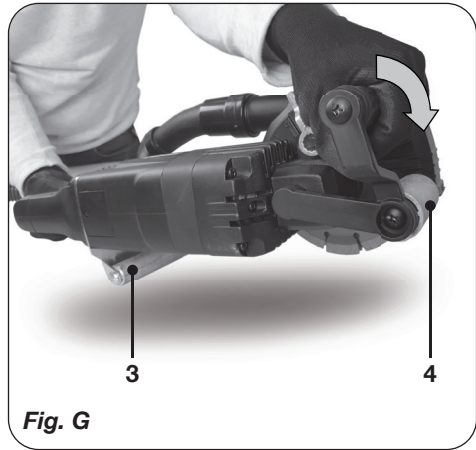
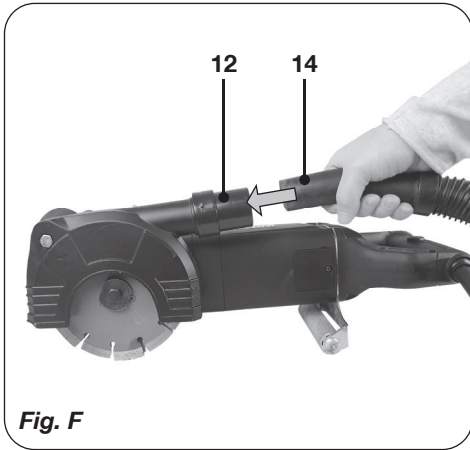
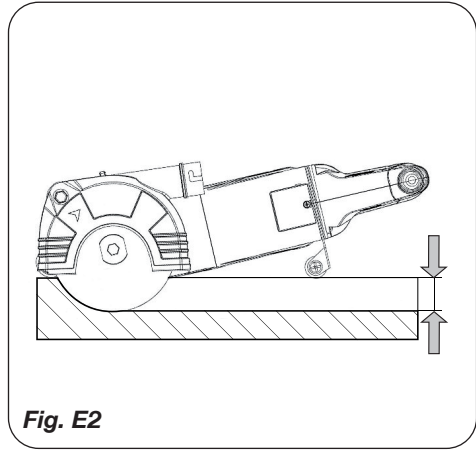
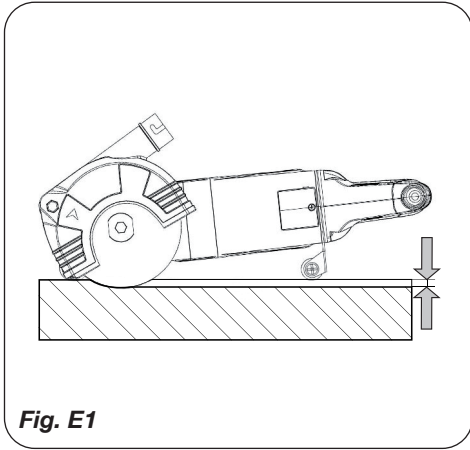
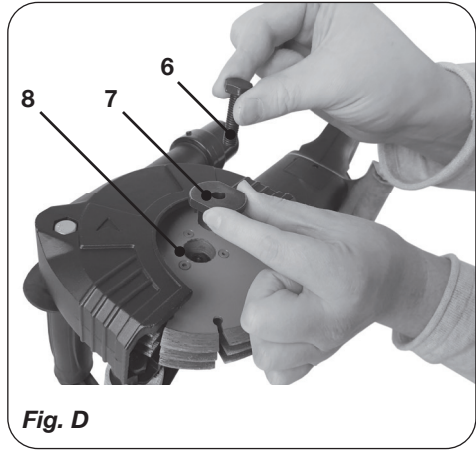
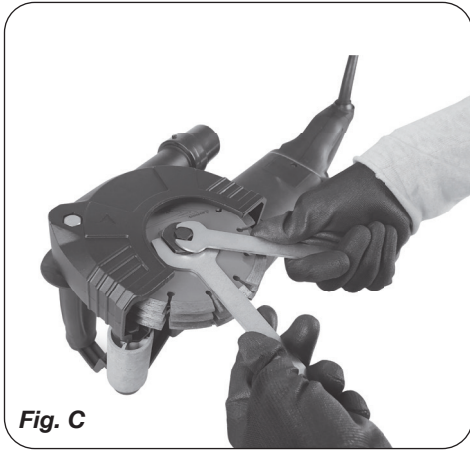




WCM1001P

EN	Original instructions	04
DE	Übersetzung der Originalbetriebsanleitung	10
NL	Vertaling van de oorspronkelijke gebruiksaanwijzing	18
FR	Traduction de la notice originale	25
IT	Traduzione delle istruzioni originali	32
CS	Překlad původního návodu k používání	39
SK	Preklad pôvodného návodu na použitie	46
RU	Перевод исходных инструкций	52





Wall chaser 2400W WCM1001P

Thank you for buying this FERM product. By doing so you now have an excellent product, delivered by one of Europe's leading suppliers. All products delivered to you by Ferm are manufactured according to the highest standards of performance and safety. As part of our philosophy we also provide an excellent customer service, backed by our comprehensive warranty. We hope you will enjoy using this product for many years to come.

1. SAFETY INSTRUCTIONS



Read the enclosed safety warnings, the additional safety warnings and the instructions. Failure to follow the safety warnings and the instructions may result in electric shock, fire and/or serious injury. **Save the safety warnings and the instructions for future reference.**

The following symbols are used in the user manual or on the product:



Read the user manual.



Denotes risk of personal injury, loss of life or damage to the tool in case of nonobservance of the instructions in this manual.



Risk of electric shock.



Immediately remove the mains plug from the mains if the mains cable becomes damaged and during cleaning and maintenance.



Risk of flying objects. Keep bystanders away from the work area.



Always wear eye protection!



Wear hearing protection.



Wear a dust mask.



Wear safety gloves.



Do not use in rain.



Class II machine - Double insulation - You don't need any earthed plug.



Do not dispose of the product in unsuitable containers.



The product is in accordance with the applicable safety standards in the European directives.

Safety Warnings Common for Grinding or Abrasive Cutting-Off Operations:

- This power tool is intended to function as a grinder tool. Read all safety warnings, instructions, illustrations and specifications provided with this power tool.** Failure to follow all instructions listed below may result in electric shock, fire and/or serious injury.
- Operations such as sanding, wire brushing, polishing are not recommended to be performed with this power tool.** Operations for which the power tool was not designed may create a hazard and cause personal injury.
- Do not use accessories which are not specifically designed and recommended by the tool manufacturer.** Just because the accessory can be attached to your power tool, it does not assure safe operation.
- The rated speed of the accessory must be at least equal to the maximum speed marked on the power tool.** Accessories running faster than their rated speed can break and fly apart.
- The outside diameter and the thickness of your accessory must be within the capacity rating of your power tool.** Incorrectly sized accessories cannot be adequately guarded or controlled.

- f) **Threaded mounting of accessories must match the grinder spindle thread. For accessories mounted by flanges, the arbour hole of the accessory must fit the locating diameter of the flange.** *Accessories that do not match the mounting hardware of the power tool will run out of balance, vibrate excessively and may cause loss of control.*
- g) **Do not use a damaged accessory. Before each use inspect the accessory such as abrasive wheels for chips and cracks, backing pad for cracks, tear or excess wear, wire brush for loose or cracked wires. If power tool or accessory is dropped, inspect for damage or install an undamaged accessory. After inspecting and installing an accessory, position yourself and bystanders away from the plane of the rotating accessory and run the power tool at maximum no-load speed for one minute. Damaged accessories will normally break apart during this test time.**
- h) **Wear personal protective equipment. Depending on application, use face shield, safety goggles or safety glasses. As appropriate, wear dust mask, hearing protectors, gloves and workshop apron capable of stopping small abrasive or workpiece fragments.** *The eye protection must be capable of stopping flying debris generated by various operations. The dust mask or respirator must be capable of filtering particles generated by your operation. Prolonged exposure to high intensity noise may cause hearing loss.*
- i) **Keep bystanders a safe distance away from work area. Anyone entering the work area must wear personal protective equipment.** *Fragments of workpiece or of a broken accessory may fly away and cause injury beyond immediate area of operation.*
- j) **Hold the power tool by insulated gripping surfaces only, when performing an operation where the cutting accessory may contact hidden wiring or its own cord.** *Cutting accessory contacting a "live" wire may make exposed metal parts of the power tool "live" and could give the operator an electric shock.*
- k) **Position the cord clear of the spinning accessory. If you lose control, the cord may be cut or snagged and your hand or arm may be pulled into the spinning accessory.**
- l) **Never lay the power tool down until the accessory has come to a complete stop.** *The spinning accessory may grab the surface and pull the power tool out of your control.*
- m) **Do not run the power tool while carrying it at your side.** *Accidental contact with the spinning accessory could snag your clothing, pulling the accessory into your body.*
- n) **Regularly clean the power tool's air vents.** *The motor's fan will draw the dust inside the housing and excessive accumulation of powdered metal may cause electrical hazards.*
- o) **Do not operate the power tool near flammable materials.** *Sparks could ignite these materials.*
- p) **Do not use accessories that require liquid coolants.** *Using water or other liquid coolants may result in electrocution or shock.*

Kickback and Related Warnings

Kickback is a sudden reaction to a pinched or snagged rotating wheel, backing pad, brush or any other accessory. Pinching or snagging causes rapid stalling of the rotating accessory which in turn causes the uncontrolled power tool to be forced in the direction opposite of the accessory's rotation at the point of the binding.

For example, if an abrasive wheel is snagged or pinched by the workpiece, the edge of the wheel that is entering into the pinch point can dig into the surface of the material causing the wheel to climb out or kick out. The wheel may either jump toward or away from the operator, depending on direction of the wheel's movement at the point of pinching. Abrasive wheels may also break under these conditions. Kickback is the result of power tool misuse and/or incorrect operating procedures or conditions and can be avoided by taking proper precautions as given below.

- a) **Maintain a firm grip on the power tool and position your body and arm to allow you to resist kickback forces. Always use auxiliary handle, if provided, for maximum control over kickback or torque reaction during start-up.** *The operator can control torque reactions or kickback forces, if proper precautions are taken.*

- b) **Never place your hand near the rotating accessory.** *Accessory may kickback over your hand.*
- c) **Do not position your body in the area where power tool will move if kickback occurs.** *Kickback will propel the tool in direction opposite to the wheel's movement at the point of snagging.*
- d) **Use special care when working corners, sharp edges etc. Avoid bouncing and snagging the accessory.** *Corners, sharp edges or bouncing have a tendency to snag the rotating accessory and cause loss of control or kickback.*
- e) **Do not attach a saw chain woodcarving blade or toothed saw blade.** *Such blades create frequent kickback and loss of control.*

Additional Safety Warnings

- **People below the age of 16 may not use the machine.**
- **The user or operator must be familiar with the content of this instruction manual.**
- **Before chasing in load-bearing walls, consult with the responsible structural engineer, architect or site supervisor.**
- **Use the power tool only when included guard is installed. Guard must be securely fitted to power tool and adjusted to guarantee the best possible safety level, which means that cutting disc part facing operator must be shielded as much as possible.** *The guard must protect the operator against splinters and accidental contact with cutting disc.*
- **Use only diamond cutting discs.** *Possibility of equipment installation in the power tool alone does not guarantee safe use.*
- **Use diamond cutting discs only for tasks they are designed for. For example, never grind with side surface of a cutting disc.** *Cutting discs are designed to remove material with disc edge. Applying side force may break disc of this type.*
- **Always use undamaged fixing flanges with size matching to cutting disc.** *Proper flanges support cutting disc and reduce risk of breaking.*
- **Secure the work area, also behind openings and cut-outs.** *Unsecured work areas can endanger you and other people.*
- **Watch out for open and concealed electricity cables, as well as water and gas pipes. Use suitable detectors to find concealed utility pipes and/or cables, or contact a local utility company for advice.** *Contact with electricity cables can cause fires and an electric shock. Damage to a gas pipe can cause an explosion. Penetrating a water pipe causes damage to property or could cause an electric shock.*
- **Whenever power tool can hit hidden electric wires or its own power cord during operation, hold it only by insulated handle.** *When in contact with live wires all metal parts of the power tool are live too, this may cause electric shock of the operator.*
- **Avoid causing situations where other people can stumble or trip.** *Tripping over cables can cause serious injuries.*
- **Secure the workpiece.** *A workpiece securely held in clamping devices or a vice is more safely held than in the hand.*
- **Avoid dust accumulation in the workplace.** *Dusts can easily ignite.*
- **Ensure adequate ventilation in closed rooms.** *Risk due to dust and impaired vision.*
- **Dust from materials such as coatings containing lead, several types of wood, minerals and metals can be harmful to health and cause allergic reactions, respiratory diseases and/or cancer.** *Asbestos-containing material may only be machined by specialists.*
 - *Wherever possible, use a industrial type vacuum cleaner suitable for the material you are working on.*
 - *Ensure the workplace is properly ventilated.*
 - *Observe the relevant regulations in your country for the materials to be machined.*
- **Keep power cord away from rotating working tools.** *Loss of control over the power tool can lead to cutting or catching the power cord, also hand or whole arm can get into rotating work tool.*
- **Do not carry power tool when it is rotating.** *Accidental contact of rotating working tool with clothes may cause its catching and plunging of working tool into operator's body.*
- **Do not start working before the power tool reaches its full rotary speed.**
- **Do not expose diamond dry-cutting discs to**

lateral pressure.

- **Never use diamond dry-cutting discs for rough grinding.**

Electrical safety

When using electric machines always observe the safety regulations applicable in your country to reduce the risk of fire, electric shock and personal injury. Read the following safety instructions and also the enclosed safety instructions.



Always check that the voltage of the power supply corresponds to the voltage on the rating plate label.



Class II machine - Double insulation - You don't need any earthed plug.

If operating a power tool in a damp location is unavoidable, use a residual current device (RCD) protected supply. Use of an RCD reduces the risk of electric shock.

2. MACHINE INFORMATION**Intended use**

This power tool is designed for dry cutting in masonry (brick, lime-sand blocks, undressed stone) and concrete. It must not be used for wet cutting or for cuts in metal, glass, wood, etc.

Technical specifications

Model no. machine	WCM1001P
Model no. cutting disc	WCA1001
Mains voltage	230 V~
Mains frequency	50 Hz
Power input	2400W
No-load speed	8.000 /min
Disc diameter	150mm
Disc bore	22.2mm
Max. cutting depth	43mm
Cutting width	30mm
Weight	6.2 kg
Sound pressure (LPA)	97 + 3 dB(A)
Acoustic power (LWA)	108 + 3 dB(A)
Vibration ah	10.94 + 1.5 m/s ²

Vibration level

The vibration emission level stated in this instruction manual has been measured in accordance with a standardised test given in

EN 60745; it may be used to compare one tool with another and as a preliminary assessment of exposure to vibration when using the tool for the applications mentioned

- using the tool for different applications, or with different or poorly maintained accessories, may significantly increase the exposure level
- the times when the tool is switched off or when it is running but not actually doing the job, may significantly reduce the exposure level

Protect yourself against the effects of vibration by maintaining the tool and its accessories, keeping your hands warm, and organizing your work patterns.

Description

The numbers in the text refer to the diagrams on pages 2-3.

1. On/off switch
2. Lock-off switch
3. Rear handle
4. Rear roller
5. Carbon brush cover
6. Blade bolt
7. Outer flange
8. Diamond disc
9. Front roller
10. Front handle
11. Depth adjustment lever
12. Dust extraction port
13. Depth adjustment scale
14. Vacuum hose

3. ASSEMBLY

Before assembly, always switch off the machine and remove the mains plug from the mains.

Mounting and replacing the disc

Fig. A, C, D



A broken or damaged disc must be replaced immediately.



Use only discs whose allowable rotary speed is higher or equal to maximum no-load speed of the machine.

The wall chaser is designed to work with special 3-in-1 discs. Only use discs approved by the manufacturer.

1. Hold the outer flange (7) using the supplied large spanner.
2. Remove the bolt (6) using the supplied small spanner.
Note: the bolt has a left hand thread.
3. Remove the outer flange (7).
4. Mount the disc (8) onto the spindle. Ensure the arrow on the housing correspond with the arrow on the disc (8).
Note: the spindle does not protrude the hole of the disc (8).
5. Put the outer flange (7) into the hole of the disc. Rotate the outer flange (7) while pressing it, until it is fully tightened.
6. Tighten the bolt (6).
7. Use the large spanner to hold the outer flange (7). Now tighten the bolt (6), using the small spanner.

To remove the disc, follow the installation procedure in reverse sequence.

Dust extraction

Fig. A, F



Provide good ventilation at the workplace.



Wear dust protection.

The dust from certain materials such as such as particulate matter can be harmful to your health. Breathing in this dust can cause allergic reactions and/or cause respiratory illnesses for the user or people in the near vicinity. Therefore a dust extraction system that is suitable for the material must be used. To do so:



The dust extractor must be suitable for the material being worked.



When vacuuming dry dust that is especially detrimental to health or carcinogenic, use a special dust extractor.

A vacuum cleaner hose (14) can be connected to the dust extraction port (12). When starting to work, first switch on the dust extraction system,

e.g. industrial vacuum cleaner, next switch on the wall chaser. When the work is finished proceed inversely – switch off the wall chaser first, next the vacuum cleaner.



Avoid dust accumulation at the workplace. Dust can easily ignite.

The dust extraction system can be blocked by dust, chips or fragments of the workpiece. Thus, it must be cleaned regularly. To do so:

1. Disconnect the mains plug from the power supply.
2. Wait until the disc (8) has come to a complete stop.
3. Remove any blockage if necessary.

4. OPERATION

Adjusting the cutting depth

Fig. B, E



Set the chase depth before starting to work and with the device switched off.

1. Loosen the lever (11) by moving it backwards.
2. Adjust to the required cutting depth, as shown on figure E. The depth can be read on the scale (13).
3. Tighten the lever (11) by moving it forwards.

Switching on and off

Fig. A

- To switch on the machine, keep the lock-off button (2) pressed and simultaneously press the on/off switch (1).
- To switch off the machine, release the on/off switch (1).

Making a cut

Fig. A, G



The wall chaser is designed only for straight cuts. Making curved or round cuts is not allowed.



The tool is designed for dry cuts only.



Always hold the tool with two hands on the insulated handles.

1. Draw lines to define the direction in which to guide the discs.
2. Mount a vacuum cleaner to the dust outlet.
3. Set the cutting depth.
4. Position the rear roller (4) on the wall surface.
Note that the disc should not yet touch the wall surface.
5. Switch the wall chaser on and wait until the discs reach full rotational speed.
6. Gradually lower the wall chaser, plunging the discs into the wall surface.
7. As soon as the front roller (9) rests on the wall surface, continue with the cut and move the wall chaser forward and away from you (in direction opposite to rotation of cutting disc).
8. Slowly move the machine along the pre-drawn lines, firmly pressing the wheels against the wall.

Note: Do not apply too much pressure on the machine. Let the machine do the work. Applying excessive pressure may cause motor overheating and damage of the cutting disc.

9. To end the cut, switch off the machine and wait until the discs have stopped completely. Afterwards remove the discs from the chase and put down the machine.



After switching the wall chaser off, do not force the braking of the rotating disc by pressing it against processed material.



Cutting discs heat up to high temperatures during operation – do not touch them with unprotected parts of your body before they cool down.

Note: When cutting very hard materials, cutting disc may be overheated and become damaged in consequence. Excessive sparks around the cutting disc indicate overheating. When it appears, stop cutting and cool down the disc by running it with full rotational speed with no load for 3–5 minutes. A decrease of cutting efficiency and constant excessive sparks around the cutting disc may indicate a blunt cutting disc.

5. MAINTENANCE



Before cleaning and maintenance, always switch off the machine and remove the mains plug from the mains.

Clean the machine casings regularly with a soft cloth, preferably after each use. Make sure that the ventilation openings are free of dust and dirt. Remove very persistent dirt using a soft cloth moistened with soapsuds. Do not use any solvents such as gasoline, alcohol, ammonia, etc. Chemicals such as these will damage the synthetic components.

ENVIRONMENT



Faulty and/or discarded electrical or electronic apparatus have to be collected at the appropriate recycling locations.

Only for EC countries

Do not dispose of power tools into domestic waste. According to the European Guideline 2012/19/EC for Waste Electrical and Electronic Equipment and its implementation into national right, power tools that are no longer usable must be collected separately and disposed of in an environmentally friendly way.

WARRANTY

FERM products are developed to the highest quality standards and are guaranteed free of defects in both materials and workmanship for the period lawfully stipulated starting from the date of original purchase. Should the product develop any failure during this period due to defective material and/or workmanship then contact your FERM dealer directly.

The following circumstances are excluded from this guarantee:

- Repairs and or alterations have been made or attempted to the machine by unauthorized service centers.
- Normal wear and tear.
- The tool has been abused, misused or improperly maintained.
- Non-original spare parts have been used

This constitutes the sole warranty made by company either expressed or implied. There are no other warranties expressed or implied which extend beyond the face hereof, herein, including

the implied warranties of merchantability and fitness for a particular purpose. In no event shall FERM be liable for any incidental or consequential damages. The dealers remedies shall be limited to repair or replacement of nonconforming units or parts.

The product and the user manual are subject to change. Specifications can be changed without further notice.

Mauemutfräse 2400W WCM1001P

Vielen Dank für den Kauf dieses Ferm Produkts. Hiermit haben Sie ein ausgezeichnetes Product erworben, dass von einem der führenden Lieferanten Europas geliefert wird. Alle von Ferm an Sie gelieferten Produkte sind nach den höchsten Standards von Leistung und Sicherheit gefertigt. Teil unserer Firmenphilosophie ist es auch, Ihnen einen ausgezeichneten Kundendienst anbieten zu können, der von unserer umfassenden Garantie unterstützt wird. Wir hoffen, dass Sie viele Jahre Freude an diesem Produkt haben.

1. SICHERHEITSANWEISUNGEN



Lesen Sie die beiliegenden Sicherheitsanweisungen, die zusätzlichen Sicherheitsanweisungen sowie diese Bedienungsanleitung sorgfältig durch. Bei Nichtbeachten der Sicherheitsanweisungen und der Bedienungsanleitung kann es zu einem Stromschlag, einem Brand und/oder schweren Verletzungen kommen. **Bewahren Sie die Sicherheitsanweisungen und die Bedienungsanleitung zur künftigen Bezugnahme sicher auf.**

Folgende Symbole werden im Benutzerhandbuch oder auf dem Produkt verwendet:



Benutzerhandbuch/Bedienungsanleitung lesen.



Lebens- und Verletzungsgefahr und Gefahr von Beschädigungen am Werkzeug/Gerät bei Nichteinhaltung der Anweisungen in dieser Bedienungsanleitung.



Gefahr eines Stromschlags.



Ziehen Sie sofort den Netzstecker aus der Steckdose, falls das Netzkabel beschädigt wird, sowie bei der Reinigung und Wartung.



Gefahr von herumfliegenden Gegenständen. Unbeteiligte vom Arbeitsbereich fernhalten.



Immer Augenschutz tragen!



Gehörschutz tragen.



Tragen Sie eine Staubmaske.



Schutzhandschuhe tragen.



Nicht im Regen benutzen.



Werkzeug/Gerät der Schutzklasse II - schutzisoliert - kein Schutzkontakt anschluss erforderlich.



Produkt vorschriftsmäßig entsorgen, nicht über den Hausmüll



Das Produkt entspricht den geltenden Sicherheitsnormen der europäischen Richtlinien.

Gemeinsame Sicherheitshinweise für das Schleifen und abrasive Trennen:

- a) Dieses Elektrowerkzeug ist als Schleifwerkzeug vorgesehen. Lesen Sie alle Sicherheitshinweise, Anweisungen, Abbildungen und technischen Daten, die mit diesem Elektrowerkzeug geliefert werden. Das Nichtbeachten einer der im Folgenden aufgeführten Sicherheitsanweisungen kann zu Stromschlag, Feuer und/oder schweren Verletzungen führen.
- b) Die Durchführung von Arbeiten wie Schmirgeln, Drahtbürsten oder Polieren mit diesem Elektrowerkzeug wird nicht empfohlen. Arbeiten, für die das Elektrowerkzeug nicht konzipiert ist, können unter Umständen zu Gefahrensituationen und Verletzungen führen.
- c) Verwenden Sie kein Zubehör, das nicht speziell vom Hersteller entwickelt und empfohlen wurde. Auch wenn ein Zubehörteil auf das Elektrowerkzeug passt, gewährleistet dies keinen sicheren Betrieb.
- d) Die Nenndrehzahl des Zubehörteils muss mindestens der auf dem Elektrowerkzeug angegebenen Maximaldrehzahl entsprechen. Zubehörteile, die mit mehr als Ihrer Nenndrehzahl laufen, können brechen und zerspringen.
- e) Der Außendurchmesser und die Dicke Ihres Zubehörteils müssen innerhalb der Nennwerte Ihres Elektrowerkzeugs liegen. Nicht passende Zubehörteile können nicht ordnungsgemäß gesichert oder kontrolliert werden.
- f) Einsatzwerkzeuge mit Gewindeeinsatz müssen genau auf das Gewinde der Schleifspindel passen. Bei Einsatzwerkzeugen, die mittels Flansch montiert werden, muss der Lochdurchmesser des Einsatzwerkzeuges zum Aufnahmedurchmesser des Flansches passen. Einsatzwerkzeuge, die nicht genau am Elektrowerkzeug befestigt werden, drehen sich ungleichmäßig, vibrieren sehr stark und können zum Verlust der Kontrolle führen.
- g) Verwenden Sie keine beschädigten Zubehörteile. Prüfen Sie vor jeder Verwendung das Zubehör wie Schleifscheiben auf Absplitterungen und Risse, die Stützteller auf Risse, Sprünge oder übermäßigen Verschleiß und die Drahtbürsten auf lose oder rissige Drähte. Wenn das Elektrowerkzeug oder Zubehör fallen gelassen wird, ist es auf Schäden zu prüfen oder ein unbeschädigtes Zubehörteil zu installieren. Halten Sie sich und Unbeteiligte nach der Überprüfung und Montage eines Zubehörteils von der Rotationsebene des Zubehörs fern und lassen Sie das Elektrowerkzeug eine Minute lang bei maximaler Leerlaufdrehzahl laufen. Während dieses Prüfzeitraums brechen beschädigte Zubehörteile in der Regel auseinander.
- h) Tragen Sie persönliche Schutzausrüstung. Verwenden Sie je nach Anwendung einen Gesichtsschutz, eine Schutzbrille oder eine Sicherheitsbrille. Tragen Sie nach Bedarf eine Staubmaske, Gehörschutz, Handschuhe und eine Werkstattschürze zum Schutz vor kleinen Abrieb- oder Werkstückteilen. Der Augenschutz muss die bei verschiedenen

Arbeiten entstehenden fliegenden Trümmerteile abhalten können. Die Staubmaske oder das Atemschutzgerät muss bei der Arbeit entstehende Partikel filtern können. Lang anhaltende Lärmbelastung kann zu Hörverlust führen.

- i) **Halten Sie Unbeteiligte in sicherem Abstand zum Arbeitsbereich. Personen, die den Arbeitsbereich betreten, müssen persönliche Schutzkleidung tragen.** *Werkstückteile oder Teile von beschädigtem Zubehör können sich unter Umständen lösen und auch außerhalb des unmittelbaren Betriebsbereichs zu Verletzungen führen.*
- j) **Halten Sie das Elektrowerkzeug ausschließlich an den isolierten Griffflächen, wenn Sie Arbeiten durchführen, bei denen das Schneidwerkzeug in Kontakt mit verborgenen Elektroleitungen oder dem eigenen Netzkabel kommen kann.** *Bei Kontakt des Schneidwerkzeugs mit einem stromführenden Kabel wird der Strom an die Metallteile des Elektrowerkzeugs und dadurch an den Bediener weitergeleitet, und der Bediener erleidet einen Stromschlag.*
- k) **Halten Sie das Kabel von drehenden Zubehörteilen fern.** *Wenn Sie die Kontrolle über das Gerät verlieren, kann das Netzkabel zerschnitten werden oder sich verheddern, und Ihre Hand oder Ihr Arm können in drehende Zubehörteile gezogen werden.*
- l) **Legen Sie das Elektrowerkzeug niemals ab, bevor das Zubehör vollständig zum Stillstand gekommen ist.** *Die drehenden Zubehörteile können auf der Oberfläche festhängen und das Elektrowerkzeug aus Ihrer Hand reißen.*
- m) **Verwenden Sie das Gerät nicht, während Sie es an Ihrer Seite tragen.** *Durch unbeabsichtigten Kontakt mit drehenden Zubehörteilen könnten Ihre Kleidung eingeklemmt und das Zubehör zu Ihrem Körper hin gezogen werden.*
- n) **Reinigen Sie die Lüftungsschlitze des Elektrowerkzeugs regelmäßig.** *Der Lüfter des Motors zieht Staub ins Gehäuse hinein, und die übermäßige Ansammlung von Metallstaub kann zu elektrischen Gefahren führen.*
- o) **Arbeiten Sie mit dem Werkzeug nicht in der Nähe von entzündlichen Stoffen.** *Diese Stoffe könnten sich durch Funkenbildung entzünden.*
- p) **Verwenden Sie kein Zubehör, bei dem**

flüssige Kühlmittel erforderlich sind. *Die Verwendung von Wasser oder anderen flüssigen Kühlmitteln kann zu Stromschlägen führen.*

Warnungen in Verbindung mit Rückschlag

Ein Rückschlag ist eine plötzliche Reaktion darauf, wenn eine drehende Scheibe, ein Stützteller, eine Bürste oder ein anderes Zubehörteil eingeklemmt wird oder sich verheddert. Das Einklemmen oder Verheddern führt zu einem plötzlichen Anhalten des drehenden Zubehörs, was wiederum dazu führt, dass das Elektrowerkzeug sich unkontrolliert entgegen der Drehrichtung zum Zeitpunkt des Festklemmens bewegt. Wenn beispielsweise eine Schleifscheibe im Werkstück eingeklemmt wird oder sich verheddert, kann sich die Kante der Scheibe, die in die eingeklemmte Stelle eindringt, in die Oberfläche des Materials graben, wodurch die Schleifscheibe aus dem Schnitt „herausklettert“. Die Scheibe kann dann entweder auf den Bediener zu oder von diesem weg schnellen, je nach Drehrichtung der Scheibe zum Zeitpunkt des Festklemmens. Auch ein Brechen der Schleifscheibe ist unter diesen Umständen möglich. Ein Rückschlag ist das Ergebnis einer unsachgemäßen Bedienung des Elektrowerkzeugs und/oder von nicht ordnungsgemäßen Bedienungsabläufen oder -bedingungen und lässt sich durch Ergreifen der richtigen Vorsichtsmaßnahmen wie im Folgenden angegeben vermeiden.

- a) **Halten Sie das Elektrowerkzeug gut fest und halten Sie Ihren Körper und Arm so, dass Sie Rückschlagkräften widerstehen können.** **Verwenden Sie immer einen Zusatzhandgriff, falls vorhanden, um bei einem Rückschlag oder bei einem Gegendrehmoment während des Startens maximale Kontrolle über das Elektrowerkzeug zu behalten.** *Mit den richtigen Vorsichtsmaßnahmen kann der Bediener auch bei einem Rückschlag oder bei einem Gegendrehmoment während des Startens die Kontrolle über das Gerät behalten.*
- b) **Halten Sie unbedingt Ihre Hände von den drehenden Zubehörteilen fern.** *Gefahr eines Rückschlags über Ihre Hand.*
- c) **Halten Sie Ihren Körper aus dem Bereich fern, in den sich das Elektrowerkzeug**

bei einem Rückschlag bewegt. Bei einem Rückschlag wird das Elektrowerkzeug in die entgegengesetzte Richtung zur Scheibenbewegung zum Schleifzeitpunkt getrieben.

- d) **Gehen Sie bei der Bearbeitung von Ecken, scharfen Kanten usw. mit besonderer Vorsicht vor. Vermeiden Sie Sprünge und das Einklemmen des Zubehörs.** Bei Ecken, scharfen Kanten oder Sprüngen kann das drehende Zubehör leicht fest klemmen, was zu einem Verlust der Kontrolle oder einem Rückschlag führen kann.
- e) **Verwenden Sie keine Holzklingen für Sägeketten oder Sägeblätter.** Solche Klingen führen zu häufigen Rückschlägen und Verlusten der Kontrolle über das Elektrowerkzeug.

Spezielle Sicherheitsvorschriften

- **Personen unter 16 Jahren dürfen das Gerät nicht benutzen.**
- **Der Benutzer oder Bediener muss mit dem Inhalt dieser Bedienungsanleitung vertraut sein.**
- **Bevor Sie Nuten in tragende Wände fräsen, sollten Sie sich mit dem zuständigen Statiker, Architekten oder Bauleiter beraten.**
- **Verwenden Sie das Elektrowerkzeug nur, wenn die mitgelieferte Schutzvorrichtung angebracht ist. Die Schutzvorrichtung muss sicher am Elektrowerkzeug angebracht und so eingestellt werden, dass das bestmögliche Sicherheitsniveau gewährleistet ist. Das bedeutet, dass das dem Bediener zugewandte Trennscheibenteil so weit wie möglich abgeschirmt werden muss. Die Schutzvorrichtung muss den Bediener vor Splittern und versehentlichem Kontakt mit der Trennscheibe schützen.**
- **Verwenden Sie nur Diamanttrennscheiben. Die Möglichkeit des Geräteeinbaus in das Elektrowerkzeug allein garantiert noch keine sichere Nutzung.**
- **Verwenden Sie Diamanttrennscheiben nur für Aufgaben, für die sie vorgesehen sind. Schleifen Sie zum Beispiel niemals mit der Seitenfläche einer Trennscheibe. Trennscheiben sind so konstruiert, dass sie Material mit der Scheibenkante entfernen.**

Bei seitlicher Kraftanwendung kann eine solche Scheibe brechen.

- **Verwenden Sie immer unbeschädigte Befestigungsflansche, deren Größe derjenigen der Trennscheibe entspricht.** Passende Flansche unterstützen die Trennscheibe und verringern die Bruchgefahr.
- **Sichern Sie den Arbeitsbereich, auch hinter Öffnungen und Ausschnitten.** Ungesicherte Arbeitsbereiche können Sie und andere Personen gefährden.
- **Achten Sie auf offene und verdeckte Stromkabel sowie auf Wasser- und Gasleitungen. Verwenden Sie geeignete Detektoren, um verdeckte Versorgungsleitungen und/oder -kabel zu finden, oder lassen Sie sich von einem örtlichen Versorgungsunternehmen beraten. Der Kontakt mit Stromkabeln kann zu Brand und Stromschlag führen. Die Beschädigung einer Gasleitung kann eine Explosion verursachen. Das Eindringen in eine Wasserleitung verursacht Sachschäden oder könnte zu einem Stromschlag führen.**
- **Wann immer ein Elektrowerkzeug während des Betriebs auf verborgene elektrische Drähte oder das eigene Stromkabel treffen kann, darf es nur an einem isolierten Griff gehalten werden. Bei Kontakt mit stromführenden Drähten stehen auch alle Metallteile des Elektrowerkzeugs unter Spannung, dies kann zu einem Stromschlag für den Bediener führen.**
- **Vermeiden Sie es, Situationen zu verursachen, in denen andere Personen stolpern können. Das Stolpern über Kabel kann zu schweren Verletzungen führen.**
- **Sichern Sie das Werkstück. Ein in Spannvorrichtungen oder einem Schraubstock sicher gehaltenes Werkstück wird sicherer gehalten als mit der Hand.**
- **Staubansammlung am Arbeitsplatz vermeiden. Stäube können sich leicht entzünden.**
- **Sorgen Sie in geschlossenen Räumen für ausreichende Belüftung. Risiken durch Staub und Sehbehinderung.**
- **Staub von Materialien, z.B. von bleihaltigen Beschichtungen, verschiedenen Holzarten, Mineralien und Metallen, kann gesundheitsschädlich sein und allergische**

Reaktionen, Atemwegserkrankungen und/oder Krebs verursachen. Asbesthaltiges Material darf nur von Spezialisten bearbeitet werden.

- Wo immer möglich, verwenden Sie einen Industriestaubsauger, der für das zu bearbeitende Material geeignet ist.
- Stellen Sie sicher, dass der Arbeitsplatz richtig belüftet wird.
- Beachten Sie die entsprechenden Vorschriften Ihres Landes für die zu bearbeitenden Materialien.
- **Halten Sie Kabel von rotierenden Werkzeugen fern.** Der Verlust der Kontrolle über das Elektrowerkzeug kann dazu führen, dass das Stromkabel durchtrennt oder eingeklemmt wird oder dass die Hand oder der ganze Arm in das rotierende Werkzeug gerät.
- **Tragen Sie kein Elektrowerkzeug, das noch läuft.** Unbeabsichtigter Kontakt eines laufenden Werkzeugs mit der Kleidung kann dazu führen, dass es sich darin verfängt und in den Körper des Bedieners gezogen wird.
- **Beginnen Sie erst mit der Arbeit, wenn das Elektrowerkzeug seine volle Drehgeschwindigkeit erreicht hat.**
- **Diamant-Trockenschneidscheiben dürfen keinem seitlichen Druck ausgesetzt werden.**
- **Verwenden Sie niemals Diamant-Trockenschneidscheiben für den Grobschliff.**

Sicherheit bei Elektrizität

Beachten Sie bei der Arbeit mit elektrischen Werkzeugen/Geräten stets die in Ihrem Land geltenden Sicherheitsvorschriften, um Personenschäden, Stromschläge und Brände zu vermeiden. Lesen Sie die folgenden Sicherheitshinweise sowie die beiliegenden Sicherheitshinweise sorgfältig durch.



Stellen Sie immer sicher, dass die Spannung der Stromversorgung der Nennspannung auf dem Typenschild des Werkzeugs/Geräts entspricht.



Werkzeug/Gerät der Schutzklasse II - schutzisoliert - kein Schutzkontaktanschluss erforderlich

Wenn sich Arbeiten mit einem Elektrowerkzeug in feuchten Umgebungen nicht vermeiden lassen, verwenden Sie eine Stromversorgung mit einer Fehlerstrom-Schutzeinrichtung (RCD). Durch die Verwendung einer RCD wird die Gefahr eines elektrischen Schlags verringert.

2. ANGABEN ZUM WERKZEUG

Verwendungszweck

Dieses Elektrowerkzeug ist zum Trockenschneiden in Mauerwerk (Ziegel, Kalksandstein, Naturstein) und Beton vorgesehen. Es darf nicht zum Nassschneiden oder für Schnitte in Metall, Glas, Holz usw. verwendet werden.

Technische Daten

Modellnummer Werkzeug	WCM1001P
Modellnummer Schneidscheibe	WCA1001
Netzspannung	230 V~
Netzfrequenz	50 Hz
Leistungsaufnahme	2400W
Drehmomenteinstellungen	8000 /min
Scheibendurchmesser	150mm
Scheibenbohrung	22,2mm
Max. Schnitttiefe	43mm
Schnittbreite	30mm
Gewicht	6,2 kg
Schalldruckpegel LPA	97 + 3 dB(A)
Schalleistungspegel LWA	108 + 3 dB(A)
Schwingung ah	10,94 + 1,5 m/s ²

Vibrationsintensität

Die in dieser Bedienungsanleitung angegebene Vibrationsintensität wurde mit einem standardisierten Test gemäß EN60745 gemessen. Anhand dieser Größe können Werkzeuge miteinander verglichen werden. Außerdem eignet sich diese Größe für eine erste Beurteilung der Vibrationsbelastung bei Verwendung des Werkzeugs für die angegebenen Anwendungszwecke.

- Bei Verwendung des Werkzeugs für andere Anwendungen oder mit anderem oder unzureichend gewartetem Zubehör kann sich die Vibrationsbelastung erheblich erhöhen.
- Wenn das Werkzeug ausgeschaltet ist, oder wenn es eingeschaltet ist, jedoch nicht genutzt wird, kann sich die Vibrationsbelastung erheblich verringern.

Schützen Sie sich vor den Auswirkungen der Vibration durch Wartung des Werkzeugs und des Zubehörs, halten Sie Ihre Hände warm, und organisieren Sie Ihren Arbeitsablauf.

BESCHREIBUNG

Die Buchstaben und Ziffern im folgenden Text verweisen auf die Abbildungen auf Seite 2-3.

1. EIN/AUS-Schalter
2. Sperrschalter
3. Anschlagschrauben
4. Hintere Walze
5. Kohlebürstenabdeckung
6. Trennscheibenschraube
7. Außenflansch
8. Diamantscheibe
9. Vordere Walze
10. Vordere Walze
11. Tiefeneinstellhebel
12. Anschluss für Staubabsaugvorrichtung
13. Tiefeneinstellskala
14. Staubsaugerschlauch

3. MONTAGE



Schalten Sie das Gerät vor der Montage aus, und ziehen Sie den Netzstecker aus der Steckdose.

Montage und Austausch der Scheibe

Abb. A, C, D



Eine gebrochene oder beschädigte Scheibe muss sofort ersetzt werden.



Verwenden Sie nur Scheiben, deren zulässige Drehgeschwindigkeit höher oder gleich der maximalen Leerlaufdrehzahl der Maschine ist.

Der Mauernutfräser ist zum Arbeiten mit speziellen 3-in-1-Scheiben ausgelegt. Verwenden Sie nur vom Hersteller zugelassene Scheiben.

1. Halten Sie den äußeren Flansch (7) mit dem mitgelieferten großen Schraubenschlüssel fest.
 2. Entfernen Sie die Schraube (6) mit dem mitgelieferten kleinen Schraubenschlüssel.
- Hinweis:** Die Schraube hat ein Linksgewinde.

3. Entfernen Sie den äußeren Flansch (7).
4. Bringen Sie die Scheibe (8) an der Spindel an. Stellen Sie sicher, dass der Pfeil auf dem Gehäuse mit dem Pfeil auf der Scheibe (8) übereinstimmt.

Hinweis: Die Spindel ragt nicht aus der Bohrung der Scheibe (8) heraus.

5. Stecken Sie den äußeren Flansch (7) in die Bohrung in der Scheibe. Drehen Sie den äußeren Flansch (7) unter Druck weiter, bis er vollständig angezogen ist.
6. Ziehen Sie die Schraube (6) fest.
7. Verwenden Sie den großen Schraubenschlüssel, um den äußeren Flansch (7) festzuhalten. Ziehen Sie nun die Schraube (6) mit dem kleinen Schraubenschlüssel fest.

Um die Scheibe zu entfernen, führen Sie das Installationsverfahren in umgekehrter Reihenfolge durch.

Staubabsaugung,

Abb. A, F



Für eine gute Belüftung des Arbeitsplatzes sorgen.



Staubschutzmaske tragen.

Der Staub von bestimmten Materialien, z.B. Feinstaub, kann gesundheitsschädlich sein. Das Einatmen dieses Staubes kann allergische Reaktionen hervorrufen und/oder beim Benutzer oder bei Umstehenden Atemwegserkrankungen verursachen. Daher muss ein für das Material geeignetes Staubabsaugsystem verwendet werden. Gehen Sie dazu wie folgt vor:



Der Staubsauger muss für das zu bearbeitende Material geeignet sein.



Verwenden Sie beim Staubsaugen von besonders gesundheits- oder krebserregendem trockenem Staub einen speziellen Staubabscheider.

Ein Staubsaugerschlauch (14) kann an den Staubabsauganschluss (12) angeschlossen werden. Bei Arbeitsbeginn zuerst die Staubabsaugung, z.B. einen Industriestaubsauger, einschalten, dann den

Mauernutfräser einschalten. Nach Beendigung der Arbeit gehen Sie umgekehrt vor: zuerst den Mauernutfräser ausschalten, dann den Staubsauger.



Staubansammlung am Arbeitsplatz vermeiden. Staub kann sich leicht entzünden.

Die Staubabsaugvorrichtung kann durch Staub, Späne oder Bruchstücke des Werkstücks blockiert werden. Daher muss sie regelmäßig gereinigt werden. Gehen Sie dazu wie folgt vor:

1. Trennen Sie den Netzstecker des Geräts von der Stromversorgung.
2. Warten Sie, bis die Scheibe (8) vollständig zum Stillstand gekommen ist.
3. Beseitigen Sie eventuell vorhandene Blockierungen.

4. BEDIENUNG

Einstellung der Schnitttiefe

Abb. B, E



Stellen Sie die Frästiefe vor Beginn der Arbeit und bei ausgeschaltetem Gerät ein.

1. Lösen Sie den Hebel (11), indem Sie ihn nach hinten bewegen.
2. Stellen Sie die gewünschte Schnitttiefe ein, siehe Abbildung E. Die Tiefe kann auf der Skala (13) abgelesen werden.
3. Stellen Sie den Hebel (11) durch Bewegen nach vorne fest.

Ein- und Ausschalten

Abb. A

- Um die Maschine einzuschalten, halten Sie die Einschaltsperr (2) gedrückt und drücken Sie gleichzeitig auf den Ein-/Aus-Schalter (1).
- Um die Maschine auszuschalten, lassen Sie den Ein-/Aus-Schalter (1) los.

Durchführen von Schnitten

Abb. A, G



Der Mauernutfräser ist nur für gerade Schnitte vorgesehen. Gebogene oder runde Schnitte sind nicht erlaubt.



Das Werkzeug ist nur zum Trockenschneiden vorgesehen.



Halten Sie das Werkzeug immer mit zwei Händen an den isolierten Griffen fest.

1. Zeichnen Sie Linien, um die Richtung anzugeben, in die die Scheiben geführt werden sollen.
2. Montieren Sie einen Staubsauger an den Staubauslass.
3. Stellen Sie die Frästiefe ein.
4. Positionieren Sie die hintere Walze (4) auf der Mauer Oberfläche. Beachten Sie, dass die Scheibe die Mauer Oberfläche noch nicht berühren sollte.
5. Schalten Sie den Mauernutfräser ein und warten Sie, bis die Scheibe die volle Drehzahl erreicht.
6. Senken Sie die Mauernutfräser allmählich ab und tauchen Sie die Scheibe in die Mauer Oberfläche ein.
7. Sobald die vordere Walze (9) auf der Mauer Oberfläche aufliegt, setzen Sie den Schnitt fort und bewegen den Mauernutfräser vorwärts und von Ihnen weg (in entgegengesetzter Richtung zur Drehung der Trennscheibe).
8. Bewegen Sie die Maschine langsam entlang der vorgezeichneten Linien und drücken Sie die Räder fest gegen die Wand.
Hinweis: Üben Sie jedoch keinen übermäßigen Druck auf die Maschine aus. Lassen Sie die Maschine die Arbeit machen. Die Anwendung von übermäßigem Druck kann zur Überhitzung des Motors und zur Beschädigung der Trennscheibe führen.
9. Zum Beenden eines Schnitts schalten Sie die Maschine aus und warten Sie, bis die Scheiben vollständig zum Stillstand gekommen sind. Danach nehmen Sie die Scheiben aus dem Werkzeug und legen die Maschine beiseite.



Nach dem Ausschalten des Mauernutfräasers darf die rotierende Scheibe nicht gewaltsam gebremst werden, indem sie gegen das bearbeitete Material gedrückt wird.



Trennscheiben erwärmen sich während des Betriebs auf hohe Temperaturen – berühren Sie sie daher nicht mit ungeschützten Teilen Ihres Körpers, bevor sie abgekühlt sind.

Hinweis: Beim Schneiden sehr harter Materialien kann die Trennscheibe überhitzen und dadurch beschädigt werden. Übermäßige Funken um die Trennscheibe herum weisen auf eine Überhitzung hin. Wenn dies auftritt, beenden Sie den Schneidvorgang und lassen Sie die Scheibe abkühlen, indem Sie sie 3-5 Minuten lang bei voller Drehzahl und ohne Last laufen lassen. Eine Abnahme der Schneidleistung und ständige übermäßige Funkenbildung um die Trennscheibe herum können auf eine stumpfe Trennscheibe hinweisen.

5. WARTUNG



Schalten Sie das Gerät vor der Reinigung und Wartung immer aus, und ziehen Sie den Netzstecker aus der Steckdose.

Reinigen Sie das Werkzeuggehäuse regelmäßig mit einem weichen Lappen, vorzugsweise nach jeder Verwendung. Stellen Sie sicher, dass die Lüftungsöffnungen frei von Staub und Schmutz sind. Entfernen Sie anhaftenden Schmutz mit einem weichen Lappen, der leicht mit Seifenwasser befeuchtet wurde. Verwenden Sie keine Lösungsmittel wie Benzin, Alkohol, Ammoniak usw., da Chemikalien dieser Art die Kunststoffteile beschädigen.

UMWELTSCHUTZ



Schadhafte und/oder zu entsorgende elektrische oder elektronische Werkzeuge und Geräte müssen an den dafür vorgesehenen Recycling-Stellen abgegeben werden.

Nur für EG-Länder

Entsorgen Sie Elektrowerkzeuge nicht über den Hausmüll. Entsprechend der EU-Richtlinie 2012/19/EG über Elektro- und Elektronik-Altgeräte sowie der Umsetzung in nationales Recht müssen Elektrowerkzeuge, die nicht mehr im Gebrauch sind, getrennt gesammelt und umweltschonend entsorgt werden.

GARANTIE

FERM-Produkte werden nach den höchsten Qualitätsstandards entwickelt und sind für den gesetzlich festgelegten Zeitraum, ausgehend von dem ursprünglichen Kaufdatum, garantiert frei von Fehlern in Material und Ausführung. Sollte das Produkt in diesem Zeitraum aufgrund von Material- und/oder Verarbeitungsmängeln Fehler aufweisen, wenden Sie sich bitte direkt an FERM Kundendienst.

Folgende Umstände sind von der Garantie ausgeschlossen:

- Reparaturen und oder Änderungen an der Maschine, die durch nicht-autorisierte Servicestellen vorgenommen oder versucht wurden.
- Normale Abnutzung und Verschleiß.
- Das Werkzeug wurde übermäßig beansprucht, missbräuchlich verwendet oder falsch gewartet.
- Es wurden keine Original-Ersatzteile verwendet.

Dies stellt die einzige Gewährleistung des Unternehmens dar, sowohl ausdrücklich als auch implizit. Es gibt keine anderen ausdrücklichen oder stillschweigenden Garantien, die über das hier Genannte hinausgehen, einschließlich der stillschweigenden Garantien der Marktgängigkeit oder Eignung für einen bestimmten Zweck. In keinem Fall ist FERM haftbar für Neben- oder Folgeschäden. Die Rechtsmittel des Händlers beschränken sich auf Reparatur oder Ersatz fehlerhafter Einheiten oder Teile.

Am Produkt und am Benutzerhandbuch können Änderungen vorgenommen werden. Die technischen Daten können sich ohne Vorankündigung ändern.

Muurfrees 2400W WCM1001P

Hartelijk dank voor de aanschaf van dit Ferm product. Hiermee heeft u een uitstekend product aangeschaft van één van de toonaangevende Europese distributeurs. Alle Ferm producten worden gefabriceerd volgens de hoogste prestatie- en veiligheidsnormen. Deel van onze filosofie is de uitstekende klantenservice die wordt ondersteund door onze uitgebreide garantie. Wij hopen dat u vele jaren naar tevredenheid gebruik zult maken van dit product.

1. VEILIGHEIDSVOORSCHRIFTEN



**Lees de bijgesloten veiligheids-
waarschuwingen, de aanvullende
veiligheidswaarschuwingen en de
instructies.** Het niet opvolgen van de
veiligheidswaarschuwingen kan elektrische
schokken, brand en/of ernstig letsel tot gevolg
hebben. **Bewaar de veiligheidswaarschuwingen
en instructies als naslagwerk voor later.**

De volgende symbolen worden gebruikt in de
gebruikershandleiding of op het product:



Lees de gebruikershandleiding.



Gevaar voor lichamelijk letsel, overlijden
of schade aan de machine wanneer de
instructies in deze handleiding niet
worden opgevolgd.



Gevaar voor elektrische schokken.



Verwijder onmiddellijk de netstekker uit
het stopcontact indien het netsnoer
beschadigd raakt en tijdens reiniging en
onderhoud.



Gevaar voor rondvliegende voorwerpen.
Houd omstanders uit de buurt van het
werkgebied.



Draag altijd een veiligheidsbril!



Draag gehoorbescherming.



Draag een stofmasker.



Draag veiligheidshandschoenen.



Niet gebruiken in regen.



Klasse II apparaat - Dubbel geïsoleerd -
Een gearde stekker is niet noodzakelijk.



Werp het product niet weg in
ongeschikte containers.



Het product is in overeenstemming met
de van toepassing zijnde
veiligheidsnormen in de Europese
richtlijnen.

Veiligheidswaarschuwingen die gelden voor zowel slijpwerkzaam- heden als doorslijpwerkzaamheden:

- Deze powertool is bedoeld als een
slijpmachine. Raadpleeg alle bijgeleverde
veiligheidswaarschuwingen, instructies,
illustraties en specificaties.** Als niet alle
instructies hieronder worden nageleefd, kan dat
een elektrische schok, brand en/of ernstig letsel
tot gevolg hebben.
- Deze powertool is niet geschikt voor
werkzaamheden als schuren, staalborstelen
en polijsten.** Als met deze powertool
werkzaamheden worden uitgevoerd waarvoor
de machine niet bedoeld is, kan dat leiden tot
gevaren en lichamelijk letsel.
- Gebruik geen accessoires die niet specifiek
zijn ontworpen en aanbevolen door de
fabrikant.** Het feit dat dergelijke accessoires op
de powertool passen, wil niet zeggen dat een
veilige werking dan gegarandeerd is.
- Het nominale toerental van het accessoire
moet ten minste gelijk zijn aan het maximale
toerental dat op de powertool staat vermeld.**
Accessoires die sneller worden aangedreven
dan hun nominale toerental toestaat, kunnen
breken en in het rond vliegen.
- De buitendiameter en dikte van uw
accessoire moeten binnen de nominale**

capaciteit van uw powertool vallen.

Accessoires van een onjuiste grootte kunnen niet voldoende worden beschermd of geregeld.

- f) **Inzetgereedschappen met schroefdraadinzetstuk moeten nauwkeurig op de schroefdraad van de uitgaande as passen. De gatdiameter van met een flens gemonteerde inzetgereedschappen moet passen bij de opnamediameter van de flens.** Inzetgereedschappen die niet nauwkeurig op het elektrische gereedschap bevestigd worden, draaien ongelijkmatig, trillen sterk en kunnen tot verlies van de controle leiden.
- g) **Gebruik geen beschadigde accessoires. Controleer vóór elk gebruik accessoires zoals slijpschijven op afbrokkelingen en scheuren, steunschijven op scheuren, inkepingen en overmatige slijtage, staalborstels op losse of gescheurde draden. Als de powertool of het accessoire valt, inspecteer deze dan op schade of monteer een onbeschadigd accessoire. Nadat u het accessoire hebt geïnspecteerd en gemonteerd, moet u uzelf en omstanders uit de lijn van het roterende accessoire plaatsen en de powertool gedurende één minuut onbelast met een maximaal toerental laten draaien. Beschadigde accessoires zullen normaliter breken tijdens deze testduur.**
- h) **Draag persoonlijke beschermingsmiddelen. Gebruik, afhankelijk van de toepassing, een gelaatscherm of veiligheidsbril. Draag al naargelang de omstandigheden een stofmasker, gehoorbescherming, handschoenen en een werkplaatsschort dat alle kleine slijp- en werkstukfragmenten kan tegenhouden. De oogbescherming moet bescherming kunnen bieden tegen rondvliegende rommel die door diverse werkzaamheden ontstaat. Het stofmasker of ademtoestel moet in staat om deeltjes te filtreren die ontstaan door uw werkzaamheden. Langdurige blootstelling aan hard geluid kan uw gehoor beschadigen.**
- i) **Houd omstanders op veilige afstand van het werkgebied. Iedereen die het werkgebied betreedt, moet persoonlijke beschermingsmiddelen dragen. Fragmenten van een werkstuk of een gebroken accessoire kunnen uit het werkgebied wegvliegen en letsel veroorzaken.**
- j) **Houd de powertool alleen vast aan de geïsoleerde handgrepen, omdat het snijhulpstuk in contact kan komen met niet zichtbare bedrading of met het netsnoer van de machine.**
Wanneer het snijhulpstuk een onder spanning staande kabel raakt, kunnen de metalen delen van de machine onder spanning komen te staan, waardoor de gebruiker een elektrische schok kan krijgen.
- k) **Houd het netsnoer uit de buurt van het draaiende accessoire. Als u de controle verliest, wordt het snoer mogelijk doorgesneden of scheurt het, of raakt het verstrikt en kan uw hand of arm in het draaiende accessoire worden getrokken.**
- l) **Leg de powertool nooit neer voordat het accessoire volledig tot stilstand is gekomen. Als u dit nalaat, kan het draaiende accessoire het oppervlak aangrijpen waardoor u de controle verliest over de powertool.**
- m) **Laat de powertool niet ingeschakeld terwijl u deze aan uw zijde draagt. Als u per ongeluk contact maakt met het draaiende accessoire, kan het verstrikt raken in uw kleding, waardoor het accessoire in uw lichaam wordt getrokken.**
- n) **Reinig de luchtgaten van de powertool regelmatig. De ventilator van de motor trekt de stof tot in de behuizing en bovenmatige opeenhoping van metaalpoeder kan elektrische gevaren veroorzaken.**
- o) **Gebruik de powertool niet in de buurt van ontvlambare materialen. Vonken kunnen deze materialen doen ontbranden.**
- p) **Gebruik geen accessoires die koelvloeistoffen vereisen. Gebruik van water of andere koelvloeistoffen kan leiden tot elektrocutie of schokken.**

Terugslag en hieraan gerelateerde waarschuwingen

Terugslag is een plotselinge reactie op een vastgelopen of vastgeklemd draaiende schijf, steunschijf, borstel of ander accessoire. Als het accessoire vastloopt of vastgeklemd raakt, komt het accessoire plots tot stilstand, wat op zijn beurt tot gevolg heeft dat de powertool in de richting wordt geforceerd die tegengesteld is aan de rotatie van het accessoire op het contactpunt. Als een slijpschijf bijvoorbeeld in het werkstuk vastloopt of vastgeklemd raakt, kan de rand

van de schijf die in het knelpunt vastraakt, zich ingraven in het oppervlak van het materiaal waardoor de schijf naar buiten klimt of springt. De schijf kan dan in de richting van de gebruiker of weg van de gebruiker springen, afhankelijk van de richting van de schijfbeweging op het knelpunt. Slijpschijven kunnen onder deze omstandigheden ook afbreken. Terugslag ontstaat door onjuist gebruik van de powertool en/of onjuiste gebruiksprocedures/ -omstandigheden en kan worden vermeden door de voorzorgsmaatregelen hieronder te nemen.

- a) **Houd de machine stevig vast en plaats uw lichaam zodanig dat u de krachten die ontstaan bij terugslag kunt weerstaan. Gebruik altijd de hulpgreep, indien aanwezig, om maximale controle te houden over terugslag of koppelreactie bij opstarten.** *De gebruiker kan koppelreacties of terugslagkrachten onder controle houden met de juiste voorzorgsmaatregelen.*
- b) **Plaats uw hand nooit in de buurt van het draaiende accessoire.** *Het accessoire kan terugslaan over uw hand.*
- c) **Plaats uw lichaam niet in het gebied waarin de powertool zal bewegen als er terugslag optreedt.** *Bij terugslag zal de tool draaiend terugspringen in de richting die tegengesteld is aan de beweging van de schijf op het knelpunt.*
- d) **Wees uiterst voorzichtig bij het gebruik van de machine bij hoeken, scherpe randen, etc.** *Voorkom dat de machine stuitert of vastgeklemd raakt. Hoeken, scherpe randen of een terugspringende machine kunnen tot gevolg hebben dat het draaiende accessoire vastloopt waardoor u de controle verliest of er terugslag optreedt.*
- e) **Bevestig geen houtbewerkingsbladen voor zaagkettingen of getande zaagbladen.** *Dergelijke bladen veroorzaken vaak terugslag en verlies van controle over de machine.*

Speciale veiligheidsvoorschriften

- Mensen jonger dan 16 mogen de machine niet gebruiken.
- Degene die de machine gebruikt of bedient, moet de inhoud van deze instructiehandleiding kennen.
- Vraag, voordat u sleuven freest in dragende muren, advies aan de verantwoordelijke

bouwkundige, architect of toezichthouder op de locatie.

- **Gebruik het elektrisch gereedschap uitsluitend met de bijgeleverde beschermkap geïnstalleerd. De beschermkap moet stevig op het elektrisch gereedschap worden gemonteerd en worden afgesteld, zodat een optimale veiligheid is gegarandeerd, wat betekent dat het gedeelte van de schijf dat naar de gebruiker is gekeerd zoveel mogelijk moet zijn afgeschermd.** *De beschermkap moet de gebruiker beschermen tegen splinters en contact met de zaagschijf.*
- **Gebruik uitsluitend diamant-zaagschijven.** *De mogelijkheid apparatuur in het elektrisch gereedschap te installeren garandeert op zich geen veilig gebruik.*
- **Gebruik diamant-zaagschijven uitsluitend voor de taken waarvoor ze zijn ontworpen. Bijvoorbeeld, voer nooit slijpwerkzaamheden uit met het zijoppervlak van een zaagschijf. Zaagschijven zijn ontworpen om materiaal te verwijderen met de rand van de schijf.** *Door toepassing van zijdelingse kracht kan een schijf van dit type breken.*
- **Gebruik altijd onbeschadigde bevestigingsflenzen van een formaat dat past bij de zaagschijf.** *De juisteflenzen ondersteunen de zaag heeft en verminderen het risico van breuk.*
- **Zet de werkplek stevig vast, ook achter openingen en uitgezaagde delen.** *Werkplekken die niet goed zijn vastgezet, kunnen gevaarlijk zijn voor u en andere mensen.*
- **Let goed op voor onbedekte en verborgen elektriciteitskabels, en ook op water- en gasleidingen. Zoek met geschikte detectors water-, gas-en elektriciteitsleidingen en/of -kabels, of vraag advies aan het lokale utiliteitsbedrijf. Contact met elektriciteitskabels kan brand en een elektrische schok tot gevolg hebben. Beschadiging van een gasleiding kan tot ontploffing leiden.** *Het beschadigen van een waterleiding kan materiële schade tot gevolg hebben of een elektrische schok veroorzaken.*
- **Houd het elektrisch gereedschap, wanneer het in aanraking kan komen met elektrische draden of het eigen**

netsnoer, altijd uitsluitend vast aan de geïsoleerde handgreep. Wanneer het elektrisch gereedschap in aanraking komt met draden die onder spanning staan, komen alle metalen delen van het gereedschap ook onder spanning te staan en dat kan de gebruiker een elektrische schok geven.

- **Zorg ervoor dat er geen situaties kunnen ontstaan waarin mensen kunnen struikelen of vallen.** Een val over kabels kan ernstige verwondingen tot gevolg hebben.
- **Zet het werkstuk vast.** Een werkstuk dat stevig vast is gezet in klemmen of een bankschroef, is veiliger dan een werkstuk dat u met de hand vasthoudt.
- **Zorg ervoor dat er zich geen stof op de werkplek kan verzamelen.** Stofdeeltjes kunnen gemakkelijk tot ontbranding komen.
- **Zorg in afgesloten ruimten voor voldoende ventilatie. Risico als gevolg van stof en beperkt zicht.**
- **Stof van materialen zoals coatings die lood bevatten, tal van houtsoorten, mineralen en metalen kan schadelijk zijn voor de gezondheid en allergische reacties, aandoeningen van de luchtwegen en/of kanker veroorzaken.** Materiaal dat asbest bevat, mag alleen door specialisten worden verwerkt.
 - Gebruik, wanneer dat mogelijk is, een industriële stofzuiger die geschikt is voor het materiaal dat u bewerkt.
 - Zorg ervoor dat de werkplek goed is geventileerd.
 - Neem de relevante voorschriften in uw land in acht voor de materialen die moeten worden bewerkt.
- **Houd het netsnoer weg van roterend gereedschap.** Verlies van controle over het elektrisch gereedschap kan leiden tot het doorsnijden of vastgrijpen van het netsnoer, ook een hand of een hele arm kan in het roterende gereedschap bekneld raken.
- **Draag het elektrisch gereedschap niet wanneer het ronddraait.** Wanneer roterend gereedschap in aanraking komt met kleding kan dat leiden tot het vastgrijpen van kleding of het werkende gereedschap kan in het lichaam van de gebruiker binnendringen.
- **Begin pas met werken wanneer het elektrisch gereedschap op volledige**

snelheid ronddraait.

- **Stel diamant-zaagschijven voor droog zagen niet bloot aan zijwaartse druk.**
- **Gebruik diamant-zaagschijven voor droog zagen niet voor ruw slijpwerk.**

Elektrische veiligheid

Neem bij het gebruik van elektrische machines altijd de plaatselijk geldende veiligheidsvoorschriften in acht in verband met brandgevaar, gevaar voor elektrische schokken en lichamelijk letsel. Lees behalve onderstaande instructies ook de veiligheidsvoorschriften in het apart bijgevoegde veiligheidskatern door.



Controleer altijd of de spanning van de voedingstoevoer overeenkomt met de spanning op het typeplaatje.



Klasse II apparaat - Dubbel geïsoleerd - Een gearde stekker is niet noodzakelijk.

Gebruik een aardlekbeveiliging (RCD) als niet te voorkomen is dat een powertool moet worden gebruikt in een vochtige omgeving. Gebruik van een aardlekbeveiliging (RCD) verkleint het risico op elektrische schokken.

2. TECHNISCHE INFORMATIE

Bedoeld gebruik

Dit elektrisch gereedschap is ontworpen voor het droog zagen in metselwerk (baksteen, kalkzandblokken, natuursteen) en beton. Het mag niet gebruikt worden voor nat zagen of voor het slagen in metaal, glas, hout, enz.

Technische specificaties

Modelnr. machine	WCM1001P
Modelnr. doorslijpschijf	WCA1001
Netspanning	230 V~
Netfrequentie	50 Hz
Opgenomen vermogen	2400W
Onbelast toerental	8000 /min
Schijfdiameter	150mm
Schijfboring	22,2mm
Max.zaagdiepte	43mm
Snijbreedte	30mm
Gewicht	6,2 kg
Geluidsdrukniveau LPA	97 + 3 dB(A)
Geluidsvermogensniveau LWA	108 + 3 dB(A)
Trillingen ah	10,94 + 1,5 m/s ²

Trillingsniveau

Het trillingsemissieniveau, dat in deze gebruiksaanwijzing wordt vermeld, is gemeten in overeenstemming met een gestandaardiseerde test volgens EN 60745; deze mag worden gebruikt om twee machines met elkaar te vergelijken en als voorlopige beoordeling van de blootstelling aan trilling bij gebruik van de machine voor de vermelde toepassingen

- gebruik van de machine voor andere toepassingen, of met andere of slecht onderhouden accessoires, kan het blootstellingsniveau aanzienlijk verhogen
- wanneer de machine is uitgeschakeld of wanneer deze loopt maar geen werk verricht, kan dit het blootstellingsniveau aanzienlijk reduceren

Bescherm uzelf tegen de gevolgen van trilling door de machine en de accessoires te onderhouden, uw handen warm te houden en uw werkwijze te organiseren.

Beschrijving

De nummers in de tekst verwijzen naar de diagram men op pagina 2-3.

1. Schakelaar Aan / Uit
2. Schakelaar voor vergrendeling in de uit-stand
3. Handvat achter
4. Achterste roller
5. Kap koolstofborstel
6. Zaagbladbout
7. Buitenste flens
8. Diamantschijf
9. Voorste roller
10. Voorste roller
11. Hendel voor diepteafstelling
12. Stofafzuigpoort
13. Schaalverdeling voor diepteafstelling
14. Vacuümslang

3. ASSEMBLAGE



Schakel vóór montage altijd de machine uit en verwijder de netstekker uit het stopcontact.

De schijf monteren en vervangen

Afb. A, C, D



Een gebroken of beschadigde schijf moet onmiddellijk worden vervangen.



Gebruik uitsluitend schijven waarvan de toegestane rotatiesnelheid hoger of gelijk is aan de maximale onbelaste snelheid van de machine.

De sleuvenfreesmachine is ontworpen voor speciale 3-in-1-schijven. Gebruik alleen schijven die zijn goedgekeurd door de fabrikant.

1. Houd de buitenste flens (7) vast met de meegeleverde grote steeksleutel.
2. Verwijder de bout (6) met de meegeleverde kleine steeksleutel.
NB: de bout is voorzien van linkse schroefdraad.
3. Verwijder de buitenste flens (7).
4. Monteer de schijf (8) op de as. Let erop dat de pijl op de behuizing in dezelfde richting wijst als de pijl op de schijf (8).
NB: de as steekt niet uit het gat van de schijf (8).
5. Zet de buitenste flens (7) in het gat van de schijf. Draai de buitenste flens (7) terwijl u deze indrukt, tot de flens geheel vastzit.
6. Zet de bout (6) vast.
7. Houd met de grote steeksleutel de buitenste flens (7) vast. Zet nu de bout (6) met de kleine steeksleutel vast.

Voer voor het verwijderen van de schijf de installatieprocedure in omgekeerde volgorde uit.

Stofafzuiging

Afb. A, F



Zorg voor een goede ventilatie op de werkplek.



Draag een stofmasker.

Het stof van bepaalde materialen kan schadelijk voor uw gezondheid zijn. Het inademen van dit stof kan allergische reacties en/of aandoeningen van de luchtwegen veroorzaken bij de gebruiker of bij mensen in de nabijheid. Daarom moet een stofafzuigstelsel dat geschikt is voor het materiaal worden gebruikt. Dat doet u als volgt:



De stofzuiger moet geschikt zijn voor het materiaal waarmee u werkt.



Wanneer u droog stof opzuigt dat zeer schadelijk is voor de gezondheid of stof dat kankerverwekkend is, gebruik dan een speciaal systeem voor stofafzuiging.

U kunt de slang (14) van een stofzuiger aansluiten op de stofafzuigpoort (12). Wanneer u met uw werkzaamheden begint, moet u eerst het stofafzuigstelsel, bijv. een industriële stofzuiger, inschakelen en daarna de sleuvenfreesmachine. Wanneer de werkzaamheden zijn voltooid, moet u in omgekeerde volgorde te werk gaan - de sleuvenfreesmachine uitschakelen en daarna de stofzuiger.



Zorg ervoor dat er zich geen stof verzamelt op de werkplek. Stof kan gemakkelijk tot ontbranding komen.

Het systeem voor stofafzuiging kan verstopt raken door stof, spaanders of snippers van het werkstuk. Daarom moet het systeem regelmatig worden schoongemaakt. Dat doet u als volgt:

1. Trek de stekker uit het stopcontact.
2. Wacht tot de schijf (8) geheel tot stilstand is gekomen.
3. Verwijder eventuele blokkades.

4. BEDIENING

De zaagdiepte aanpassen

Afb. B, E



Stel de diepte van de sleuf in voor u met de werkzaamheden begint en met de machine uitgeschakeld.

1. Maak de hendel (11) los door deze naar achteren te verplaatsen.
2. Voer de aanpassing uit tot de gewenste zaagdiepte, zoals in afbeelding E. U kunt de diepte aflezen op de schaalverdeling (13).
3. Zet de hendel (11) vast door deze naar voren te verplaatsen.

In- en uitschakelen

Fig. A

- Om de machine in te schakelen, houdt u de ontgrendelingsknop (2) ingedrukt en drukt gelijktijdig de aan/uit-schakelaar (1) in.
- Om de machine uit te schakelen, laat u de aan/uit-schakelaar (1) los.

Een zaagsnede maken

Afb. A, G



De sleuvenfreesmachine is ontworpen voor alleen rechte zaagsneden. Gebogen of ronde zaagsneden maken is niet toegestaan.



Het gereedschap is ontworpen voor alleen droog zagen.



Houd het gereedschap altijd met beide handen vast aan de geïsoleerde handgrepen.

1. Teken lijnen die de richting aangeven waarin u de schijven stuurt.
2. Monteer een stofzuiger op de stofafzuigpoort.
3. Stel de zaagdiepte in.
4. Plaats de achterste roller (4) op het oppervlak van de wand. NB. de schijf mag het oppervlak van de wand nog niet raken.
5. Schakel de sleuvenfreesmachine in en wacht tot de schijven geheel op snelheid zijn.
6. Laat de sleuvenfreesmachine geleidelijk zakken en laat de schijven in het oppervlak van de wand zakken.
7. Ga, zodra de voorste roller (9) op het oppervlak van de wand rust, door met de zaagsnede en verplaats de sleuvenfreesmachine naar voren en van u af (in de richting die tegengesteld is aan de rotatie van de zaagschijf).
8. Verplaats de machine langzaam langs de lijnen die u hebt getekend, druk de wielen stevig tegen de wand.
NB: Oefen niet te veel druk uit op de machine. Laat de machine het werk doen. Oefent u te veel druk uit, dan kan de motor oververhit raken en kan de zaagschijf beschadigd raken.
9. Beëindig de zaagsnede door de machine uit te schakelen en wacht tot de schijven tot stilstand zijn gekomen. Haal daarna de schijven uit de sleuf en zet de machine neer.



Nadat u de machine hebt uitgeschakeld, mag u niet de roterende schijf afremmen door deze tegen verwerkt materiaal te drukken.



Zaagschijven bereiken zeer hoge temperaturen tijdens de werkzaamheden - raak ze pas aan wanneer ze zijn afgekoeld.

NB: Wanneer u zeer harde materialen zaagt, kan de zaagschijf te heet worden en als gevolg daarvan kapot gaan. Heel veel vonken rond de zaagschijf wijzen op oververhitting. Wanneer dat het geval is, stop dan met zagen en laat de schijven afkoelen door ze 3 - 5 minuten onbelast op volle rotatiesnelheid te laten draaien. Wanneer de zaagschijf minder goed gaat zagen en er constant heel veel vonken rond de zaagschijven te zien zijn, wijst dat erop dat de zaagschijf bot is.

5. ONDERHOUD



Schakel voor reiniging en onderhoud altijd de machine uit en verwijder de netstekker uit het stopcontact.

Reinig de machinebehuizing regelmatig met een zachte doek, bij voorkeur iedere keer na gebruik. Zorg dat de ventilatiesleuven vrij van stof en vuil zijn. Gebruik bij hardnekkig vuil een zachte doek bevochtigd met zeepwater. Gebruik geen oplosmiddelen als benzine, alcohol, ammonia, etc. Dergelijke stoffen beschadigen de kunststof onderdelen.

MILIEU



Defecte en/of afgedankte elektrische of elektronische gereedschappen dienen ter verwerking te worden aangeboden aan een daarvoor verantwoordelijke instantie.

Uitsluitend voor EG-landen

Werp elektrisch gereedschap niet weg bij het huisvuil. Conform de Europese Richtlijn 2012/19/EG voor Afgedankte Elektrische en Elektronische Apparatuur en de implementatie ervan in nationaal

recht moet niet langer te gebruiken elektrisch gereedschap gescheiden worden verzameld en op een milieuvriendelijke wijze worden verwerkt.

GARANTIE

FERM producten zijn ontworpen volgens de hoogste kwaliteitsstandaarden en gegarandeerd vrij van defecten, zowel materieel als fabrieksfouten, tijdens de wettelijk vastgestelde garantieperiode vanaf de eerste aankoopdatum. Mocht het product tijdens deze periode gebreken vertonen veroorzaakt door defecte materialen en/of fabrieksfouten, neem dan rechtstreeks contact op met FERM.

De volgende situaties vallen niet onder de garantie:

- Er zijn reparaties of aanpassingen aan de machine uitgevoerd, of er is een poging daartoe ondernomen, door een nietgeautoriseerd servicecentrum.
- Normale slijtage.
- De machine is misbruikt, verkeerd gebruikt of slecht onderhouden.
- Er zijn niet-originele reserveonderdelen gebruikt.

Dit vormt de enige garantie opgesteld door het bedrijf zowel expliciet als impliciet. Er bestaan geen andere garanties expliciet of impliciet welke verder gaan dan deze garantie, inclusief impliciete garanties van verkoopbaarheid en geschiktheid voor bepaalde doeleinden. In geen enkel geval kan FERM aansprakelijk worden gesteld voor incidentele schade of gevolgschade. Reparaties van dealers zijn gelimiteerd tot de reparatie of vervanging van defecte producten of onderdelen.

Het product en de gebruikershandleiding zijn onderhevig aan wijzigingen. Specificaties kunnen zonder opgaaf van redenen worden gewijzigd.

Fraiseuse murale 2400W WCM1001P

Merci pour votre achat de ce produit Ferm. Vous disposez maintenant d'un excellent produit, proposé par l'un des principaux fabricants européens. Tous les produits que vous fournissez Ferm sont fabriqués selon les normes les plus exigeantes en matière de performances et de sécurité. Complété par notre garantie très complète, l'excellence de notre service clientèle forme également partie intégrante de notre philosophie. Nous espérons que vous profiterez longtemps de ce produit.

1. CONSIGNES DE SÉCURITÉ



En plus des avertissements de sécurité suivants, veuillez également lire les avertissements de sécurité additionnels ainsi que les instructions. Le non-respect des avertissements de sécurité et des instructions peut entraîner une décharge électrique, un incendie et/ou des blessures graves. **Veuillez conserver les avertissements de sécurité et les instructions pour consultation ultérieure.**

Les symboles suivants sont utilisés dans le manuel d'utilisation ou apposés sur le produit:



Lisez le manuel d'utilisation.



Signale un risque de blessures, un danger mortel ou un risque d'endommagement de l'outil en cas de non-respect des instructions de ce manuel.



Risque de décharge électrique



En cas d'endommagement du câble secteur et durant le nettoyage et l'entretien, débranchez immédiatement la fiche de la prise secteur.



Risque de projection d'objets. Maintenez les spectateurs à l'écart de la zone de travail.



Portez toujours des lunettes de protection!



Portez des protections auditives



Portez un masque anti-poussière.



Portez des gants de sécurité.



Ne pas utiliser sous la pluie.



Machine de classe II - Double isolation - Vous n'avez pas besoin de prise avec mise à la terre.



Ne jetez pas le produit dans des conteneurs qui ne sont pas prévus à cet effet.



Le produit est conforme aux normes de sécurité en vigueur spécifiées dans les directives européennes.

Avertissements de sécurité communs aux opérations de meulage et de découpage à l'abrasif:

- Cet outil électrique est destiné aux applications de meulage. Lisez tous les avertissements de sécurité, les instructions, les illustrations et les spécifications fournis avec cet outil électrique.** Le non-respect des instructions suivantes peut entraîner une décharge électrique, un incendie et/ou des blessures graves.
- Il n'est pas recommandé d'utiliser cet outil électrique pour des opérations telles que le ponçage, le brossage à la brosse métallique et le polissage.** L'utilisation de cet outil pour des opérations pour lesquelles il n'a pas été conçu peut créer un danger et entraîner des blessures.
- Utilisez uniquement les accessoires spécifiquement conçus et recommandés par le fabricant de l'outil.** Le simple fait qu'un accessoire puisse être branché sur votre outil électrique ne garantit pas un fonctionnement sans risque.
- La vitesse nominale de l'accessoire doit être au moins égale à la vitesse maximale**

- indiquée sur l'outil électrique.** Les accessoires dont la vitesse de rotation est supérieure à leur vitesse nominale peuvent se casser et être projetés.
- e) **Le diamètre extérieur et l'épaisseur de l'accessoire doivent correspondre à la capacité nominale de l'outil électrique.** Un accessoire mal dimensionné ne peut pas être maintenu et contrôlé de manière adéquate.
- f) **Le montage fileté d'accessoires doit être adapté au filet de l'arbre de la meuleuse.** Pour les accessoires montés avec des flasques, l'alésage central de l'accessoire doit s'adapter correctement au diamètre du flasque. Les accessoires qui ne correspondent pas aux éléments de montage de l'outil électrique seront en déséquilibre, vibreront de manière excessive et pourront provoquer une perte de contrôle.
- g) **N'utilisez jamais un accessoire endommagé.** Avant chaque utilisation, inspectez les accessoires tels que les roues abrasives à la recherche de copeaux et de fissures, les plateaux porte-disque pour vérifier l'absence de fissures, de déchirures ou usure excessive, les brosses métalliques pour détecter des fils desserrés ou fissurés. En cas de chute de l'outil ou de l'accessoire, vérifiez l'absence de dommage ou installez un accessoire en bon état. Après l'inspection et l'installation d'un accessoire, placez-vous, ainsi que les spectateurs, à distance du plan de l'accessoire en rotation, et faites fonctionner l'outil à pleine puissance à vide pendant une minute. Normalement, les accessoires endommagés se brisent pendant ce test.
- h) **Portez un équipement de protection personnelle.** Selon l'application, utilisez un masque facial, des gants de protection ou des lunettes de sécurité. Le cas échéant, portez un masque anti-poussière, des protections auditives, des gants et un tablier d'atelier capable d'arrêter les particules abrasives et les fragments de pièce. La protection utilisée pour les yeux doit être capable d'arrêter les débris volants générés par diverses opérations. Le masque anti-poussière ou le respirateur doit être capable de filtrer les particules générées par votre opération. L'exposition prolongée à une intensité sonore élevée peut entraîner une perte auditive.
- i) **Tenez les spectateurs à une bonne distance de sécurité de la zone de travail.** Quiconque pénètre dans la zone de travail doit porter un équipement de protection personnelle. Les fragments de pièce ou d'un accessoire brisé peuvent voler et causer des dégâts au-delà de la zone immédiate de l'opération.
- j) **Tenez toujours l'outil électrique par les surfaces de préhension isolées lorsque vous effectuez une opération au cours de laquelle l'accessoire de coupe peut entrer en contact avec des câbles non apparents ou le cordon d'alimentation de l'outil.** Tout contact de l'accessoire de coupe avec un fil "sous tension" peut conduire l'électricité aux pièces métalliques exposées de l'outil et exposer l'utilisateur à une décharge électrique.
- k) **Placez le cordon loin de l'accessoire en rotation.** En cas de perte de contrôle, le cordon peut être coupé ou accroché et votre main ou votre bras risque d'être tiré(e) vers l'accessoire en rotation.
- l) **Ne posez jamais l'outil électrique tant que l'accessoire n'est pas complètement arrêté.** L'accessoire rotatif peut s'accrocher à la surface et provoquer une perte de contrôle de l'outil électrique.
- m) **Ne faites pas fonctionner l'outil électrique pendant que vous le transportez à côté de vous.** En cas de contact accidentel avec l'accessoire rotatif, ce dernier peut arracher vos vêtements et se planter dans votre corps.
- n) **Nettoyez régulièrement les ouvertures d'aération de l'outil électrique.** Le ventilateur du moteur attire la poussière à l'intérieur de l'outil et l'accumulation excessive de poudre de métal peut causer des dangers électriques.
- o) **Ne faites pas fonctionner l'outil électrique à proximité de matières inflammables.** Une étincelle pourrait enflammer ces matériaux.
- p) **N'utilisez aucun accessoire nécessitant un liquide de refroidissement.** L'utilisation d'eau ou d'autres liquides de refroidissement peut entraîner une électrocution ou une décharge électrique.
- Rebond et avertissements correspondants**
Le rebond est une réaction soudaine due au pincement ou à l'accrochage d'une meule, d'un plateau porte-disque, d'une brosse ou de tout

autre accessoire en rotation. Le pincement ou l'accrochage provoque un blocage rapide de l'accessoire en rotation, ce qui entraîne une perte de contrôle de l'outil qui revient dans la direction opposée à la rotation de l'accessoire au point de grippage. Par exemple, si une meule abrasive est accrochée ou pincée par la pièce à ouvrir, le bord de la meule qui pénètre dans le point de pincement peut creuser la surface du matériau causant la sortie ou l'éjection de la meule. La meule peut sauter en direction de l'opérateur, ou s'en éloigner, selon le sens de rotation de la meule au point de pincement. Les meules abrasives peuvent également se briser dans ces conditions. Le rebond résulte d'une utilisation inadéquate de l'outil et/ou de procédures ou de conditions de fonctionnement incorrectes. Il peut être évité en prenant les précautions suivantes:

- a) **Tenez fermement l'outil électrique et placez votre corps et votre bras de façon à résister aux forces de rebond. Utilisez toujours la poignée auxiliaire, si elle existe, pour un contrôle maximal du rebond ou de la réaction de couple pendant le démarrage.**
L'opérateur peut contrôler les réactions de couple ou les forces de rebond si les précautions qui s'imposent sont prises.
- b) **Ne placez jamais votre main à proximité de l'accessoire en rotation. L'accessoire peut rebondir sur votre main.**
- c) **Ne vous placez pas dans la zone où l'outil électrique risque de se déplacer en cas de rebond. Le rebond propulse l'outil dans le sens opposé au mouvement de la meule au point d'accrochage.**
- d) **Soyez particulièrement vigilant lorsque vous travaillez dans les coins, les arêtes vives, etc. Évitez les rebondissements et les accrochages de l'accessoire. Les coins, les arêtes vives ou les rebondissements ont tendance à accrocher l'accessoire en rotation et à entraîner une perte de contrôle ou un rebond.**
- e) **Ne montez pas de chaîne, de lame de sculpture sur bois ou de lame de scie crantée sur l'outil. Ces lames provoquent des rebonds fréquents et entraînent la perte de contrôle de l'outil.**

Prescriptions de sécurité spéciales

- **Les personnes de moins de 16 ans ne doivent pas utiliser la machine.**
- **L'utilisateur ou l'opérateur doit avoir connaissance du contenu de ce manuel d'utilisation.**
- **Avant de ciseler dans des murs porteurs, consultez l'ingénieur structurel responsable, l'architecte ou le superviseur du site.**
- **Utilisez l'outil électrique uniquement lorsque la protection fournie est installée. La protection doit être fermement posée sur l'outil électrique et réglée pour garantir le meilleur niveau de sécurité possible. En d'autres termes, le disque de coupe face à l'opérateur doit être protégé au maximum. Elle doit protéger l'opérateur des éclats et du contact accidentel avec le disque de coupe.**
- **Utilisez uniquement des disques de coupe au diamant. La possibilité d'installation d'équipement dans l'outil électrique seul ne garantit pas une utilisation sûre.**
- **N'utilisez les disques de coupe au diamant que pour les tâches auxquelles ils sont destinés. Par exemple, ne meulez jamais avec la surface latérale d'un disque de coupe. Les disques de coupe sont conçus pour éliminer le matériau avec le bord du disque. Appliquer une force latérale peut briser ce type de disque.**
- **Utilisez toujours des brides de fixation en bon état, de taille correspondant au disque de coupe. Les brides appropriées soutiennent le disque et réduisent le risque de rupture.**
- **Sécurisez la surface de travail, également derrière les ouvertures et les découpes. Les surfaces de travail non sécurisées peuvent vous mettre en danger ainsi que d'autres personnes.**
- **Surveillez les câbles électriques ouverts et couverts, ainsi que les conduites d'eau et de gaz. Utilisez des détecteurs adaptés pour déceler les conduites et/ou les câbles de service ou contactez le fournisseur de services local pour des conseils. Le contact avec des câbles électriques peut provoquer un incendie et un choc électrique. L'endommagement d'une conduite de gaz peut provoquer une explosion. La pénétration dans une conduite d'eau peut**

provoquer des dommages matériels ou un choc électrique.

- **Dans tous les cas où l'outil électrique peut toucher des câbles électriques ou son propre cordon d'alimentation, tenez-le uniquement par la poignée isolée.**

Lorsqu'elles sont en contact avec des câbles sous tension, toutes les pièces métalliques de l'outil électrique sont également sous tension, ce qui peut provoquer un choc électrique subi par l'opérateur.

- **Évitez de créer des situations où d'autres personnes peuvent trébucher.** Trébucher sur des câbles peut provoquer des blessures graves.
- **Sécurisez l'ouvrage.** Un ouvrage parfaitement maintenu par des dispositifs de fixation est plus facile à tenir en toute sécurité qu'avec la main.
- **Évitez l'accumulation de poussière sur le lieu de travail.** Les poussières sont facilement inflammables.
- **Assurez une ventilation adéquate dans les pièces fermées.** Risque dû à la poussière et à une vision limitée.
- **La poussière de matériaux comme les revêtements contenant du plomb, différents types de bois, minéraux et métaux peut être nocive pour la santé et provoquer des réactions allergiques, des maladies respiratoires et/ou le cancer.** Les matériaux contenant de l'amiante ne doivent être usinés que par des spécialistes.
 - Lorsque cela est possible, utilisez un aspirateur de type industriel adapté au matériau sur lequel vous travaillez.
 - Veillez à ce que le lieu de travail soit correctement ventilé.
 - Respectez les réglementations en vigueur dans votre pays concernant les matériaux à usiner.
- **Tenez le cordon d'alimentation à l'écart des outils rotatifs en fonctionnement.** La perte de contrôle de l'outil électrique peut entraîner le sectionnement ou le coincement de cordon d'alimentation ; une main ou l'ensemble d'un bras peut également être happé dans l'outil rotatif en fonctionnement.
- **Ne portez pas l'outil électrique lorsqu'il est en rotation.** Le contact accidentel de l'outil rotatif en fonctionnement avec les vêtements peut les attraper et plonger l'outil en

fonctionnement dans le corps de l'opérateur.

- **Ne commencez pas à travailler avant que l'outil électrique atteigne sa vitesse de rotation complète.**
- **N'exposez pas les disques de coupe au diamant à une pression latérale.**
- **N'utilisez jamais les disques de coupe au diamant pour du meulage grossier.**

Sécurité électrique

Lorsque vous utilisez des machines électriques, veuillez toujours observer les consignes de sécurité locales en vigueur afin de réduire les risques d'incendie, de décharge électrique et de blessure. En plus des instructions ci-dessous, lisez entièrement les consignes de sécurité fournies avec le produit.



Vérifiez que la tension d'alimentation correspond à la tension nominale indiquée sur la plaque signalétique.



Machine de classe II - Double isolation - Vous n'avez pas besoin de prise avec mise à la terre.

Si vous êtes contraint d'utiliser un outil électrique dans un environnement humide, utilisez une alimentation protégée par un dispositif à courant résiduel (RCD). L'utilisation d'un RCD réduit le risque de décharge électrique.

2. INFORMATIONS RELATIVES A LA MACHINE

Utilisation prévue

Cet outil électrique est conçu pour couper de la maçonnerie à sec (brique, blocs de calcaire, pierre non taillée) et béton. Il ne doit pas être utilisé pour la coupe humide ni pour couper du métal, du verre, du bois, etc.

Spécifications techniques

N° de modèle de la machine	WCM1001P
N° de modèle du disque de coupe	WCA1001
Tension de secteur	230 V~
Fréquence de secteur	50 Hz
Entrée d'alimentation	2400W
Vitesse à vide	8000 /min
Diamètre du disque	150mm
Alésage du disque	22,2mm
Épaisseur de planche	43mm

Largeur de coupe	30mm
Poids	6,2 kg
Niveau de pression acoustique (LPA)	97 + 3 dB(A)
Niveau d'intensité acoustique (LWA)	108 + 3 dB(A)
Valeur vibratoire ah	10,94 + 1,5 m/s ²

Niveau de vibrations

Le niveau des vibrations émises, indiqué dans ce manuel, a été mesuré conformément à la procédure décrite par la norme EN60745. Il peut être utilisé pour comparer deux outils ou pour réaliser une estimation préalable de l'exposition aux vibrations lors de l'utilisation de l'outil pour les applications mentionnées.

- L'utilisation de l'outil dans d'autres applications ou avec des accessoires différents ou mal entretenus peut considérablement augmenter le niveau d'exposition.
- La mise hors tension de l'outil et sa non-utilisation pendant qu'il est allumé peuvent considérablement réduire le niveau d'exposition.

Protégez-vous contre les effets des vibrations par un entretien correct de l'outil et de ses accessoires, en vous échauffant les mains et en organisant vos rythmes de travail.

Description

Les numéros dans le texte se rapportent aux schémas de la page 2-3.

1. Interrupteur marche/arrêt
2. Bouton de déverrouillage
3. Poignée arrière
4. Rouleau arrière
5. Cache des balais carbone
6. Boulon de lame
7. Bride extérieure
8. Disque au diamant
9. Rouleau avant
10. Rouleau avant
11. Levier de réglage en profondeur
12. Port d'extraction des poussières
13. Graduation de réglage en profondeur
14. Flexible d'aspiration

3. MONTAGE



Avant le montage, mettez toujours la machine hors tension et débranchez la fiche de la prise secteur.

Montage et remplacement du disque

Fig. A, C, D



Un disque brisé ou endommagé doit être remplacé immédiatement.



Utilisez uniquement des disques dont la vitesse de rotation admissible est supérieure ou égale à la vitesse maximale hors charge de la machine.

Le ciseleur mural est conçu pour fonctionner avec des disques spéciaux 3 en 1. N'utilisez que des disques approuvés par le fabricant.

1. Tenez la bride extérieure (7) à l'aide de la grande clé fournie.
2. Déposez le boulon (6) à l'aide de la petite clé fournie.

Remarque : le boulon est fileté à gauche.

3. Déposez la bride extérieure (7).
4. Montez le disque (8) sur la broche. Vérifiez que la flèche sur le carter correspond avec la flèche sur le disque (8).

Remarque : la broche ne dépasse pas du trou du disque (8).

5. Posez la bride extérieure (7) dans le trou du disque. Faites tourner la bride extérieure (7) en appuyant dessus, jusqu'à ce qu'elle soit complètement serrée.
6. Serrez le boulon (6).
7. Utilisez la grande clé pour tenir la bride extérieure (7). Serrez maintenant le boulon (6) à l'aide de la petite clé.

Pour retirer le disque, suivez la procédure d'installation dans l'ordre inverse.

Extraction de la poussière

Fig. A, F



Assurez-vous de la bonne aération du lieu de travail.



Portez un masque anti-poussière

La poussière de certains matériaux comme les matières particulaires peut être nocive pour votre santé. Respirer cette poussière peut engendrer des réactions allergiques et/ou des maladies respiratoires aux utilisateurs et aux personnes à proximité. C'est pourquoi vous devez utiliser un

système d'extraction adapté au matériau. Pour ce faire :



L'extracteur de poussière doit être adapté à la matière aspirée.



Utilisez un extracteur spécial pour aspirer la poussière sèche qui est particulièrement nocive pour la santé ou cancérogène.

Il est possible de raccorder un flexible d'aspirateur (14) sur le raccord de sortie de la poussière (12). Lorsque vous commencez à travailler, mettez d'abord en marche le système d'extraction, par exemple un aspirateur industriel, puis le ciseleur mural. Une fois le travail terminé, procédez à l'inverse : arrêtez le ciseleur mural en premier lieu, puis l'aspirateur.



Évitez l'accumulation de poussière sur le lieu de travail. La poussière est facilement inflammable.

Le système d'extraction des poussières peut être obstrué par de la poussière, des copeaux ou des fragments de l'ouvrage. Il doit donc être nettoyé régulièrement. Pour ce faire :

1. Débranchez la prise de l'alimentation électrique.
2. Attendez que le disque (8) soit complètement arrêté.
3. Éliminez au besoin tout ce qui fait blocage.

4. FONCTIONNEMENT

Réglage de la profondeur de coupe

Fig. B, E



Réglez la profondeur de ciselure avant de commencer à travailler, appareil éteint.

1. Desserrez le levier (11) en le déplaçant vers l'arrière.
2. Réglez la profondeur de coupe voulue, comme illustré à la figure E. La profondeur est indiquée sur la graduation (13).
3. Serrez le levier (11) en le déplaçant vers l'avant.

Mise en marche et arrêt

Fig. A

- Pour mettre la machine en marche, enfoncez le bouton de déblocage (2) sans le relâcher tout en appuyant sur l'interrupteur marche/arrêt (1).
- Pour arrêter la machine, relâchez l'interrupteur marche/arrêt (1).

Réaliser une coupe

Fig. A, G



Le ciseleur mural est conçu uniquement pour des coupes droites. La réalisation de coupes incurvées ou rondes est interdite.



L'outil est conçu uniquement pour des coupes à sec.



Tenez toujours l'outil à deux mains par les poignées isolées.

1. Tracez des lignes pour définir la direction dans laquelle guider les disques.
 2. Montez un aspirateur sur le raccord de sortie de la poussière.
 3. Réglez la profondeur de coupe.
 4. Positionnez le rouleau arrière (4) sur la surface du mur. À noter que le disque ne doit pas encore toucher la surface du mur.
 5. Mettez le ciseleur mural en marche et attendez que les disques atteignent leur pleine vitesse de rotation.
 6. Abaissez graduellement le ciseleur mural, en plongeant les disques dans la surface du mur.
 7. Dès que le rouleau avant (9) repose sur la surface du mur, poursuivez la coupe et déplacez l'outil vers l'avant en l'éloignant de vous (dans la direction opposée de la rotation du disque de coupe).
 8. Déplacez lentement la machine le long des lignes préalablement tracées, en appuyant fermement les roues contre le mur.
- Remarque :** N'appuyez pas trop sur la machine. Laissez-la travailler. Une pression excessive peut provoquer la surchauffe du moteur et endommager le disque de coupe.
9. Pour terminer la coupe, arrêtez la machine et attendez que les disques soient complètement arrêtés. Déposez ensuite les disques du ciseleur et posez la machine.



Après avoir arrêté le ciseleur mural, ne forcez pas l'interruption de la rotation du disque en l'appuyant contre le matériau traité.



Les disques de coupe en fonctionnement peuvent chauffer à de hautes températures - ne les touchez pas avec des parties non protégées de votre corps avant qu'ils n'aient refroidi.

Remarque : En coupant des matériaux très durs, le disque de coupe peut surchauffer et être endommagé en conséquence. Une quantité excessive d'étincelles autour du disque de coupe indique un état de surchauffe. Dans ce cas, cessez la coupe et refroidissez le disque en le faisant fonctionner à pleine vitesse de rotation sans charge pendant 3 à 5 minutes. Une diminution de l'efficacité de coupe et une quantité excessive constante d'étincelles autour du disque peuvent indiquer un disque de coupe émoussé.

5. ENTRETIEN



Avant le nettoyage et l'entretien, mettez toujours la machine hors tension et débranchez la fiche de la prise secteur.

Nettoyez le corps de la machine régulièrement au moyen d'un chiffon doux, de préférence après chaque utilisation. Vérifiez que les ouvertures d'aération ne sont pas obstruées ni sales. Utilisez un chiffon doux légèrement humidifié avec de la mousse de savon pour nettoyer les taches persistantes. N'utilisez pas de produits de nettoyage tels que l'essence, l'alcool, l'ammoniac, etc. ; ces produits peuvent endommager les parties synthétiques.

ENVIRONNEMENT



Les équipements électroniques ou électriques défectueux ou destinés à être mis au rebut doivent être déposés aux points de recyclage appropriés.

Uniquement pour les pays de l'UE

Ne jetez pas les outils électriques avec les déchets domestiques. Selon la Directive européenne 2012/19/CE relative aux déchets d'équipements

électriques et électroniques et sa mise en œuvre dans le droit national, les outils électriques hors d'usage doivent être collectés séparément et mis au rebut de manière écologique.

GARANTIE

Les produits FERM sont développés aux plus hauts standards de qualité et ils sont garantis contre les défauts de pièces et de main d'oeuvre pendant la durée légale stipulée à partir de la date d'achat d'origine du produit. En cas d'une quelconque panne du produit pendant cette durée qui serait due à un défaut matériel et/ou de main d'oeuvre, contactez directement FERM.

Les circonstances suivantes ne sont pas prises en charge par la garantie:

- Des réparations ou altérations ont été effectuées ou tentées sur la machine par un centre de réparation non agréé.
- L'usure normale.
- L'outil a été maltraité, mal utilisé ou mal entretenu.
- Des pièces détachées non d'origine ont été utilisées

Ceci constitue l'unique garantie accordée par la société explicitement ou implicitement. Il n'existe aucune autre garantie, explicite ou implicite, qui peut s'étendre au delà du contenu ici présent, y compris les garanties marchandes ou d'adaptation à des fins particulières. En aucun cas FERM ne sera tenu responsable de dommages accidentels ou consécutifs. Les solutions proposées par les revendeurs devront se limiter à la réparation ou le remplacement des éléments ou pièces non conformes.

Le produit et le manuel d'utilisation sont sujets à modifications. Les spécifications peuvent changer sans préavis.

Scanalatore per muro 2400W WCM1001P

Grazie per aver acquistato questo prodotto Ferm. Con il suo acquisto è entrato in possesso di un prodotto eccellente, offerto da uno dei distributori leader in Europa. Tutti i prodotti Ferm sono fabbricati in base ai più elevati standard di prestazioni e sicurezza e, in accordo con la nostra filosofia, forniamo un eccellente servizio di assistenza alla clientela accompagnato da una garanzia completa. Ci auguriamo che troverà di suo gradimento l'utilizzo di questo prodotto per molti anni a venire.

1. ISTRUZIONI DI SICUREZZA



Leggere le avvertenze di sicurezza contenute nel presente manuale, le avvertenze di sicurezza aggiuntive e le istruzioni. La mancata osservanza delle avvertenze di sicurezza e delle istruzioni potrebbe causare scosse elettriche, incendi e/o lesioni gravi. **Conservare le avvertenze di sicurezza e le istruzioni per una futura consultazione.**

I simboli riportati di seguito vengono utilizzati all'interno del manuale per l'utente oppure sono indicati sul prodotto:



Leggere il manuale per l'utente.



Denota il rischio di lesioni personali, morte o danni all'utensile in caso di mancata osservanza delle istruzioni contenute nel presente manuale.



Rischio di scosse elettriche.



Staccare immediatamente la spina del cavo di alimentazione dalla presa di corrente se il cavo è danneggiato e durante le operazioni di pulizia e di manutenzione.



Rischio di oggetti volanti. Tenere lontano chiunque si trovi nelle vicinanze dall'area di lavoro.



Indossare sempre occhiali protettivi!



Indossare protezioni per l'udito.



Indossare una mascherina anti-polvere.



Indossare guanti di protezione.



Ne pas utiliser sous la pluie.



Machine de classe II - Double isolation - Vous n'avez pas besoin de prise avec mise à la terre.



Non smaltire il prodotto in contenitori non idonei.



Il prodotto è conforme alle norme di sicurezza vigenti ai sensi delle direttive europee.

Avvertenze di sicurezza specifiche per le operazioni di molatura o taglio abrasivo:

- Questo elettroutensile è inteso per l'uso come mola. Leggere tutte le avvertenze di sicurezza, le istruzioni, le illustrazioni e le specifiche tecniche fornite insieme a questo elettroutensile.** La mancata osservanza delle avvertenze di sicurezza e delle istruzioni potrebbe causare scosse elettriche, incendi e/o lesioni gravi.
- L'esecuzione di operazioni quali levigatura con abrasivi, spazzolatura e lucidatura con questo elettroutensile non è raccomandata.** L'esecuzione di operazioni non previste per l'elettroutensile potrebbe creare dei rischi e provocare lesioni personali.
- Non utilizzare accessori non progettati specificatamente e non raccomandati dal costruttore dell'elettroutensile.** Il solo fatto che l'accessorio si attacchi all'elettroutensile non assicura la sicurezza operativa.
- La velocità nominale dell'accessorio deve essere almeno pari alla velocità massima indicata sull'elettroutensile.** Gli accessori che funzionano a una velocità superiore alla propria

velocità nominale possono rompersi e staccarsi.

- e) **Il diametro esterno e lo spessore dell'accessorio devono rientrare nella capacità nominale dell'elettroutensile.** *Gli accessori di dimensioni non corrette non possono essere adeguatamente protetti o controllati.*
- f) **La filettatura degli accessori deve corrispondere al filetto del mandrino della smerigliatrice. Per gli accessori attaccati tramite flangia, il foro dell'albero dell'accessorio deve corrispondere al diametro della flangia.** *Gli accessori il cui sistema di attacco non corrisponde alla struttura di montaggio dell'elettroutensile si sbilanciano, vibrano eccessivamente e possono causare la perdita di controllo.*
- g) **Non utilizzare un accessorio danneggiato. Prima di ogni utilizzo controllare gli accessori per verificare ad esempio che sui dischi abrasivi non vi siano scheggiature e lesioni, che non siano presenti crepe o segni eccessivi di usura sul platorello, che le spazzole metalliche non abbiano filamenti metallici staccati o spezzati. Se l'elettroutensile o l'accessorio cade, verificare gli eventuali danni o montare un accessorio integro. Dopo aver controllato e montato un accessorio, l'operatore e le altre persone eventualmente presenti devono sistemarsi lontano dal piano dell'accessorio rotante e l'elettroutensile deve essere fatto girare a vuoto alla massima velocità per un minuto.** *Gli accessori danneggiati normalmente si rompono durante questa fase di verifica.*
- h) **Indossare dispositivi di protezione individuale. A seconda delle operazioni da eseguire, utilizzare una maschera o occhiali protettivi. Se opportuno, indossare una maschera antipolvere, protezioni acustiche, guanti e un grembiule da lavoro in grado di arrestare frammenti abrasivi o di lavorazione di piccole dimensioni. Il dispositivo di protezione oculare deve impedire ai detriti volanti prodotti durante l'esecuzione delle varie lavorazioni di raggiungere gli occhi. La maschera antipolvere o il respiratore devono essere in grado di filtrare le particelle generate durante l'esecuzione delle varie lavorazioni. L'esposizione prolungata a rumori di elevata intensità può causare la perdita dell'udito.**
- i) **Tenere le persone presenti a distanza di sicurezza dall'area di lavoro. Chiunque acceda all'area di lavoro deve indossare dispositivi di protezione individuale adeguati.** *Frammenti del pezzo da lavorare o di un accessorio rotto possono volare e causare danni o lesioni anche oltre l'immediata area di lavoro.*
- j) **Quando si eseguono operazioni in cui l'accessorio di taglio può entrare in contatto con fili elettrici nascosti o con il cavo di alimentazione dell'elettroutensile, tenerlo esclusivamente dalle impugnature, che sono isolate.** *Gli accessori da taglio che vengono a contatto con un cavo sotto tensione trasmettono la corrente elettrica anche alle parti metalliche esposte dell'elettroutensile con il pericolo di provocare la folgorazione dell'operatore.*
- k) **Posizionare il cavo di alimentazione lontano dall'accessorio rotante.** *In caso di perdita di controllo, il cavo potrebbe essere tagliato o impigliarsi, trascinando la mano o il braccio dell'operatore verso l'accessorio rotante.*
- l) **Non appoggiare mai l'elettroutensile finché l'accessorio non si sia completamente arrestato.** *L'accessorio rotante potrebbe fare presa sulla superficie e trascinare l'elettroutensile facendone perdere il controllo.*
- m) **Non accendere l'elettroutensile mentre lo si trasporta sul fianco.** *Un contatto accidentale con l'accessorio rotante potrebbe farlo impigliare agli indumenti dell'operatore trascinandolo verso il suo corpo.*
- n) **Pulire regolarmente le prese d'aria dell'elettroutensile.** *La ventola di raffreddamento del motore attira la polvere all'interno dell'alloggiamento e l'accumulo eccessivo di metallo polverizzato può causare rischi elettrici.*
- o) **Non utilizzare l'elettroutensile in prossimità di materiali infiammabili.** *Le scintille potrebbero incendiare tali materiali.*
- p) **Non utilizzare accessori che richiedono refrigeranti liquidi.** *L'utilizzo di acqua o altri liquidi refrigeranti può provocare elettrocuzione o scosse elettriche.*

Contraccolpo e relative avvertenze

Il contraccolpo è una reazione improvvisa provocata da un disco, un platorello, una spazzola o qualsiasi altro accessorio in rotazione che rimanga schiacciato o impigliato. Ciò provoca un arresto

immediato dell'accessorio rotante che a sua volta causa la perdita di controllo dell'elettrotensile, che viene spinto nella direzione opposta rispetto alla rotazione dell'accessorio nel punto in cui è stato trattenuto. Ad esempio, se il disco abrasivo rimane schiacciato o impigliato dal pezzo da lavorare, il bordo del disco penetrato nel punto di schiacciamento può scavare nel materiale e causare lo scavalco o il contraccolpo del disco. Il disco può saltare sia verso l'operatore che in direzione opposta a seconda della direzione del movimento del disco nel punto di schiacciamento. In queste condizioni i dischi abrasivi possono anche rompersi. Il contraccolpo è il risultato di un uso errato dell'elettrotensile e/o di metodi o condizioni di lavoro scorretti e può essere evitato prendendo le appropriate precauzioni, come descritto di seguito.

- a) **Mantenere una presa salda sull'elettrotensile, posizionando il corpo e le braccia in modo da resistere alle forze di contraccolpo. Utilizzare sempre l'impugnatura ausiliaria, se presente, per avere il massimo controllo sulla forza di contraccolpo o sulla reazione di coppia durante l'avviamento.** *Con le necessarie precauzioni, l'operatore può controllare le reazioni di coppia e le forze di contraccolpo.*
- b) **Non porre mai le mani vicino all'accessorio in rotazione.** *L'accessorio potrebbe subire un contraccolpo rimbalzando sulle mani dell'operatore.*
- c) **Non posizionarsi nell'area verso cui potrebbe dirigersi l'elettrotensile in caso di contraccolpo.** *Il contraccolpo spinge l'elettrotensile nella direzione opposta al movimento del disco nel punto in cui si impiglia.*
- d) **Prestare particolare attenzione quando si lavorano angoli, estremità appuntite ecc.** *Evitare che l'accessorio rimbalzi o si impigli. Angoli, estremità appuntite o rimbalzi tendono a fare impigliare l'accessorio rotante, provocando la perdita di controllo o il contraccolpo dell'elettrotensile.*
- e) **Non collegare una lama da motosega per legno o una lama dentata.** *Queste lame creano contraccolpi e perdita di controllo frequenti.*

Istruzioni di sicurezza aggiuntive

- I minori di 16 anni non possono usare questa macchina.

- **L'utilizzatore o l'operatore deve conoscere il contenuto di questo manuale di istruzioni.**
- **Prima eseguire scanalature in muri portanti consultare l'ingegnere strutturale, l'architetto o il capo cantiere responsabile.**
- **Utilizzare l'elettrotensile solo se la protezione in dotazione è installata. La protezione deve essere montata saldamente sull'elettrotensile e regolata in modo da garantire il miglior livello di sicurezza possibile, il che significa che la parte del disco di taglio rivolta verso l'operatore deve essere schermata il più possibile.** *La protezione deve riparare l'operatore dalle schegge e dal contatto accidentale con un disco di taglio.*
- **Usare solo dischi di taglio diamantati.** *La possibilità di installare un accessorio nell'elettrotensile da solo non garantisce l'uso sicuro.*
- **Utilizzare dischi di taglio diamantati solo per le finalità per le quali sono stati progettati. Ad esempio, non eseguire mai lavori di smerigliatura utilizzando la superficie laterale di un disco di taglio. I dischi di taglio sono progettati per rimuovere il materiale con il bordo del disco.** *L'applicazione di una forza laterale potrebbe provocare la rottura di un disco di questo tipo.*
- **Utilizzare sempre flange di fissaggio non danneggiate con dimensioni adatte al disco di taglio.** *Le flange adeguate sostengono il disco di taglio e riducono il rischio di rottura.*
- **Mettere in sicurezza l'area di lavoro, anche dietro aperture e tagli.** *Le aree di lavoro non protette possono mettere in pericolo l'operatore e altre persone.*
- **Prestare attenzione ai cavi elettrici scoperti e nascosti, così come alle tubature dell'acqua e del gas.** *Utilizzare appositi rilevatori per individuare i tubi e/o i cavi delle utenze nascosti, oppure rivolgersi a un'azienda di fornitura di acqua, luce e gas della zona per una consulenza. Il contatto con cavi elettrici può provocare incendi e scossa elettrica. Un tubo del gas danneggiato può causare un'esplosione. La perforazione di un tubo dell'acqua provoca danni materiali o potrebbe causare una scossa elettrica.*
- **Ogniqualevolta sussista la possibilità che l'elettrotensile colpisca fili elettrici nascosti**

o il proprio cavo di alimentazione durante l'uso, afferrarlo solo dall'impugnatura isolata.

Se l'elettrotensile viene a contatto con fili sotto tensione, anche tutte le sue parti metalliche sono sotto tensione e questo può causare la folgorazione dell'operatore.

- **Evitare di provocare situazioni in cui altre persone possano inciampare o cadere.**
Inciampare sui cavi può causare gravi lesioni personali.
- **Fissare il pezzo in lavorazione.** *Un pezzo in lavorazione fissato saldamente in dispositivi di serraggio o in una morsa è bloccato in modo più sicuro di quanto lo sia se tenuto in mano.*
- **Evitare che si accumulino polveri nel luogo di lavoro.** *La polvere può incendiarsi facilmente.*
- **Garantire una ventilazione sufficiente nei locali chiusi.** *Rischio dovuto alla polvere e vista ridotta.*
- **Le polveri di materiali come i rivestimenti contenenti piombo, diversi tipi di legno, minerali e metalli possono essere dannose per la salute e causare reazioni allergiche, malattie respiratorie e/o tumori.** *Il materiale contenente amianto può essere lavorato solo da personale specializzato.*
 - *Ove possibile, utilizzare un aspiratore di tipo industriale adatto al materiale a cui si sta lavorando.*
 - *Assicurarsi che il luogo di lavoro sia adeguatamente arieggiato.*
 - *Rispettare le normative pertinenti in vigore nel proprio Paese per i materiali da lavorare.*
- **Tenere il cavo di alimentazione a distanza da utensili in funzione che girano.** *La perdita di controllo dell'elettrotensile può comportare che il cavo di alimentazione venga tagliato o agganciato; inoltre la mano o l'intero braccio dell'operatore potrebbero finire nell'utensile di lavoro che gira.*
- **Non trasportare l'elettrotensile mentre è in funzione.** *Il contatto dell'utensile in funzione con gli indumenti potrebbe comportare che esso vi si agganci e si conficchi nel corpo dell'operatore.*
- **Non iniziare a lavorare prima che l'elettrotensile raggiunga la massima velocità di rotazione.**
- **Non esporre i dischi diamantati per taglio a secco a una pressione laterale.**
- **Non utilizzare mai dischi diamantati per taglio a secco per la sgrossatura.**

Sicurezza elettrica

Quando si utilizzano apparecchi elettrici, osservare sempre le norme di sicurezza vigenti nel proprio paese per ridurre il rischio di incendi, scosse elettriche e lesioni personali. Leggere le istruzioni di sicurezza riportate di seguito oltre a quelle allegate al presente manuale.



Verificare sempre che la tensione della rete di alimentazione corrisponda al valore riportato sulla targhetta dei valori nominali dell'elettrotensile.



Apparecchio di Classe II - Doppio isolamento - Non è necessario il collegamento a terra.

Se non è possibile evitare l'uso di un elettrotensile in ambiente umido, usare una rete di alimentazione protetta da un interruttore differenziale (salvavita). L'uso di un salvavita riduce il rischio di scosse elettriche.

2. INFORMAZIONI RELATIVE ALL'APPARECCHIO

Uso previsto

Questo elettrotensile è progettato per il taglio a secco di muratura (mattoni, blocchi di calce-sabbia, pietra grezza) e calcestruzzo. Non deve essere utilizzato per il taglio a umido o per eseguire tagli in metallo, vetro, legno, ecc.

Dati tecnici

Modello n.° de la macchina	WCM1001P
Modello n.° Disco da taglio	WCA1001
Tensione di rete	230 V~
Fréquence de secteur	50 Hz
Potenza assorbita	2400W
Velocità a vuoto	8000 /min
Diametro del disco	150mm
Alesaggio del disco	22,2mm
Profondità max. di taglio	43mm
Larghezza di taglio	30mm
Peso	6,2 kg
Livello pressione sonora (LPA)	97 + 3 dB(A)
Livello potenza sonora (LWA)	108 + 3 dB(A)
Vibrazioni ah	10,94 + 1,5 m/s ²

Livello delle vibrazioni

Il livello di emissione delle vibrazioni indicato sul retro di questo manuale di istruzioni è stato misurato in conformità a un test standardizzato stabilito dalla norma EN 60745; questo valore può essere utilizzato per mettere a confronto un l'utensile con un altro o come valutazione preliminare di esposizione alla vibrazione quando si impiega l'utensile per le applicazioni menzionate.

- se si utilizza l'utensile per applicazioni diverse, oppure con accessori differenti o in scarse condizioni, il livello di esposizione potrebbe aumentare notevolmente.
- i momenti in cui l'utensile è spento oppure è in funzione ma non viene effettivamente utilizzato per il lavoro, possono contribuire a ridurre il livello di esposizione.

Proteggersi dagli effetti della vibrazione effettuando la manutenzione dell'utensile e dei relativi accessori, mantenendo le mani calde e organizzando i metodi di lavoro.

Descrizione

I numeri che compaiono nel testo si riferiscono agli schemi riportati alle pagine 2-3.

1. Interruttore On/Off
2. Interruttore di blocco di sicurezza
3. Impugnatura posteriore
4. Rullo posteriore
5. Coperchio spazzole in carbonio
6. Bullone di fissaggio della lama
7. Flangia esterna
8. Disco diamantato
9. Rullo anteriore
10. Rullo anteriore
11. Leva di regolazione profondità
12. Porta per l'estrazione di polveri
13. Scala di regolazione profondità
14. Tubo flessibile di aspirazione

3. MONTAGGIO



Prima del montaggio spegnere sempre l'elettro utensile e staccare la spina dalla presa di corrente.

Fissaggio e sostituzione del disco

Figg. A, C e D



Un disco rotto o danneggiato deve essere sostituito immediatamente.



Utilizzare solo dischi la cui velocità di rotazione consentita sia superiore o uguale alla velocità massima a vuoto della macchina.

Questa scanalatrice da muro è progettata per l'uso con dischi speciali 3 in 1. Utilizzare esclusivamente i dischi approvati dal produttore.

1. Tenere ferma la flangia esterna (7) utilizzando la chiave grande in dotazione.
2. Rimuovere il bullone (6) utilizzando la chiave piccola in dotazione.

Nota: la filettatura del bullone è sinistrorsa.

3. Rimuovere la flangia esterna (7).
4. Inserire il disco (8) sul mandrino. Assicurarsi che la freccia sull'alloggiamento corrisponda alla freccia sul disco (8).

Nota: il mandrino non sporge dal foro del disco (8).

5. Inserire la flangia esterna (7) nel foro del disco e ruotarla tenendola premuta, fino a quando è completamente serrata.
6. Serrare il bullone (6).
7. Utilizzare la chiave grande per tenere ferma la flangia esterna (7). A questo punto serrare il bullone (6), utilizzando la chiave piccola.

Per rimuovere il disco seguire la procedura di installazione in ordine inverso.

Aspirazione delle polveri

Figg. A e F



Fornire una buona ventilazione sul posto di lavoro.



Indossare una mascherina.

Le polveri prodotte da alcuni materiali, come ad esempio il particolato, possono essere dannose per la salute. L'inalazione di questa polvere può causare reazioni allergiche e/o causare malattie respiratorie per l'utilizzatore o le persone che si trovano nelle immediate vicinanze. Per questo motivo è necessario utilizzare un sistema di

aspirazione delle polveri adatto al materiale.

Procedere come descritto di seguito:



Il dispositivo di aspirazione delle polveri.



Durante l'aspirazione di polvere secca particolarmente dannosa per la salute o cancerogena, utilizzare un dispositivo di aspirazione delle polveri specifico.

Alla presa per l'aspirazione delle polveri (12) può essere collegato il tubo flessibile di un dispositivo di aspirazione (14). Quando si inizia a lavorare, accendere prima l'impianto di aspirazione delle polveri (ad esempio un aspiratore industriale) e successivamente la scanalatrice da muro. A lavoro finito procedere in ordine inverso: spegnere prima la scanalatrice muro e successivamente il dispositivo di aspirazione.



Evitare che si accumuli polvere nel luogo di lavoro. La polvere può facilmente incendiarsi.

L'impianto di aspirazione delle polveri può essere ostruito da polvere, schegge o frammenti di pezzi in lavorazione, pertanto, deve essere pulito regolarmente. Procedere come descritto di seguito:

1. Staccare la spina dalla presa di corrente.
2. Attendere fino al completo arresto del disco (8).
3. Rimuovere le eventuali ostruzioni, se necessario.

4. UTILIZZO

Regolazione della profondità di taglio

Figg. B ed E



Impostare la profondità del taglio prima di iniziare a lavorare e con la macchina spenta.

1. Allentare la leva (11) spostandola indietro.
2. Impostare la profondità di taglio desiderata, come mostrato nella Figura E. La profondità può essere letta sull'apposita scala graduata (13).
3. Serrare la levetta (11) spostandola in avanti.

Accensione e spegnimento

Figg. A

- Per accendere l'elettrotensile, mantenere premuto il pulsante di sblocco (2) e contemporaneamente premere l'interruttore on/off (1).
- Per spegnere l'elettrotensile, rilasciare l'interruttore on/off (1).

Esecuzione di un taglio

Figg. A e G

La scanalatrice da muro è progettata solo per eseguire tagli dritti. Non è consentito eseguire tagli curvi o circolari.



L'utensile è progettato solo per l'esecuzione di tagli a secco.



Sorreggere sempre l'elettrotensile con entrambe le mani sulle impugnature isolate.

1. Tracciare una linea per definire la direzione in cui guidare i dischi di taglio.
 2. Collegare un dispositivo di aspirazione delle polveri all'apposita presa.
 3. Impostare la profondità di taglio.
 4. Posizionare il rullo posteriore (4) sulla superficie del muro. Si noti che il disco non dovrebbe ancora toccare la superficie del muro.
 5. Accendere la scanalatrice da muro e attendere che i dischi di taglio raggiungano la massima velocità di rotazione.
 6. Abbassare gradualmente la scanalatrice da muro, immergendo i dischi nella superficie del muro.
 7. Appena il rullo anteriore (9) si appoggia sulla superficie della parete, continuare con il taglio e spostare la scanalatrice da muro in avanti e lontano da sé (nella direzione opposta rispetto alla direzione di rotazione del disco di taglio).
 8. Muovere lentamente la macchina lungo la linea pre-tracciata, premendo con decisione i dischi di taglio contro la parete.
- Nota:** non esercitare troppa pressione sulla macchina. Lasciare che sia la macchina a svolgere il lavoro. Una pressione eccessiva può provocare il surriscaldamento del motore e danneggiare il disco di taglio.
9. Per terminare il taglio spegnere la macchina

e attendere che i dischi si siano arrestati completamente. A questo punto estrarre i dischi dalla scanalatura e posare la macchina.



Una volta spenta la scanalatrice da muro, non forzare l'arresto del disco premendo contro il materiale in lavorazione.



Durante l'uso i dischi di taglio si riscaldano raggiungendo alte temperature. Evitare il contatto con parti del corpo non protette prima che si raffreddino.

Nota: quando si tagliano materiali molto duri, il disco di taglio può surriscaldarsi e di conseguenza danneggiarsi. La formazione eccessiva di scintille intorno al disco di taglio è indice di surriscaldamento. Se compare, interrompere il processo di taglio e fare raffreddare il disco facendolo girare a vuoto a piena velocità di rotazione per 3-5 minuti. Una riduzione dell'efficienza di taglio e scintille eccessive e costanti attorno al disco di taglio possono indicare che il disco di taglio è smussato.

5. MANUTENZIONE



Prima di eseguire qualsiasi operazione di pulizia e intervento di manutenzione spegnere sempre l'elettrotensile e staccare la spina dalla presa di corrente.

Pulire regolarmente il corpo dell'elettrotensile con un panno morbido, preferibilmente dopo ogni uso. Assicurarsi che le prese d'aria siano libere da polvere e sporcizia. Rimuovere lo sporco particolarmente ostinato con un panno morbido inumidito con acqua e sapone. Non utilizzare solventi come benzina, alcol, ammoniaca, ecc. Le sostanze chimiche di questo tipo danneggiano i componenti sintetici.

RISPETTO AMBIENTALE



Le apparecchiature elettriche o elettroniche difettose e/o scartate devono essere raccolte presso gli opportuni siti di riciclaggio.

Solo per i Paesi CE

Non smaltire gli elettrotensili insieme ai rifiuti domestici. Secondo la Direttiva europea 2012/19/EC sui rifiuti delle apparecchiature elettriche ed elettroniche e relativa implementazione nelle normative locali, gli elettrotensili ormai inutilizzabili devono essere raccolti separatamente e smaltiti in modo ecologico.

GARANZIA

I prodotti FERM sono sviluppati secondo i più elevati standard di qualità e viene garantita l'assenza di difetti nei materiali e nella manodopera per il periodo contrattuale a partire dalla data di acquisto originale. Qualora il prodotto dovesse subire un guasto qualsiasi durante questo periodo a causa di difetti nei materiali e/o nella manodopera, si prega di contattare direttamente il FERM.

Le seguenti circostanze sono escluse da questa garanzia:

- Riparazioni e/o modifiche alla macchina sono state eseguite o tentate da centri di assistenza non autorizzati.
- Normale usura.
- L'utensile è stato abusato, utilizzato o mantenuto in modo improprio.
- Sono state utilizzate parti di ricambio non originali.

Ciò costituisce l'unica garanzia espressa o implicita fornita dall'azienda. Non esistono altre garanzie espresse o implicite che si estendono oltre il presente documento, ivi comprese le garanzie implicite di commerciabilità e idoneità per uno scopo particolare. In nessun caso FERM sarà responsabile di eventuali danni incidentali o consequenziali. I rimedi dei rivenditori saranno limitati alla riparazione o sostituzione di unità o parti non conformi.

Il prodotto e il manuale per l'utente sono soggetti a modifiche. I dati tecnici possono essere modificati senza ulteriore notifica.

Drážkovací fréзка 2400W WCM1001P

Děkujeme vám za zakoupení tohoto výrobku značky Ferm. Nyní máte k dispozici vynikající výrobek dodávaný jedním z hlavních evropských dodavatelů. Všechny výrobky dodávané společností Ferm jsou vyráběny podle požadavků nejnáročnějších norem týkajících se výkonu a bezpečnosti. Jako součást naší firemní filozofie poskytujeme také vynikající zákaznický servis, který je podporován naší komplexní zárukou. Doufáme, že vám náš výrobek bude řádně sloužit mnoho let.

1. BEZPEČNOSTNÍ POKYNY



Přečtěte si přiložené bezpečnostní výstrahy, dodatečné bezpečnostní výstrahy a bezpečnostní pokyny.

Nebudete-li dodržovat tyto bezpečnostní výstrahy a pokyny, může dojít k úrazu elektrickým proudem, k vzniku požáru nebo k způsobení vážného zranění. **Ušchevejte tyto bezpečnostní výstrahy a pokyny pro budoucí použití.**

V tomto návodu nebo na výrobku jsou použity následující symboly:



Přečtěte si návod k obsluze.



Upozorňuje na riziko zranění osob, ztráty života nebo poškození náradí, nebudou-li dodržovány pokyny uvedené v tomto návodu.



Riziko úrazu způsobeného elektrickým proudem



Ihned odpojte zástrčku napájecího kabelu od síťové zásuvky, dojde-li k jeho poškození nebo provádíte-li čištění a údržbu.



Riziko zranění odlétávajícími předměty. Zamezte přístupu nepovolaných osob do pracovního prostoru.



Vždy používejte ochranu zraku!



Používejte ochranu sluchu.



Nasad'te si ochrannou masku.



Používejte ochranné rukavice.



Nepoužívejte v dešti.



Náradí třídy II - Dvojitá izolace - Není nutné použití uzemňovacího vodiče.



Nevyhazujte tento výrobek do nevhodného kontejneru.



Tento výrobek je vyroben v souladu s platnými bezpečnostními normami, které jsou uvedeny ve směrnících EU.

Společné bezpečnostní výstrahy pro brusné i řezné pracovní operace:

- Toto elektrické náradí je určeno k tomu, aby bylo používáno jako náradí pro broušení. Přečtěte si všechny bezpečnostní výstrahy, pokyny, ilustrace a technické údaje dodané s tímto elektrickým náradím. Nebudete-li dodržovat všechny níže uvedené pokyny, může dojít k úrazu elektrickým proudem, k vzniku požáru nebo k způsobení vážného zranění.**
- Pracovní operace, jako jsou broušení, používání drátěných kartáčů, leštění, nejsou doporučeny, aby byly prováděny pomocí tohoto elektrického náradí. Pracovní operace, pro které není toto elektrické náradí určeno, mohou vytvářet určitá rizika a mohou vést k způsobení zranění.**
- Nepoužívejte příslušenství, které není specificky navrženo a doporučeno výrobcem tohoto náradí. Jen to, že může být příslušenství připevněno k vašemu náradí, nezaručuje jeho bezpečné použití.**
- Jmenovité otáčky příslušenství musí minimálně odpovídat maximálním otáčkám uvedeným na štítku náradí. Příslušenství pohybuje se rychleji, než jsou jeho jmenovité**

otáčky, se může rozlomit a může se rozletět na různé strany.

- e) **Vnější průměr a tloušťka vašeho příslušenství musí odpovídat kapacitě vašeho elektrického nářadí.** Příslušenství s nesprávnou velikostí nemůže být odpovídajícím způsobem chráněno a ovládáno.
- f) **Montážní závity příslušenství se musí shodovat se závitem vřetena brusky. U příslušenství montovaného pomocí přírub se musí upínací otvor pro hřídel shodovat s polohovacím průměrem příruby.** Příslušenství, která se neshodují s montážními prvky elektrického nářadí, budou nevyvážená, budou nadměrně vibrovat a mohou způsobit ztrátu ovladatelnosti.
- g) **Nepoužívejte poškozené příslušenství. Před každým použitím zkontrolujte příslušenství, jako jsou řezací kotouče, zda nejsou popraskány nebo jinak poškozeny, dále podpěrné podložky, zda nejsou prasklé, roztrhané nebo nadměrně opotřebované a zda nejsou příliš uvolněny nebo ulámaný dráty kartáče. Dojde-li k pádu elektrického nářadí nebo příslušenství, zkontrolujte, zda nedošlo k jejich poškození nebo použijte nepoškozené příslušenství. Po kontrole a instalaci příslušenství se postavte vy i ostatní osoby tak, abyste nestáli v ose rotace otáčejícího se příslušenství a uveďte elektrické nářadí na jednu minutu do maximálních otáček. Během této zkušební doby dojde u poškozeného příslušenství běžně k jeho zničení.**
- h) **Používejte prvky osobní ochrany. Podle provedené práce používejte obličejový štít a ochranné nebo bezpečnostní brýle. V závislosti na provozních podmínkách používejte masku proti prachu, ochranu sluchu, rukavice a dílenskou zástěru, která je schopná odolat odlétávajícím částicám materiálu. Ochrana zraku musí být schopna zastavit odlétávající částičky materiálu vznikající při různých operacích. Masky proti prachu nebo respirátor musí být schopny filtrovat částičky vytvářené při prováděné práci. Dlouhodobé působení vysoké hlučnosti může způsobit ztrátu sluchu.**
- i) **Udržujte okolo stojící osoby v bezpečné vzdálenosti od pracovního prostoru. Každá osoba vstupující do pracovního prostoru musí používat prvky osobní ochrany.** Odlétávající fragmenty obrobku nebo úlomky příslušenství mohou způsobit zranění i mimo bezprostřední pracovní prostor.
- j) **Při provádění prací, během kterých se může pracovní nástroj dostat do kontaktu se skrytým elektrickým vedením nebo s vlastním napájecím kabelem, držte elektrické nářadí pouze za izolovaná místa určená pro úchop.** Pracovní příslušenství, které se dostane do kontaktu s „živým“ elektrickým vodičem, může způsobit, že nechráněné kovové části nářadí budou také „živé“, což by mohlo vést k úrazu obsluhy elektrickým proudem.
- k) **Veďte napájecí kabel tak, aby se nedostal do blízkosti rotujícího příslušenství. Dojde-li k vaší nepozornosti, napájecí kabel může být přetržen nebo může dojít k jeho zachycení a vaše ruce nebo paže může být vtažena do rotujícího příslušenství.**
- l) **Nikdy elektrické nářadí neodkládejte, dokud nedojde k úplnému zastavení jeho pracovního příslušenství. Rotující příslušenství se může zachytit o povrch, čímž může dojít k ztrátě kontroly nad nářadím.**
- m) **Přenášíte-li elektrické nářadí v ruce podél těla, nikdy jej nespouštějte. Při náhodném kontaktu s rotujícím pracovním příslušenstvím, které by se mohlo zachytit o váš oděv, by mohlo dojít k vašemu zranění.**
- n) **Pravidelně čistěte větrací otvory elektrického nářadí. Ventilátor motoru bude nasávat prach do skříně motoru a nadměrné nahromadění kovového prachu uvnitř nářadí může způsobit závadu nebo úraz elektrickým proudem.**
- o) **Nepoužívejte elektrické nářadí v blízkosti hořlavých materiálů. Jiskry mohou způsobit vznícení těchto materiálů.**
- p) **Nepoužívejte pracovní nástroje vyžadující použití chladicí kapaliny. Použití vody nebo jiné chladicí kapaliny může vést k smrtelnému nebo k vážnému zranění elektrickým proudem.**

Zpětný ráz a příslušná rizika

Zpětný ráz je náhlou reakcí na zaseknutí nebo zablokování rotujícího kotouče, podpěrné podložky, kartáče nebo jiného pracovního příslušenství. Zaseknutí nebo zablokování způsobí rychlé zastavení rotujícího pracovního příslušenství, což způsobí nekontrolovaný pohyb elektrického nářadí v opačném směru, než je směr otáčení

pracovního příslušenství v místě jeho zablokování. Dojde-li například k zaseknutí nebo zablokování brusného kotouče v obrobku, část kotouče, která vniká do místa zablokování, se může zanýt do povrchu materiálu, což způsobí vyběhnutí nebo vyhození kotouče. Kotouč může vyskočit směrem k obsluze nebo směrem od obsluhy, v závislosti na směru pohybu kotouče v místě jeho zablokování. V takových situacích dochází také k prasknutí brusných kotoučů. Zpětný ráz vzniká v důsledku nesprávného použití elektrického nářadí nebo v důsledku nesprávných provozních postupů či provozních podmínek. Zpětnému rázu může být zabráněno, budou-li dodržovány níže uvedené pokyny.

- a) **Stále udržujte pevný úchop elektrického nářadí a udržujte takovou polohu vašeho těla a paží, která vám umožní odolávat silám zpětného rázu. Vždy používejte přídatnou rukojeť, je-li dodána s tímto nářadím, aby byla zaručena maximální ovladatelnost i v případě zpětného rázu nebo během momentové reakce při spuštění nářadí. Jsou-li prováděna správná opatření, obsluha může zvládat momentové reakce nebo síly zpětného rázu.**
- b) **Nikdy nepokládejte vaše ruce do blízkosti rotujícího příslušenství. Mohlo by dojít k zpětnému rázu příslušenství přes vaše ruce.**
- c) **Nestoupejte si do prostoru, do kterého se bude pohybovat elektrické nářadí, dojde-li k zpětnému rázu. Zpětný ráz způsobí pohyb nářadí ve směru, který je opačný, než je pohyb kotouče v místě jeho zablokování.**
- d) **Při práci v rozích nebo na hranách obrobků buďte velmi opatrní. Zabraněte odrážení a zachytávání pracovního příslušenství. Rohy, ostré hrany nebo odskakování mají tendenci způsobovat zablokování rotujícího pracovního příslušenství a mohou způsobit ztrátu kontroly nad nářadím nebo jeho zpětný ráz.**
- e) **Nepoužívejte s touto brusnou kotouče s řetězem pro řezání dřeva nebo ozubené pilové kotouče. Při použití těchto kotoučů dochází často k zpětným rázům a k ztrátě kontroly nad nářadím.**

Doplňkové bezpečnostní pokyny

- Toto nářadí nesmí používat osoby mladší 16 let.

- **Uživatel nebo obsluha tohoto nářadí musí být seznámena s obsahem tohoto návodu k použití.**
- **Před drážkováním v nosných stěnách proveďte konzultaci s odpovědným stavebním inženýrem, architektem nebo stavebním dozorem.**
- **Používejte toto elektrické nářadí pouze s nainstalovaným ochranným krytem. Ochranný kryt musí být bezpečně upevněn na nářadí a musí být nastaven tak, aby zaručoval nejlepší možnou bezpečnostní ochranu, což znamená, že část řezného kotouče směřující k obsluze musí být pokud možno co nejvíce zakryta. Tento kryt musí chránit obsluhu nářadí před úlomky a náhodným kontaktem s řezným kotoučem.**
- **Používejte pouze diamantové řezné kotouče. Možnost instalace zařízení na toto elektrické nářadí nezaručuje jeho bezpečné použití.**
- **Používejte diamantové řezné kotouče pouze pro úkony, pro jaké jsou určeny. Například, nikdy neprovádějte broušení boční plochou řezného kotouče. Řezné kotouče jsou určeny pro odstraňování materiálu obvodovou hranou těchto kotoučů. Působení bočního tlaku může způsobit prasknutí kotoučů tohoto typu.**
- **Vždy používejte nepoškozené upínací příruby takové velikosti, které odpovídají řeznému kotouči. Správné příruby podírají řezný kotouč a snižují riziko jeho prasknutí.**
- **Zabezpečte pracovní plochu také za otvory a výřezy. Nezabezpečené pracovní plochy mohou ohrožovat vás i ostatní osoby.**
- **Dávejte pozor na nekryté i skryté elektrické kabely, a také na vodovodní a plynové potrubí. Používejte vhodné detektory pro nalezení skrytých potrubí a/nebo kabelů, nebo požádejte o pomoc místní rozvodnou společnost. Kontakt s elektrickými kabely může způsobit požár a úraz elektrickým proudem. Poškození plynového potrubí může způsobit výbuch. Průnik do vodovodního potrubí způsobí hmotné škody nebo může vést k způsobení úraze elektrickým proudem.**
- **Elektrické nářadí se může během provozu kdykoli dostat do kontaktu se skrytými elektrickými vodiči nebo s vlastním napájecím kabelem, a proto držte toto nářadí pouze za izolované rukojeti. Dostane-**

li náradí se do kontaktu se živými vodiči pod napětím, všechny kovové části tohoto elektrického náradí budou také živé, což může uživateli způsobit úraz elektrickým proudem.

- **Vyvarujte se situací, kdy mohou ostatní osoby klopýtnout nebo zakopnout.** Zakopnutí o kabely může způsobit vážná zranění.
- **Upněte si obrobek.** Obrobek bezpečně zajištěný v upínacím zařízení nebo svěráku je bezpečnější, než je obrobek držení v ruce.
- **Zabraňte hromadění prachu na pracovišti.** Prach se může snadno vznítit.
- **Zajistěte odpovídající větrání v uzavřených místnostech.** Riziko v důsledku výskytu prachu a zhoršeného vidění.
- **Prach z materiálů, jako jsou nátěry obsahující olovo, několik druhů dřeva, minerálů a kovů, může být zdraví škodlivý a může vyvolat alergické reakce, respirační onemocnění a/nebo rakovinu.** Materiály obsahující azbest mohou být obráběny pouze specialisty.
 - Kdykoli je to možné, používejte průmyslové typy vysavačů, které jsou vhodné pro materiály, s jakými pracujete.
 - Zajistěte řádné odvětrání pracovního prostoru.
 - Dodržujte příslušné předpisy platné ve vaší zemi týkající se materiálů, s jakými budete pracovat.
- **Udržujte napájecí kabel v bezpečné vzdálenosti od rotujících pracovních nástrojů.** Ztráta kontroly nad elektrickým náradím může vést k přeřezání nebo zachycení napájecího kabelu, a také může dojít k zachycení ruky nebo celé paže rotujícím pracovním nástrojem.
- **Nepřenášejte toto elektrické náradí, je-li v chodu.** Náhodný kontakt rotujícího pracovního nástroje s oděvem může způsobit jeho zachycení a vniknutí pracovního nástroje do těla obsluhy.
- **Nezahajujte práci dřívě, než elektrické náradí dosáhne svých maximálních otáček.**
- **Nevyvíjejte boční tlak na diamantové kotouče pro suché řezání.**
- **Nikdy nepoužívejte diamantové kotouče pro suché řezání na hrubé broušení.**

Elektrická bezpečnost

Používáte-li elektrická zařízení, vždy dodržujte platné bezpečnostní předpisy, aby bylo omezeno riziko způsobení požáru, úrazu elektrickým proudem nebo zranění osob. Přečtěte si následující bezpečnostní pokyny i přiložené bezpečnostní pokyny.



Vždy zkontrolujte, zda napájecí napětí sítě odpovídá napájecímu napětí na štítku náradí.



Náradí třídy II - Dvojitá izolace - Není nutné použití uzemňovacího vodiče.

Musíte-li používat toto elektrické náradí ve vlhkém prostředí, používejte v elektrickém obvodu proudový chránič (RCD). Použití proudového chrániče (RCD) snižuje riziko úrazu elektrickým proudem.

2. INFORMACE O NÁRADÍ

Určené použití

Toto elektrické náradí je určeno pro suché řezání ve zdivu (cihly, tvárnice a bloky, nepracované kameny) a betonu. Toto nesmí být použito pro mokré řezání nebo pro řezání kovu, skla, dřeva atd.

Technické údaje

Číslo modelu náradí	WCM1001P
Číslo modelu řezného kotouče	WCA1001
Napájecí napětí	230 V~
Frekvence	50 Hz
Příkon	2400W
Otáčky naprázdno	8000 /min
Šířka kotouče	150mm
Průměr upínacího otvoru	22,2mm
Maximální hloubka řezu	43mm
Šířka sečení	30mm
Hmotnost	6,2 kg
Akustický tlak (LPA)	97 + 3 dB(A)
Akustický výkon (LWA)	108 + 3 dB(A)
Vibrace ah	10,94 + 1,5 m/s ²

Úroveň vibrací

Úroveň vibrací uvedená na zadní straně tohoto manuálu s pokyny byla měřena v souladu se standardizovaným testem podle EN 60335; je možné ji použít ke srovnání jednoho přístroje

druhým a jako předběžné posouzení vystavování se vibracím při používání přístroje k uvedeným aplikacím.

- používání přístroje k jiným aplikacím nebo s jiným či špatně udržovaným příslušenstvím může zásadně zvýšit úroveň vystavení se vibracím.
- doba, kdy je přístroj vypnutý nebo kdy běží, ale ve skutečnosti není využíván, může zásadně snížit úroveň vystavení se vibracím.

Chraňte se před následky vibrací tak, že budete dbát na údržbu přístroje a příslušenství, budete si udržovat teplé ruce a uspořádáte si své pracovní postupy.

Popis

Čísla v následujícím textu odkazují na obrázky na stranách 2-3.

1. Spínač zapnuto/vypnuto
2. Odjišťovací spínač
3. Zadní rukojeť
4. Zadní kladka
5. Kryt uhlíku
6. Upínací šroub kotouče
7. Vnější příruba
8. Diamantový kotouč
9. Přední kladka
10. Přední rukojeť
11. Páčka nastavení hloubky řezu
12. Port pro odsávání prachu
13. Měřítka nastavení hloubky řezu
14. Hadice odsávání

3. KOMPLETACE



Před sestavením nářadí vždy vypněte a odpojte zástrčku napájecího kabelu od síťové zásuvky.

Montáž a výměna kotouče

Obr. A, C, D



Poškozený nebo opotřebovaný kotouč musí být okamžitě vyměněn.



Používejte pouze kotouče, jejichž maximální povolené otáčky jsou vyšší nebo shodné s maximálními otáčkami naprázdno u tohoto nářadí.

Tato drážkovací fréza je určena pro práci se speciálními kotouči typu 3 v 1. Používejte pouze kotouče, které jsou schváleny výrobcem.

1. Zajištěte vnější přírubu (7) pomocí dodaného velkého klíče.
2. Vyšroubujte šroub (6) pomocí dodaného malého klíče.
Poznámka: Tento šroub je opatřen levým závitem.
3. Sejměte vnější přírubu (7).
4. Nasadte kotouč (8) na hřídel. Ujistěte se, zda se směr šipky na krytu nářadí shoduje se směrem šipky na kotouči (8).
Poznámka: Hřídel nevyčnívá z otvoru v kotouči (8).
5. Vložte vnější přírubu (7) do otvoru v kotouči. Otáčejte vnější přírubou (7) a současně ji tlačte směrem dolů, dokud nebude zcela utažena.
6. Utáhněte šroub (6).
7. Pro zajištění vnější přírubby (7) použijte velký klíč. Nyní utáhněte šroub (6) pomocí dodaného malého klíče.

Chcete-li kotouč sejmut, proveďte stejný postup jako při montáži, ale v obráceném pořadí.

Odsávání prachu

Obr. A, F



Zajistěte dobré větrání na pracovišti.



Nosit respirátor.

Prach z určitých materiálů, jako jsou mikroskopické částice prachu, mohou ohrožovat vaše zdraví. Vdechování takového prachu může způsobit alergické reakce a/nebo respirační onemocnění uživatele nebo osob v blízkém okolí. Proto musí být použit takový odsávací systém, který je vhodný pro řezaný materiál. Postupujte následovně:



Zařízení pro odsávání prachu musí být vhodné pro řezaný materiál.



Provádíte-li odsávání prachu, který je zdravotně velmi škodlivý nebo který je karcinogenní, použijte speciální odsávání prachu.

Hadice vysavače (14) může být připojena k otvoru pro odvod prachu (12). Před zahájením práce nejdříve zapněte systém pro odsávání prachu, například průmyslový vysavač, a potom zapněte tuto drážkovací frézu. Po dokončení práce postupujte obráceně – nejdříve vypněte drážkovací frézu a potom vysavač.



Zabraňte hromadění prachu na pracovišti. Prach se může snadno vznítit.

Systém pro odsávání prachu může být zablokován prachem, pilinami nebo fragmenty obroku. A proto musí být pravidelně čistěn. Postupujte následovně:

1. Odpojte zástrčku napájecího kabelu od síťové zásuvky.
2. Počkejte, dokud se kotouč (8) zcela nezastaví.
3. Je-li to nutné, odstraňte všechny překážky.

4. OPERATION

Nastavení hloubky řez

Obr. B, E



Před zahájením práce nastavte s vypnutým nářadím hloubku drážkování.

1. Povolte páčku (11) jejím přesunutím směrem dozadu.
2. Nastavte požadovanou hloubku řezu tak, jak je to zobrazeno na obr. E. Tato hloubka může být odečítána na měřítku (13).
3. Utáhněte páčku (11) jejím přesunutím směrem dopředu.

Zapínání a vypínání

Obr. A

- Během zapínání stroje mějte zmáčknuté pojistné tlačítko (2) a současně zatlačte vypínač (1).
- Přístroj vypněte uvolněním vypínače (1).

Provádění řezu

Obr. A, G



Tato drážkovací fréza je určena pouze pro přímé řезy. Provádění obloukových nebo kruhových řезů není povoleno.



Toto nářadí je určeno pouze pro suché řezání.



Vždy držte toto nářadí oběma rukama za izolované rukojeti.

1. Nakreslete si čáry, které budou určovat směr, jakým budou vedeny kotouče.
2. Připojte k otvoru pro odvod prachu odsávací zařízení.
3. Nastavte hloubku řezu.
4. Umístěte zadní kladku (4) na povrch stěny. Všimněte si, že kotouče by se ještě neměly dotýkat povrchu stěny.
5. Zapněte drážkovací frézu a počkejte, dokud kotouče nedosáhnou maximálních provozních otáček.
6. Postupně spouštějte tuto frézu dolů tak, aby kotouče vnikly do povrchu stěny.
7. Jakmile se přední kladka (9) opře o povrch stěny, pokračujte v řezu a vedte frézu dopředu směrem od sebe (ve směru opačném vzhledem k otáčení řezných kotoučů).
8. Pomalu vedte nářadí podél nakreslených čar a pevně přitlačujte kladky na stěnu.
Poznámka: Nevyvíjejte na toto nářadí příliš velký tlak. Nechejte nářadí pracovat jeho vlastním tempem. Vyvíjení nadměrného tlaku může způsobit přehřátí motoru a poškození řezných kotoučů.
9. Při ukončení řezu vypněte toto nářadí a počkejte, dokud se kotouče zcela nezastaví. Potom vyjměte kotouče z vytvořené drážky a odložte nářadí.



Po vypnutí této drážkovací frézy se nepokoušejte řezné kotouče zastavit silou a nepřitlačujte je k řezanému materiálu.



Během práce se řezné kotouče zahřívají na vysokou teplotu – nedotýkejte se jich nechráněnými částmi vašeho těla dřívě, než dojde k jejich vychladnutí.

Poznámka: Při řezání velmi tvrdých materiálů se mohou řezné kotouče přehřívat a následně poškodit. Nadměrné jiskření kolem řezných kotoučů upozorňuje na jejich přehřívání. Jakmile se takové jiskření objeví, přerušete řezání a nechejte je vychladnout chodem nářadí v maximálních otáčkách bez zatížení po dobu 3

až 5 minut. Menší účinnost řezání a neustálé nadměrné jiskření kolem řezných kotoučů může indikovat tupé řezné kotouče.

5. ÚDRŽBA



Před čištěním a prováděním údržby nářadí vždy vypněte a odpojte zástrčku napájecího kabelu od síťové zásuvky.

Pravidelně čistěte kryt nářadí měkkým hadříkem, pokud možno po každém použití. Ujistěte se, zda nejsou větrací otvory zaneseny prachem nebo jinými nečistotami. Odolnější nečistoty odstraňte pomocí měkkého hadříku navlhčeného v mýdlové pěně. Nepoužívejte žádná rozpouštědla, jako jsou benzín, lih, čpavek atd. Takové chemické látky mohou způsobit poškození dílů z umělé hmoty.

OCHRANA ŽIVOTNÍHO PROSTŘEDÍ



Poškozená a likvidovaná elektrická nebo elektronická zařízení musí být odevzdána ve sběrných dvorech, které jsou určeny pro tento účel.

Pouze pro země EU

Nevyhazujte elektrická nářadí do běžného domácího odpadu. Podle evropské směrnice 2012/19/EC týkající se likvidace elektrických a elektronických zařízení a její implementace do vnitrostátního práva, musí být nepoužívaná elektrická nářadí shromažďována odděleně a jejich likvidace musí být provedena tak, aby nedošlo k ohrožení životního prostředí.

ZÁRUKA

Výrobky FERM jsou vyrobeny podle norem pro nejvyšší kvalitu a je zaručeno, že se u nich po zákonem stanovenou dobu počínaje datem původního zakoupení nevyskytnou závady z důvodu vady materiálu nebo špatného dílenského zpracování. Objeví-li se u tohoto výrobku během tohoto období jakákoli závada v důsledku vady materiálu nebo špatného dílenského zpracování, kontaktujte přímo vašeho prodejce FERM.

Platnost této záruka je zrušena v následujících případech:

- Došlo-li k opravám nebo úpravám tohoto výrobku v neautorizovaných servisech.
- Došlo-li k normálnímu opotřebování výrobku.
- Bylo-li s výrobkem špatně, nesprávně nebo nevhodně zacházeno.
- Došlo-li k použití neoriginálních náhradních dílů.

Tak je stanovena výhradní záruka vytvořená společností, ať už vyjádřená nebo předpokládaná. Neexistují žádné jiné záruky, ať už vyjádřené nebo předpokládané, které přesahují rámec zde uvedené záruky, včetně předpokládaných záruk obchodovatelnosti a vhodnosti pro konkrétní účel. V žádném případě nebude společnost FERM odpovídat za jakékoli náhodné nebo následné škody. Opravné prostředky prodejců budou omezeny na opravu nebo výměnu nevyhovujících jednotek nebo dílů.

Na tomto výrobku a v tomto návodu mohou být prováděny změny. Technické údaje mohou být změněny bez předchozího upozornění.

Fréza na steny 2400W WCM1001P

Dakujeme vám, že ste si zakúpili produkt značky Ferm. Získali ste tým špičkový produkt od jedného z popredných európskych dodávateľov. Všetky produkty, ktoré vám boli dodané spoločnosťou Ferm sa vyrábajú podľa najvyšších štandardov výkonu a bezpečnosti. V rámci našej podnikovej filozofie poskytujeme aj špičkové zákaznícke služby v kombinácii s komplexnou zárukou. Dúfame, že náš produkt vám bude dobre slúžiť ešte mnoho rokov.

1. BEZPEČNOSTNÉ POKYNY



Prečítajte si priložené bezpečnostné varovania, doplnkové bezpečnostné varovania a pokyny. Nedodržanie

bezpečnostných varovaní a pokynov môže mať za následok zásah elektrickým prúdom, vznik požiaru a/alebo vážnu ujmu na zdraví. **Všetky bezpečnostné varovania a pokyny si odložte na budúce použitie.**

V používateľskej príručke alebo priamo na produkte nájdete nasledujúce symboly:



Prečítajte si používateľskú príručku.



Vypovedá o riziku ujmy na zdraví, usmrtenia a poškodenia náradia v prípade nedodržania pokynov v tejto príručke.



Riziko zásahu elektrickým prúdom.



V prípade poškodenia napájacieho kábla okamžite odpojte napájací kábel od elektrickej siete. To isté platí v prípade čistenia a údržby.



Riziko odletujúcich objektov. Zabezpečte, aby sa v pracovnej oblasti nenachádzali okoloidúci.



Vždy majte nasadenú ochranu zraku!



Majte nasadenú ochranu sluchu.



Nasaďte si ochrannú masku proti prachu.



Majte nasadené ochranné rukavice.



Nepoužívajte v daždi.



Zariadenie triedy II - dvojitá izolácia - nevyžaduje si uzemnenú zástrčku.



Produkt nelikvidujte v nevhodných kontajneroch.



Produkt je v súlade s platnými bezpečnostnými štandardmi obsiahnutými v európskych smerniciach.

Bezpečnostné varovania typické pre brúsenie a abrazívne rezanie:

- Toto elektrické náradie má slúžiť ako brúska. Preštudujte si všetky bezpečnostné varovania, pokyny, obrázky a špecifikácie dodávané s týmto elektrickým náradím.** Nedodržanie všetkých pokynov môže mať za následok zásah elektrickým prúdom, vznik požiaru a/alebo vážnu ujmu na zdraví.
- Činnosti ako šmirgľovanie, brúsenie drôtenou kefou a leštenie sa nemajú vykonávať týmto elektrickým náradím.** Činnosti, na ktorých realizáciu toto elektrické náradie nie je určené, môžu byť nebezpečné a spôsobiť ublíženie na zdraví.
- Nepoužívajte príslušenstvo, ktoré nebolo špecificky navrhnuté alebo odporúčené výrobcom náradia.** Samotná skutočnosť, že sa príslušenstvo dá upevniť na vaše elektrické náradie, ešte nie je zárukou jeho bezpečnej prevádzky.
- Nominálne otáčky príslušenstva sa musia minimálne rovnať maximálnym otáčkam uvedeným na elektrickom náradí.** Príslušenstvo prevádzkované nad hranicou nominálnych otáčok sa môže odlomiť a rozletieť sa.
- Vonkajší priemer a hrúbka príslušenstva musí spĺňať nominálnu kapacitu elektrického**

náradia. Príslušenstvo nesprávnej veľkosti sa nedá riadne chrániť krytmi a ovládať.

- f) **Pri montovaní príslušenstva so závitom musí byť zaručená zhoda s rozmerom závitov na vretene brúsky. V prípade príslušenstva upevňovaného pomocou prírub musí besiedkový otvor príslušenstva zodpovedať lokačnému priemeru príruby. Príslušenstvo, ktoré nedosahuje zhodu s montážnym hardvérom elektrického náradia, bude pracovať nevyvážené, bude nadmerne vibrovať a môže spôsobiť stratu kontroly.**
- g) **Nepoužívajte poškodené príslušenstvo. Pred každým použitím príslušenstvo ako abrazívne kolieska skontrolujte z hľadiska prítomnosti prasklín a odrenín, podkladovú podložku z hľadiska prítomnosti prasklín, trhlin alebo nadmerného opotrebenia a drôtenú kefu z hľadiska prítomnosti uvoľnených alebo prasknutých drôtov. Ak elektrické náradie alebo príslušenstvo spadne na zem, skontrolujte, či sa nepoškodilo alebo namontujte nepoškodené príslušenstvo. Po kontrole a namontovaní príslušenstva sa spolu s okolostojacimi osobami postavte mimo roviny rotujúceho príslušenstva a nechajte elektrické náradie jednu minútu pracovať pri maximálnej rýchlosti bez záťaže. Poškodené príslušenstvo sa za normálnych okolností v tomto časovom intervale rozpadne.**
- h) **Používajte prostriedky osobnej ochrany. V závislosti od účelu použitia si nasadzte tvárový štít, ochranné okuliare alebo ochranné rukavice. Podľa potreby si nasadzte protiprachovú masku, ochranu sluchu, rukavice a pracovnú zásteru schopnú zastaviť drobné abrazívne úlomky odletujúce z obrobku. Ochrana zraku musí byť schopná zastaviť odletujúce úlomky vznikajúce pri rôznych operáciách. Protiprachová maska alebo respirátor musia byť schopné odfiltrovať častice generované vašou prevádzkou. Dlhodobé vystavenie hluku vysokej intenzity môže spôsobiť poškodenie sluchu.**
- i) **Zabezpečte, aby sa v pracovnej oblasti nenachádzali okoloidúci. Každá osoba vstupujúca do pracovnej oblasti musí mať nasadené prostriedky osobnej ochrany. Fragmenty z obrobku alebo odlomené príslušenstvo môže odletieť a spôsobiť zranenie**

- aj mimo bezprostrednej oblasti prevádzky.
- j) **Pri úkonoch, kedy rezné príslušenstvo môže prísť do kontaktu so skrytou kabelážou alebo vlastným napájacím káblom, elektrické náradie držte len za izolované úchopné povrchy. Rezné príslušenstvo v kontakte s káblom pod napätím môže spôsobiť, že odhalené kovové časti elektrického náradia budú taktiež pod napätím, v dôsledku čoho by mohlo dôjsť k zásahu obsluhy elektrickým prúdom.**
- k) **Kábel umiestnite do bezpečnej vzdialenosti od rotujúceho príslušenstva. Ak stratíte kontrolu, môže dôjsť k prerezaniu alebo zachyteniu kábla, pričom môže dôjsť k vtiahnutiu vašej ruky do rotujúceho príslušenstva.**
- l) **Elektrické náradie nikdy nepoložte, kým sa príslušenstvo úplne nezastaví. Rotujúce príslušenstvo by sa mohlo zachytiť o podklad a náradie sa vám môže vymknúť spod kontroly.**
- m) **Elektrické náradie neprevádzkujte, keď ho prenášate popri tele. Neúmyselný kontakt s rotujúcim príslušenstvom môže zachytiť váš odev a vtiahnuť príslušenstvo do vášho tela.**
- n) **Vzduchové prieduchy elektrického náradia pravidelne čistite. Ventilátor motora bude nasávať prach do vnútra zapuzdrenia, pričom nadmerné usadenie prachu kovového pôvodu môže vyvolať riziko zásahu elektrickým prúdom.**
- o) **Elektrické náradie neprevádzkujte v blízkosti horľavín. Iskry by mohli spôsobiť vznietenie týchto látok.**
- p) **Nepoužívajte príslušenstvo, ktoré si vyžaduje tekuté chladivá. Použitie vody alebo iných tekutých chladív môže spôsobiť zásah elektrickým prúdom.**

Spätný ráz a sprievodné varovania

Spätný ráz je prudká reakcia na zaseknutie alebo zablokovanie rotačného disku, podkladovej podložky, kefy alebo iného príslušenstva. Zaseknutie alebo zachytenie spôsobí prudké zastavenie rotačného príslušenstva, ktoré následne vyvolá prudké vymrštenie elektrického náradia v smere opačnom k smeru otáčania príslušenstva v bode ukotvenia. Ak sa napríklad abrazívny disk zachytí alebo zasekne v obrobku, okraj disku, ktorý vstupuje do materiálu môže zahrabnúť do povrchu materiálu v dôsledku čoho disk vylezie von alebo prudko vyskočí von. Disk môže vyskočiť buď v smere k obsluhu, alebo od obsluhu v závislosti od smeru pohybu disku v okamihu zachytenia.

Abrazívne disky sa za týchto okolností tiež môžu zlomiť. Spätňý ráz je výsledkom nenáležitého použitia elektrického náradia alebo nesprávneho postupu či podmienky obsluhy a je možné mu predísť dodržiavaním nižšie uvedených preventívnych opatrení.

- a) **Elektrické náradie držte pevne a telo a rameno držte v takej polohe, aby ste dokázali odolať spätnému rázu. Vždy používajte pomocnú rukoväť (ak je vo výbave) v záujme maximálnej kontroly nad spätým rázom alebo reakciou na točivý moment vo fáze rozbehu.** *Ak sa uplatnia náležité preventívne opatrenia, obsluha dokáže kontrolovať reakcie na točivý moment a spätý ráz.*
- b) **Nikdy neumiestňujte ruku do blízkosti rotujúceho príslušenstva.** *Môže dôjsť k spätému rázu príslušenstva cez vašu ruku.*
- c) **Žiadnu časť tela neumiestňujte do oblasti, kam sa predpokladá pohyb elektrického náradia v prípade spätého rázu.** *Spätý ráz vymrští náradie v smere opačnom k smeru pohybu disku v bode zachytenia.*
- d) **Pri práci v rohoch, na ostrých hranách atď. buďte veľmi opatrný. Predchádzajte nadskakovaniu a zachytávaniu príslušenstva.** *Rohy, ostré okraje alebo nadskakovanie majú tendenciu zachytiť rotujúce príslušenstvo a spôsobiť stratu kontroly alebo spätý ráz.*
- e) **Nenasadzujte čepel reťazovej píly na rezanie do dreva ani ozubenú čepel píly.** *Tieto čepele spôsobujú často spätý ráz a stratu kontroly.*

Ďalšie zásady bezpečnosti

- **Zariadenie nesmú používať osoby mladšie ako 16 rokov.**
- **Používateľ alebo pracovník sa musí oboznámiť s obsahom tohto návodu na použitie.**
- **Pred frézovaním do nosných stien sa poraďte so zodpovedným stavebným inžinierom, architektom alebo stavebným dozom.**
- **Elektrické náradie používajte len vtedy, keď je namontovaný ochranný kryt. Ochranný kryt musí byť bezpečne pripevnený k elektrickému náradia a nastavený tak, aby bola zaručená najlepšia možná**

úroveň bezpečnosti, čo znamená, že časť rezného kotúča otočená smerom k pracovníkovi musí byť v čo najväčšej možnej miere tienená. Ochranný kryt musí chrániť pracovníka pred úlomkami a náhodným kontaktom s rezným kotúčom.

- **Používajte iba diamantové rezné kotúče.** *Samotná možnosť montáže zariadenia do elektrického náradia nezaručuje bezpečné používanie.*
- **Diamantové rezné kotúče používajte iba na úlohy, na ktoré sú určené. Napríklad nikdy nefrézujte bočným povrchom rezného kotúča. Rezné kotúče sú navrhnuté tak, aby odstraňovali materiál okrajom kotúča. Pri pôsobení bočnej sily sa kotúč tohto typu môže zlomiť.**
- **Vždy používajte nepoškodené upevňovacie príruby s veľkosťou zodpovedajúcou reznému kotúču.** *Správne príruby podopierajú rezný kotúč a znižujú riziko zlomenia.*
- **Pracovný priestor zaistite aj za otvormi a výrezmi. Nezabezpečené pracovné priestory môžu ohroziť vás a ostatné osoby.**
- **Dávajte pozor na odhalené a skryté elektrické káble, ako aj na vodovodné a plynové potrubia. Používajte vhodné detektory na odhalenie skrytých potrubí a/alebo káblov prípadne požiadajte o radu miestnu rozvodnú spoločnosť. Kontakt s elektrickými káblami môže spôsobiť požiar a úraz elektrickým prúdom. Poškodenie plynového potrubia môže spôsobiť výbuch. Prerazenie vodovodného potrubia spôsobuje poškodenie majetku alebo by mohlo spôsobiť úraz elektrickým prúdom.**
- **Elektrické náradie môže kedykoľvek počas prevádzky naraziť na skryté elektrické káble alebo svoj vlastný napájací kábel, preto náradie držte iba za izolovanú rukoväť. Pri kontakte s vodičmi pod napätím budú všetky kovové časti elektrického náradia tiež pod napätím, čo môže pracovníkovi spôsobiť úraz elektrickým prúdom.**
- **Vyhýbajte sa situáciám, keď by iné osoby mohli zakopnúť alebo potknúť sa. Zakopnutie o káble môže spôsobiť vážne zranenia.**
- **Zaistite obrokok. Obrokok bezpečne zaistený v upínacích zariadeniach alebo zveráku je držaný bezpečnejšie ako keď ho držíte priamo v ruke.**
- **Zabráňte hromadeniu prachu na**

pracovisku. *Prach sa môže ľahko vznietiť.*

- **Zabezpečte dostatočné vetranie v uzavretých miestnostiach.** *Riziko v dôsledku prachu a zhoršeného videnia.*
- **Prach z materiálov, ako sú nátery obsahujúce olovo, niektorých druhov dreva, minerálov a kovov, môže byť zdraviu škodlivý a spôsobiť alergické reakcie, ochorenia dýchacích ciest a/alebo rakovinu.** *Materiál obsahujúci azbest môžu opracovávať iba určení špecialisti.*
 - *Vždy, keď je to možné, používajte priemyselný typ vysávača vhodný pre materiál, na ktorom pracujete.*
 - *Zabezpečte, aby bolo pracovisko riadne vetrané.*
 - *Dodržiavajte príslušné predpisy platné vo vašej krajine pre obrábané materiály.*
- **Napájací kábel držte mimo rotujúcich pracovných náradí.** *Strata kontroly nad elektrickým náradím môže viesť k odrezaniu alebo zachyteniu napájacieho kábla a rotujúce pracovné náradie môže zasiahnuť aj ruku alebo celé rameno.*
- **Elektrické náradie neprenášajte, keď rotuje.** *Náhodný kontakt rotujúceho pracovného náradia s odevom môže spôsobiť jeho zachytenie a vymrštenie pracovného náradia do tela pracovníka.*
- **Nezačínajte pracovať, kým elektrické náradie nedosiahne plnú rýchlosť otáčania.**
- **Nevystavujte diamantové kotúče určené na rezanie za sucha bočnému tlaku.**
- **Nikdy nepoužívajte diamantové kotúče určené na rezanie za sucha na hrubé brúsenie.**

Elektrická bezpečnosť

Pri používaní elektrických zariadení vždy dodržiavajte bezpečnostné nariadenia platné vo vašej krajine, aby sa minimalizovalo riziko požiaru, zásahu elektrickým prúdom a ujmy na zdraví. Prečítajte si nasledujúce bezpečnostné pokyny a tiež priložené bezpečnostné pokyny.



Vždy kontrolujte, či napätie zdroja elektrickej energie zodpovedá napätiu na údajovom štítku zariadenia.



Zariadenie triedy II - dvojité izolácia - nevyžaduje si uzemnenú zástrčku.

Ak sa práci s výkonovým nástrojom vo vlhkých priestoroch nemôžete vyhnúť, používajte napájací zdroj so zariadením na ochranu pred zvyškovým prúdom (RCD). Používanie RCD znižuje riziko zásahu elektrickým prúdom.

2. INFORMÁCIE O ZARIADENÍ

Cieľové použitie

Toto elektrické náradie je určené na rezanie za sucha do muriva (tehly, vápenno-pieskové tvárnice, neopracovaný kameň) a betónu. Nesmie sa používať na rezanie za mokra, ani na rezanie do kovu, skla, dreva atď.

Technické špecifikácie

Modelové č. zariadenia	WCM1001P
Modelové č. rezacieho kotúča	WCA1001
Napätie elektrickej siete	230 V~
Frekvencia elektrickej siete	50 Hz
Napájací vstup	2400W
Otáčky bez záťaže	8000 /min
Priemer kotúča	150mm
Vrtanie kotúča	22,2mm
Max. hĺbka rezu	43mm
Šírka kosenia	30mm
Hmotnosť	6,2 kg
Hladina zvukového výkonu (LPA)	97 + 3 dB(A)
Hladina zvukového výkonu (LWA)	108 + 3 dB(A)
Vibrácie ah	10,94 + 1,5 m/s ²

Hladina vibrácií

Hladina emisií od vibrácií uvedená na zadnej strane tohto návodu na obsluhu bola nameraná v súlade s normalizovaným testom uvedeným v norme EN 60745; môže sa používať na vzájomné porovnanie náradí a na predbežné posúdenie vystavenia účinkom vibrácií pri používaní náradia pre uvedené aplikácie

- používanie náradia na rôzne aplikácie, alebo v spojení s rôznymi alebo nedostatočne udržiavanými doplnkami môže značne zvýšiť úroveň vystavenia
- časové doby počas ktorých je je náradie vypnuté alebo počas ktorých náradie beží ale v skutočnosti nevykonáva prácu môžu značne znížiť úroveň vystavenia

Chráňte sa pred účinkami vibrácií tak, že budete náradie a jeho príslušenstvo správne udržiavať, tak že nebudete pracovať so studenými rukami a tak že si svoje pracovné postupy správne zorganizujete.

Popis

Čísla uvedené v texte sa odvolávajú na diagramy na stranách 2-3.

1. Spínač Zap./Vyp.
2. Odomykací spínač
3. Zadná časť rukoväte
4. Zadný valček
5. Kryt karbónovej kefy
6. Skrutka čepele
7. Vonkajšia príruha
8. Diamantový kotúč
9. Predný valček
10. Predná rukoväť
11. Páka pre nastavenie hĺbky
12. Otvor na odsávanie prachu
13. Stupnica pre nastavenie hĺbky
14. Vysávací hadica

3. ZLOŽENIE



Pred montážou vždy vypnite zariadenie a zástrčku vytiahnite z elektrickej zásuvky.

Montáž a výmena kotúča Obr. A, C, D



Zlomený alebo poškodený kotúč sa musí okamžite vymeniť.



Používajte iba kotúče, ktorých povolená rýchlosť otáčania je vyššia alebo rovnaká ako maximálna rýchlosť bez zaťaženia zariadenia.

Fréza na steny je navrhnutá tak, aby pracovala so špeciálnymi kotúčmi 3 v 1. Používajte len kotúče schválené výrobcom.

1. Vonkajšiu príruhu (7) uchopte pomocou dodávaného veľkého kľúča.
2. Skrutku (6) odstráňte pomocou dodávaného malého kľúča.
Poznámka: skrutka má ľavý závit.
3. Odstráňte vonkajšiu príruhu (7).
4. Kotúč (8) namontujte na vreteno. Zistite, aby šípka na kryte zodpovedala šípke na kotúči (8).
Poznámka: vreteno nevyčnieva z otvoru kotúča (8).
5. Vonkajšiu príruhu (7) dajte do otvoru kotúča. Počas tlačenia na vonkajšiu príruhu (7) ňou

- otáčajte, kým nebude úplne dotiahnutá.
6. Utihnite skrutku (6).
7. Vonkajšiu príruhu (7) uchopte pomocou veľkého kľúča. Skrutku (6) teraz dotiahnite pomocou malého kľúča.

Pri vyberaní kotúča postupujte podľa postupu montáže v opačnom poradí.

Odsávanie prachu

Obr. A, F



Zabezpečte dobré vetranie na pracovisku.



Nasaďte si ochrannú masku proti prachu.

Prach z určitých materiálov, ako sú častice, môže byť zdraviu škodlivý. Dýchanie v tomto prachu môže spôsobiť alergické reakcie a/alebo respiračné choroby používateľovi alebo osobám v blízkosti. Preto sa musí používať odsávací systém vhodný pre daný materiál. Ak to chcete urobiť:



Odsávač prachu musí byť vhodný pre opracovávaný materiál.



Pri vysávaní suchého prachu, ktorý je zvlášť zdraviu škodlivý alebo karcinogénny, použite špeciálny vysávač prachu.

K odsávaciemu otvoru (12) môžete pripojiť hadicu vysávača (14). Pred začiatkom práce najskôr zapnite odsávací systém, napr. priemyselný vysávač, potom zapnite frézu na steny. Po skončení práce postupujte opačne – najskôr vypnite frézu na stenu, potom vysávač.



Zabráňte hromadeniu prachu na pracovisku. Prach sa môže ľahko vznietiť.

Systém odsávania prachu môže byť blokovaný prachom, trieskami alebo úlomkami obrobku. Preto sa musí pravidelne čistiť. Ak to chcete urobiť:

1. Odpojte sieťovú zástrčku od zdroja napájania.
2. Počkajte, kým sa kotúč (8) úplne nezastaví.
3. V prípade potreby odstráňte každé zablokovanie.

4. PREVÁDZKA

Nastavenie frézovacej hĺbky,

Obr. B, E



Pred začatím práce a s vypnutým zariadením nastavte hĺbku frézovania.

1. Povoľte páku (11) jej posunutím dozadu.
2. Nastavte požadovanú hĺbku frézovania tak, ako je to znázornené na obrázku E. Hĺbku je možné odčítať na stupnici (13).
3. Dotiahnite páku (11) jej posunutím dopredu.

Zapnutie a vypnutie

Obr. A

- Pri zapínaní stroja majte stlačené poistné tlačidlo (2) a zároveň stlačte vypínač (1).
- Prístroj vypnite uvoľnením vypínača (1).

Frézovanie

Obr. A, G



Fréza na stenu je určená iba na priame frézovanie. Zakrivené alebo oblé frézovanie nie je dovolené.



Náradie je určené iba na rezy za sucha.



Náradie držte vždy oboma rukami za izolované rukoväte.

1. Nakreslite čiary, aby ste určili smer, ktorým sa majú viesť kotúče.
2. Namontujte vysávač na vývod prachu.
3. Nastavte frézovaciú hĺbku.
4. Umiestnite zadný valček (4) na povrch steny. Kotúč by sa nemal dotýkať povrchu steny.
5. Zapnite frézu na stenu a počkajte, kým kotúče nedosiahnu plnú rýchlosť otáčania.
6. Postupne približujte frézu na stenu a zasúvajte kotúče do povrchu steny.
7. Akonáhle predný valček (9) spočine na povrchu steny, pokračujte vo frézovaní a posúvajte frézu na stenu smerom dopredu a preč od seba (v opačnom smere ako je smer otáčania rezacieho kotúča).
8. Pomaly posúvajte zariadenie pozdĺž predkreslených čiar a pevne tlačte kotúče proti stene.

Poznámka: Na zariadenie nevyvíjajte nadmerný tlak. Nechajte zariadenie, aby urobilo prácu za vás. Pri nadmernom tlaku môže dôjsť k prehriatiu motora a poškodeniu rezacieho kotúča.

9. Ak chcete frézovanie ukončiť, zariadenie vypnite a počkajte, kým sa kotúče úplne nezastavia. Potom vyberte kotúče z frézy a zariadenie položte.



Po vypnutí frézy na stenu netlačte rotujúci kotúč proti spracovávanému materiálu, aby ste ho nasilu zabrzdlili.



Rezné kotúče sa počas práce zahrievajú na vysoké teploty – nedotýkajte sa ich nechránenými časťami tela skôr, ako vychladnú.

Poznámka: Pri frézovaní do veľmi tvrdých materiálov môže dôjsť k prehriatiu rezného kotúča a následnému poškodeniu. Nadmerná tvorba iskier okolo rezného kotúča naznačuje prehriatie. Keď k tomu dôjde, zastavte frézovanie a kotúč nechajte vychladnúť tak, že ho necháte bežať na plné otáčky bez zaťaženia po dobu 3–5 minút. Zníženie účinnosti frézovania a neustála nadmerná tvorba iskier v okolí rezného kotúča môžu naznačovať tupý rezný kotúč.

5. ÚDRŽBA



Pred čistením a údržbou vždy vypnite zariadenie a zástrčku vytiahnite z elektrickej zásuvky.

Puzdro zariadenia vyčistíte jemnou tkaninou, podľa možnosti po každom použití. Uistite sa, že vetracie otvory neobsahujú prach a nečistoty. Odolné nečistoty odstráňte jemnou tkaninou navlhčenou v mydlovej vode. Nepoužívajte rozpúšťadlá ako benzín, alkohol, amoniak a pod. Takéto chemické látky poškodia syntetické komponenty.

ŽIVOTNÉ PROSTREDIE



Chybné alebo vyradené elektrické či elektronické zariadenia musia byť zberané v príslušných recyklačných zberniciach.

Len pre krajiny ES

Elektrické náradie nelikvidujte ako súčasť komunálneho odpadu. Podľa Európskej smernice 2012/19/ES o vyradených elektrických a elektronických zariadeniach a jej implementácie do národného práva sa elektrické náradie, ktoré je viac nepoužiteľné, musí zberať ako separovaný odpad a likvidovať ekologickým spôsobom.

ZÁRUKA

Produkty značky FERM sa vyvíjajú podľa najvyšších noriem kvality a zaručuje sa, že neobsahujú chyby materiálu a vyhotovenia, a to počas obdobia určeného zákonom, ktoré začína dňom originálneho zakúpenia. Ak by sa počas tohto obdobia u produktu vyskytlo akékoľvek zlyhanie, a to z dôvodu chybného materiálu a/alebo vyhotovenia, potom priamo kontaktujte predajcu produktov značky FERM.

Nasledujúce okolnosti sú z tejto záruky vylúčené:

- Vykonalí sa opravy alebo pozmenenia, prípadne sa zaznamenal pokus o opravu alebo pozmenenie zariadenia zo strany neautorizovaných servisných stredísk.
- Normálne opotrebovanie.
- Nástroj sa zneužíval, nesprávne používal alebo sa vykonávala nevhodná údržba.
- Použili sa neoriginálne náhradné diely.

Táto záruka predstavuje výlučnú vyslovenú alebo skrytú záruku uskutočnenú zo strany spoločnosti. Neexistujú žiadne iné vyslovené alebo skryté záruky, ktoré by dopĺňali túto záruku, a to vrátane skrytých záruk obchodovateľnosti a vhodnosti na príslušný účel. Za žiadnych okolností nebude spoločnosť FERM zodpovedná za akékoľvek náhodné alebo následné škody. Opravné prostriedky predajcov budú obmedzené na opravu alebo výmenu nevyhovujúcich zariadení alebo dielov.

Produkt a používateľská príručka podliehajú zmenám. Špecifikácie sa môžu zmeniť bez predchádzajúceho upozornenia.

Штроборез 2400Вт WCM1001P

Благодарим вас за покупку этого продукта FERM. Благодаря этому у вас теперь есть отличный продукт, поставляемый одним из ведущих поставщиков Европы. Вся продукция, поставляемая вам компанией Ferm, изготавливается в соответствии с высочайшими стандартами производительности и безопасности. В рамках нашей философии мы также обеспечиваем отличное обслуживание клиентов, подкрепленное нашей всеобъемлющей гарантией. Мы надеемся, что вы будете получать удовольствие от использования этого продукта долгие годы.

1. ИНСТРУКЦИИ ТЕХНИКИ БЕЗОПАСНОСТИ



Прочтите прилагаемые предупреждения по технике безопасности, дополнительные предупреждения о безопасности и инструкции. Несоблюдение техники безопасности и инструкции могут привести к поражению электрическим током, пожару и / или серьезной травме. **Сохраните предупреждения о безопасности и инструкции для использования в будущем.**

В руководстве пользователя или на изделии используются следующие символы:



Прочтите руководство пользователя.



Обозначает риск получения травмы, смерти или повреждения инструмента в случае несоблюдения инструкций в данном руководстве.



Опасность поражения электрическим током.



Немедленно выньте вилку из розетки, если сетевой кабель поврежден, а также во время чистки и обслуживания.



Опасность полета предметов.



Не подпускайте посторонних к рабочей зоне.



Всегда надевайте защитные очки!



Используйте средства защиты органов слуха.



Наденьте респиратор.



Надевайте защитные перчатки.



Не использовать под дождем.



Машина класса II - Двойная изоляция - Вам не нужна заземленная вилка.



Не выбрасывайте продукт в неподходящую тару.



Продукт соответствует применимым стандартам безопасности европейских директив.

Общие правила техники безопасности при шлифовании или абразивной отрезке:

- а) Прочтите все предупреждения, инструкции, иллюстрации и спецификации, прилагаемые к этому электроинструменту. Неспособность выполнения всех инструкций, перечисленных ниже, может привести к поражению электрическим током, возгоранию и / или серьезной травме.
- б) Такие операции, как шлифовка, чистка проволочной щеткой, полировка, не рекомендуется выполнять с помощью этого электроинструмента. Операции, для которых электроинструмент не был предназначен, могут создать опасность и привести к травмам.
- в) Не используйте аксессуары, которые специально не разработаны и не рекомендованы производителем инструмента. Просто потому, что аксессуар можно прикрепить к вашему электроинструменту, он не гарантирует безопасной работы.
- г) Номинальная скорость насадки должна быть как минимум равна максимальной скорости, указанной на электроинструменте. Аксессуары, работающие со скоростью, превышающей номинальную, могут сломаться и разлететься.
- д) Внешний диаметр и толщина аксессуара должны соответствовать номинальной мощности вашего электроинструмента. Неправильные аксессуары не могут быть должным образом защищены или проконтролированы.
- е) Резбовое крепление принадлежностей должно соответствовать резьбе шпинделя шлифовального станка. Для аксессуаров, устанавливаемых с помощью фланца, посадочное отверстие для аксессуара должно соответствовать установочному диаметру фланца. Аксессуары, которые не соответствуют монтажному оборудованию электроинструмента, будут выходить из равновесия, чрезмерно вибрировать и могут привести к потере контроля.
- ж) Не используйте поврежденный аксессуар. Перед каждым использованием проверяйте принадлежности, такие как абразивные круги на предмет сколов и трещин, опорную подушку на предмет трещин, разрывов или чрезмерного износа, проволочную щетку на предмет ослабления или трещин на проволоке. Если электроинструмент или аксессуар упали, осмотрите его на предмет повреждений или установите неповрежденный аксессуар. После осмотра и установки аксессуара расположите себя и окружающих подальше от плоскости вращающегося аксессуара и запустите электроинструмент на максимальной скорости холостого хода в течение одной минуты. Поврежденные аксессуары обычно ломаются во время этого испытания.
- з) Используйте средства индивидуальной защиты. В зависимости от области применения используйте защитную маску, защитную маску или защитные очки. При необходимости используйте респиратор,

средства защиты органов слуха, перчатки и фартук мастерской, способный задерживать мелкие абразивные частицы или фрагменты деталей. Защита глаз должны быть способна останавливать летающие обломки, образующиеся при различных операциях. Пылезащитная маска или респиратор должны улавливать частицы, образующиеся в результате вашей работы. Продолжительное воздействие шума высокой интенсивности может вызвать потерю слуха.

- и) **Держите посторонних на безопасном расстоянии от рабочей зоны. Каждый входящий в рабочую зону должен носить средства индивидуальной защиты.** Фрагменты заготовки или сломанного приспособления могут разлететься и причинить травму за пределами непосредственной зоны действия.
- к) **Держите электроинструмент только за изолированные поверхности для захвата при выполнении операций, при которых режущий инструмент может задеть скрытую проводку или собственный шнур.** Прикосновение режущего инструмента к “токоведущему” проводу может сделать открытые металлические части электроинструмента “под напряжением” и стать причиной поражения оператора электрическим током.
- л) **Расположите шнур подальше от вращающейся насадки.** Если вы потеряете контроль, шнур может быть порезанным или зацепленным, и ваша кисть или рука могут попасть в вращающийся аксессуар.
- м) **Никогда не кладите электроинструмент до полной остановки насадки.** Вращающийся аксессуар может захватить поверхность и вывести электроинструмент из-под вашего контроля.
- н) **Не включайте электроинструмент, неся его на боку.** Случайный контакт с вращающимся аксессуаром может зацепиться за одежду и втянуть аксессуар в ваше тело.
- о) **Регулярно очищайте вентиляционные отверстия электроинструмента.** Вентилятор двигателя втягивает пыль внутрь корпуса, и чрезмерное скопление металлического порошка может вызвать опасность поражения электрическим током.

- п) **Не работайте с электроинструментом вблизи легковоспламеняющихся материалов.** Искры могут воспламенить эти материалы.
- р) **Не используйте аксессуары, требующие жидкого хладагента.** Использование воды или других жидких охлаждающих жидкостей может привести к поражению электрическим током или удару током.

Отдача и соответствующие указания по технике безопасности

Отдача - это внезапная реакция на зажатое или зацепившееся вращающееся колесо, подкладку, щетку или любой другой аксессуар. Защемление или зацепление вызывает быструю остановку вращающегося приспособления, что, в свою очередь, приводит к тому, что неконтролируемый электроинструмент перемещается в направлении, противоположном вращению приспособления в точке привязки. Например, если абразивный круг зацеплен или зажат заготовкой, край круга, входящий в точку зажима, может вонзиться в поверхность материала, заставляя колесо вылезать или выбрасываться. Колесо может либо подпрыгнуть к оператору, либо отскочить от него, в зависимости от направления движения колеса в точке зажима. Абразивные круги также могут сломаться в этих условиях. Отдача является результатом неправильного использования электроинструмента и / или неправильных рабочих процедур или условий, и ее можно избежать, приняв надлежащие меры предосторожности, как указано ниже.

- а) **Крепко держите электроинструмент и расположите свое тело и руку так, чтобы они могли противостоять силе отдачи.** Всегда используйте дополнительную рукоятку, если таковая имеется, для максимального контроля над отдачей или реакцией крутящего момента во время запуска. Оператор может управлять крутящим моментом или силой отдачи, если приняты надлежащие меры.
- б) **Ни в коем случае не подносите руку к вращающемуся аксессуару.** Аксессуар может отскочить от вашей руки.
- в) **Не располагайтесь в зоне движения**

электроинструмента в случае отдачи.

При отдаче инструмент будет перемещаться в направлении, противоположном движению колеса в точке заедания.

- г) **Соблюдайте особую осторожность при работе с углами, острыми краями и т. д. Избегайте подпрыгивания и зацепления аксессуара.** Углы, острые кромки имеют тенденцию препятствовать вращающимся аксессуарам и могут стать причиной потери управления или “откату”.
- д) **Не прикрепляйте пилу для резьбы по дереву или зубчатую пилу.** Такие лезвия создают частую отдачу и потерю контроля.

Дополнительные предупреждения о безопасности

- Лица младше 16 лет не могут пользоваться машиной.
- Пользователь или оператор должны быть знакомы с содержанием данного руководства.
- Перед тем, как пробивать несущие стены, проконсультируйтесь с ответственным инженером-строителем, архитектором или руководителем участка.
- Используйте электроинструмент только с установленным защитным кожухом. Защитный кожух должен быть надежно закреплен на электроинструменте и отрегулирован для обеспечения максимально возможного уровня безопасности. Это означает, что часть отрезного диска, обращенная к оператору, должна быть максимально защищена. Защитный кожух должен защищать оператора от осколков и случайного контакта с отрезным диском.
- Используйте только алмазные отрезные диски. Возможность установки оборудования в электроинструмент сама по себе не гарантирует безопасного использования.
- Используйте алмазные отрезные диски только для тех задач, для которых они предназначены. Например, никогда не шлифуйте боковой поверхностью отрезного диска. Отрезные диски предназначены для удаления материала кромкой диска. Приложение боковой силы может сломать диск этого типа.
- Всегда используйте неповрежденные крепежные фланцы, размер которых соответствует отрезному диску. Правильный фланец поддерживают отрезной диск и снижают риск поломки.
- Закрепите рабочую зону, в том числе за отверстиями и вырезами. Незащищенные рабочие места могут подвергать опасности вас и других людей.
- Остерегайтесь открытых и скрытых электрических кабелей, а также водопроводных и газовых труб. Используйте подходящие детекторы, чтобы найти скрытые инженерные трубы и / или кабели, или обратитесь за советом в местную коммунальную службу. Контакт с электрическими кабелями может вызвать возгорание и поражение электрическим током. Повреждение газовой трубы может вызвать взрыв. Попадание в водопроводную трубу может привести к повреждению имущества или поражению электрическим током.
- Если во время работы электроинструмент может задеть скрытые электрические провода или собственный шнур питания, держите его только за изолированную ручку. При контакте с проводами под напряжением все металлические части электроинструмента тоже находятся под напряжением, это может вызвать поражение оператора электрическим током.
- Не создавайте ситуаций, когда другие люди могут споткнуться или запнуться. Спотыкание о кабели могут стать причиной серьезных травм.
- Закрепите заготовку. Заготовка удерживается в зажимных приспособлениях или тисках надежнее, чем в руке.
- Избегайте скопления пыли на рабочем месте. Пыль легко воспламеняется.
- Обеспечьте соответствующую вентиляцию закрытых помещений. Риск из-за пыли и нарушения зрения.
- Пыль от таких материалов, как покрытия, содержащие свинец, некоторые виды древесины, минералы и металлы, может быть вредной для здоровья и вызывать аллергические реакции, респираторные заболевания и / или рак.

Обработка асбестосодержащих материалов разрешается только специалистам.

- По возможности используйте пылесос промышленного типа, подходящий для материала, с которым вы работаете
- Убедитесь, что рабочее место хорошо проветривается.
- Соблюдайте соответствующие правила вашей страны в отношении обрабатываемых материалов.
- **Держите шнур питания вдали от вращающихся рабочих инструментов.** Потеря контроля над управлением инструмента может привести к резке или зацепке шнура питания, а также кисть или вся рука могут попасть во вращающийся рабочий инструмент.
- **Не переносите электроинструмент, когда он вращается.** Случайное соприкосновение вращающегося рабочего инструмента с одеждой может привести к его захвату и попаданию рабочего инструмента в тело оператора.
- **Не начинайте работу, пока электроинструмент не достигнет полной скорости вращения.**
- **Не подвергайте алмазные диски для сухой резки боковому давлению.**
- **Никогда не используйте алмазные диски для сухой резки для грубого шлифования.**

Электрическая безопасность

При использовании электрических машин всегда соблюдайте правила техники безопасности, действующие в вашей стране, чтобы снизить риск возгорания, поражения электрическим током и травм. Прочтите следующие инструкции по технике безопасности, а также прилагаемые инструкции по безопасности.



Всегда проверяйте чтобы напряжение источника питания соответствовало напряжению, указанному на табличке с техническими данными.



Машина класса II - Двойная изоляция - Вам не нужна заземленная вилка.

Если использование электроинструмента во влажной среде неизбежно, используйте

источник питания, защищенный устройством защитного отключения (УЗО). Использование УЗО снижает риск поражения электрическим током.

2. ИНФОРМАЦИЯ ОБ МАШИНЕ

Использование по назначению

Этот электроинструмент предназначен для сухой резки кирпичной кладки (кирпича, известково-песчаных блоков, необработанного камня) и бетона. Его нельзя использовать для мокрой резки или резки металла, стекла, дерева и т. Д.

Технические характеристики

Модель №. машины	WCM1001P
Модель №. отрезной диска	WCA1001
Напряжение сети	230 В ~
Частота сети	50 Гц
Входная мощность	2400 Вт
Скорость холостого хода	8.000 / мин
Диаметр диска	150 мм
Отверстие диска	22,2 мм
Максим. глубина резания	43мм
Ширина реза	30мм
Вес	6,2 кг
Звуковое давление (LPA)	97 + 3 дБ (А)
Акустическая мощность (LWA)	108 + 3 дБ (А)
Вибрация ax	10,94 + 1,5 м / с ²

Уровень вибрации

Уровень вибрации, указанный в данном руководстве по эксплуатации, был измерен в соответствии со стандартным испытанием, приведенным в EN 60745; его можно использовать для сравнения одного инструмента с другим и в качестве предварительной оценки воздействия вибрации при использовании инструмента для упомянутых приложений:

- использование инструмента для различных целей или с другими плохо обслуживаемыми принадлежностями может значительно увеличить уровень воздействия;
- время, когда инструмент выключен или когда он работает, но фактически не выполняет свою работу, может значительно снизить уровень воздействия.

Защитите себя от воздействия вибрации, ухаживая за инструментом и его принадлежностями, согревая руки и организовывая свои рабочие схемы.

Описание

Цифры в тексте относятся к схемам на страницах 2-3.

1. Переключатель включения / выключения
2. Выключатель блокировки
3. Задняя ручка
4. Задний ролик
5. Крышка угольной щетки
6. Болт лезвия
7. Внешний фланец
8. Алмазный диск
9. Передний ролик
10. Передняя ручка
11. Рычаг регулировки глубины.
12. Порт для удаления пыли.
13. Шкала регулировки глубины
14. Вакуумный шланг

3. СБОРКА



Перед сборкой всегда выключайте машину и вынимайте вилку из розетки.

Монтаж и замена диска

Рис. А, С, D



Сломанный или поврежденный диск необходимо немедленно заменить.



Используйте только диски, допустимая скорость вращения которых выше или равна максимальной скорости холостого хода машины.

Штроборез разработан для работы со специальными дисками 3-в-1. Используйте только диски, одобренные производителем.

1. Удерживайте внешний фланец (7) с помощью прилагаемого большого гаечного ключа.
2. Снимите болт (6) с помощью прилагаемого маленького гаечного ключа.
Заметка: болт имеет левую резьбу.
3. Снимите внешний фланец (7).

4. Установите диск (8) на шпиндель. Убедитесь, что стрелка на корпусе соответствует стрелке на диске (8).
Заметка: шпиндель не выступает из отверстия диска (8).
5. Вставьте внешний фланец (7) в отверстие диска. Поверните внешний фланец (7), нажимая на него, пока он не будет полностью затянут.
6. Затяните болт (6).
7. Используйте большой гаечный ключ, чтобы удерживать внешний фланец (7). Теперь затяните болт (6) маленьким гаечным ключом.

Чтобы извлечь диск, выполните процедуру установки в обратной последовательности.

Удаление пыли

Рис. А, F



Обеспечьте хорошую вентиляцию на рабочем месте.



Используйте защиту от пыли.

Пыль от определенных материалов, таких как твердые частицы, может быть вредна для вашего здоровья. Вдыхание этой пыли может вызвать аллергические реакции и / или вызвать респираторные заболевания у пользователя или людей в непосредственной близости. Поэтому необходимо использовать систему пылеудаления, подходящую для данного материала. Для этого:



Пылеудаляющий аппарат должен соответствовать обрабатываемому материалу.



При уборке сухой пыли, которая особенно опасна для здоровья или канцерогена, используйте специальный пылесос.

Шланг пылесоса (14) может быть подсоединен к отверстию для удаления пыли (12). Приступая к работе, сначала включите систему пылеудаления, например, промышленный пылесос, затем включите резак. По окончании работы действуйте в

обратном порядке - сначала выключите резак, затем пылесос.



Избегайте скопления пыли на рабочем месте. Пыль легко воспламеняется.

Система пылеудаления может быть заблокирована пылью, стружкой или фрагментами заготовки. Таким образом, его необходимо регулярно чистить. Для этого:

1. Выньте вилку сетевого шнура из розетки.
2. Дождитесь полной остановки диска (8).
3. При необходимости удалите все засорения.

4. РАБОТА

Регулировка глубины резания

Рис. В, Е



Установите глубину чейза перед началом работы и при выключенном приборе.

1. Ослабьте рычаг (11), переместив его назад.
2. Отрегулируйте требуемую глубину резания, как показано на рисунке Е. Глубину можно увидеть на шкале (13).
3. Затяните рычаг (11), переместив его вперед.

Включение и выключение

Рис. А

- Чтобы включить машину, удерживайте нажатой кнопку отключения блокировки (2) и одновременно нажмите выключатель (1).
- Чтобы выключить машину, отпустите выключатель (1).

Делаем разрез

Рис. А, G



Штроборез предназначен только для прямых пропилов. Не допускается выполнение криволинейных или круглых надрезов.



Инструмент предназначен только для сухой резки.



Всегда держите инструмент двумя руками за изолированные ручки.

1. Нарисуйте линии, чтобы определить направление, в котором следует направлять диски.
 2. Установите пылесос на выпускное отверстие для пыли.
 3. Установите глубину реза.
 4. Установите задний ролик (4) на поверхность стены. Учтите, что диск еще не должен касаться поверхности стены.
 5. Включите штроборез и подождите, пока диски не достигнут полной скорости вращения.
 6. Постепенно опускайте резак, погружая диски в поверхность стены.
 7. Как только передний ролик (9) коснется поверхности стены, продолжайте резку и переместите резак вперед и от себя (в направлении, противоположном вращению отрезного диска).
 8. Медленно перемещайте машинку по заранее начерченным линиям, плотно прижимая колеса к стене.
- Заметка:** Не давите на машину слишком сильно. Позвольте машине делать свою работу. Приложение чрезмерного давления может вызвать перегрев двигателя и повреждение отрезного диска.
9. Чтобы закончить резку, выключите машину и дождитесь полной остановки дисков. После этого выньте диски из чейза и положите машину.



После выключения штробореза не прилагайте усилий для торможения вращающегося диска, прижимая его к обрабатываемому материалу.



Отрезные диски во время работы нагреваются до высоких температур - не касайтесь их незащищенными частями тела, пока они не остынут.

Заметка: При резке очень твердых материалов отрезной диск может перегреться и, как следствие, выйти из строя. Чрезмерное количество искр вокруг отрезного диска указывает на перегрев. Когда он появится, прекратите резку и охладите диск, запустив его на полной скорости вращения без нагрузки в течение 3-5 минут. Снижение эффективности резания и постоянные чрезмерные искры

вокруг отрезного диска могут указывать на затупление отрезного диска.

5. ТЕХНИЧЕСКОЕ ОБСЛУЖИВАНИЕ



Перед очисткой и обслуживанием всегда выключайте машину и вынимайте вилку из розетки.

Регулярно очищайте корпус машины мягкой тканью, желательно после каждого использования. Убедитесь, что в вентиляционных отверстиях нет пыли и грязи. Удалите очень стойкие загрязнения мягкой тканью, смоченной мыльной водой. Не используйте какие-либо растворители, такие как бензин, спирт, аммиак и т. Д. Такие химические вещества могут повредить синтетические компоненты.

ОКРУЖАЮЩАЯ СРЕДА



Неисправные и / или утилизированные электрические или электронные устройства должны быть собраны в соответствующих местах переработки.

Только для стран ЕС

Не выбрасывайте электроинструменты вместе с бытовыми отходами. В соответствии с Европейской директивой 2012/19 / ЕС по утилизации электрического и электронного оборудования и ее внедрением в национальное право, электроинструменты, которые больше не используются, необходимо собирать отдельно и утилизировать экологически безопасным способом.

ГАРАНТИЯ

Продукция FERM разработана в соответствии с высочайшими стандартами качества, и на нее гарантируется отсутствие дефектов материалов и изготовления в течение установленного законом срока, начиная с даты первоначальной покупки. Если в течение этого периода в изделии произойдет какой-

либо сбой из-за дефектного материала и / или изготовления, обратитесь напрямую к вашему дилеру FERM.

Гарантия не распространяется на следующие обстоятельства:

- Ремонт и / или изменение машины производились или пытались выполнить неавторизованные сервисные центры.
- Обычный износ.
- Инструмент подвергся злоупотреблению, неправильному использованию или неправильному обслуживанию.
- Используются неоригинальные запчасти

Это единственная гарантия компании как в прямом так и в косвенном выражении. Другие гарантии отсутствуют как в прямом так и в косвенном выражении за пределами лицевой стороны настоящего документа, в том числе косвенные гарантии коммерческой ценности и пригодности для определенной цели. Компания FERM не несет ответственности за любые случайные или косвенные убытки. Действия дилера ограничены ремонтом или заменой несоответствующих единиц и частей.

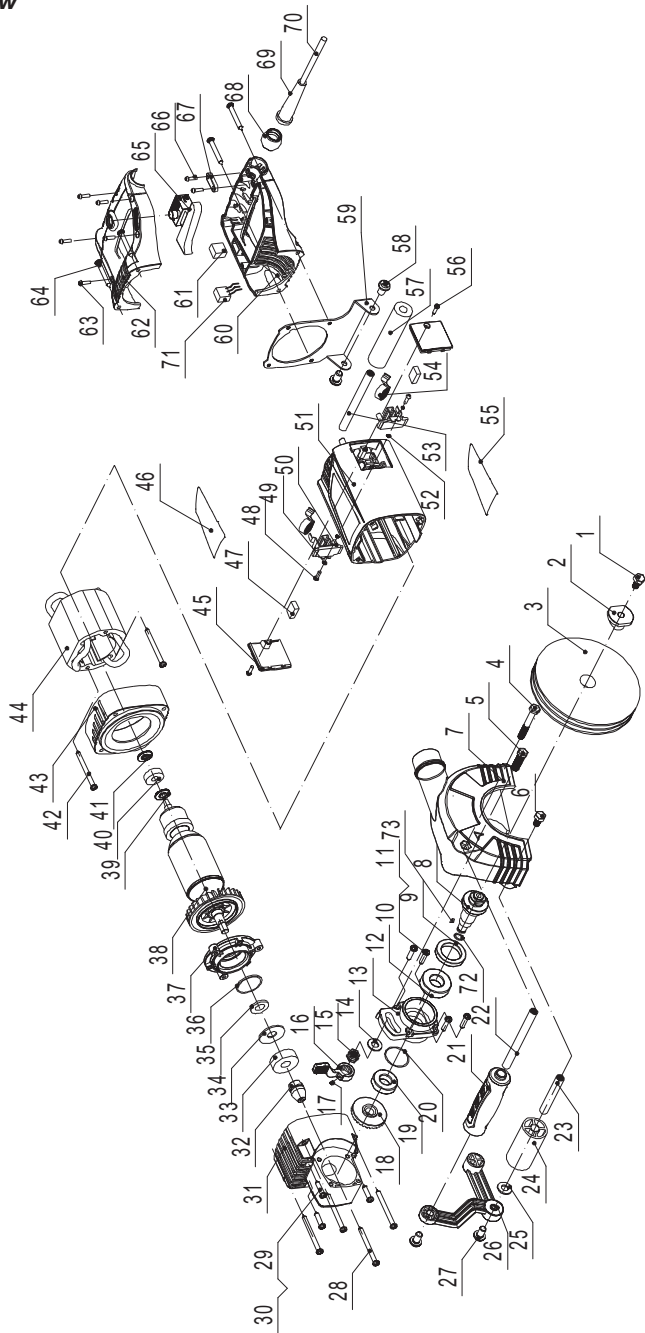
Продукт и руководство пользователя могут быть изменены. Технические характеристики могут быть изменены без предварительного уведомления.

Spare parts list

WCM1001P

Article no.	Description	Position no.
481697	Bolt	1
481698	Outer flange	2
481699	Seal	9
481700	Bearing 6004	12
481701	Depth adjustment lever set	14..17
481702	Spindle complete	8 9 12 13 18...20
481703	Bearing 6003	19
481704	O-ring	20
481705	Front roller	24
481706	Gear housing	31
481707	Pinion gear	32
481708	Front rotor bearing 6301	33
481709	Wool ring	35
481710	O-ring	36
481711	Rotor	38
481712	Ring	39
481713	Rear rotor bearing 6000	40
481714	Stator	44
481715	Carbon brush	47
481716	Carbon brush holder set	48..50 54
481718	Rear roller	57
481719	Switch	65
481720	Soft start electronics	71

Exploded view





DECLARATION OF CONFORMITY WCM1001P - WALL CHASER

- (EN) We declare under our sole responsibility that this product is in conformity with directive 2011/65/EU of the European parliament and of the council of 8 June on the restriction of the use of certain hazardous substances in electrical and electronic equipment is in conformity and accordance with the following standards and regulations:
- (DE) Der Hersteller erklärt eigenverantwortlich, dass dieses Produkt der Direktive 2011/65/EU des Europäischen Parlaments und des Rats vom 8. Juni 2011 über die Einschränkung der Anwendung von bestimmten gefährlichen Stoffen in elektrischen und elektronischen Geräten entspricht. den folgenden Standards und Vorschriften entspricht:
- (NL) Wij verklaren onder onze volledige verantwoordelijkheid dat dit product voldoet aan de conform Richtlijn 2011/65/EU van het Europees Parlement en de Raad van 8 juni 2011 betreffende beperking van het gebruik van bepaalde gevaarlijke stoffen in elektrische en elektronische apparatuur en in overeenstemming is met de volgende standaarden en reguleringen:
- (FR) Nous déclarons sous notre seule responsabilité que ce produit est conforme aux standards et directives suivants: est conforme à la Directive 2011/65/UE du Parlement Européen et du Conseil du 8 juin 2011 concernant la limitation d'usage de certaines substances dangereuses dans l'équipement électrique et électronique.
- (ES) Declaramos bajo nuestra exclusiva responsabilidad que este producto cumple con las siguientes normas y estándares de funcionamiento: se encuentra conforme con la Directiva 2011/65/UE del Parlamento Europeo y del Consejo de 8 de junio de 2011 sobre la restricción del uso de determinadas sustancias peligrosas en los equipos eléctricos y electrónicos.
- (PT) Declaramos por nossa total responsabilidade de que este produto está em conformidade e cumpre as normas e regulamentações que se seguem: está em conformidade com a Directiva 2011/65/UE do Parlamento Europeu e com o Conselho de 8 de Junho de 2011 no que respeita à restrição de utilização de determinadas substâncias perigosas existentes em equipamento eléctrico e electrónico.
- (IT) Dichiariamo, sotto la nostra responsabilità, che questo prodotto è conforme alle normative e ai regolamenti seguenti: è conforme alla Direttiva 2011/65/UE del Parlamento Europeo e del Consiglio dell'8 giugno 2011 sulla limitazione dell'uso di determinate sostanze pericolose nelle apparecchiature elettriche ed elettroniche.
- (SV) Vi garanterar på eget ansvar att denna produkt uppfyller och följer följande standarder och bestämmelser: uppfyller direktiv 2011/65/EU från Europeiska parlamentet och EG-rådet från den 8 juni 2011 om begränsningen av användning av farliga substanser i elektrisk och elektronisk utrustning.
- (FI) Vakuutamme yksinomaan omalla vastuullamme, että tämä tuote täyttää seuraavat standardit ja säädökset: täyttää Euroopan parlamentin ja neuvoston 8. kesäkuuta 2011 päivätyn direktiivin 2011/65/EU vaatimukset koskien vaarallisten aineiden käytön rajoitusta sähkö- ja elektronisissa laitteissa.
- (NO) Vi erklærer under vårt eget ansvar at dette produktet er i samsvar med følgende standarder og regler: er i samsvar med EU-direktiv 2011/65/UE fra Europaparlamentet og Europa-rådet, pr. 8 juni 2011, om begrensning i bruken av visse farlige stoffer i elektrisk og elektronisk utstyr.
- (DA) Vi erklærer under eget ansvar, at dette produkt er i overensstemmelse med følgende standarder og bestemmelser: er i overensstemmelse med direktiv 2011/65/UE fra Europa-Parlamentet og Rådet af 8. juni 2011 om begrænsning af anvendelsen af visse farlige stoffer i elektrisk og elektronisk udstyr.
- (HU) Felelősségünk teljes tudatában kijelentjük, hogy ez a termék teljes mértékben megfelel az alábbi szabványoknak és előírásoknak: je v souladu se směrnici 2011/65/EU Evropského parlamentu a Rady EU ze dne 8. června 2011, která se týká omezení použití určitých nebezpečných látek v elektrických a elektronických zařízeních.
- (CS) Na naši vlastní zodpovědnost prohlašujeme, že je tento výrobek v souladu s následujícími standardy a normami: Je v souladu s normou 2011/65/EU Evropského parlamentu a Rady z 8. júna 2011 týkajúcej sa obmedzenia používania určitých nebezpečných látok v elektrickom a elektronickom vybavení.
- (SK) Vyhlasujeme na našu výhradnú zodpovednosť, že tento výrobok je v zhode a súlade s nasledujúcimi normami a predpismi: Je v súlade s normou 2011/65/EU Európskeho parlamentu a Rady z 8. júna 2011 týkajúcej sa obmedzenia používania určitých nebezpečných látok v elektrickom a elektronickom vybavení.
- (SL) S polno odgovornostjo izjavljamo, da je ta izdelek v skladu in da odgovarja naslednjim standardom ter predpisom: je v skladu z direktivo 2011/65/EU Evropskega parlamenta in Sveta z dne 8. junij 2011 o omejevanju uporabe določenih nevarnih snovi v električni in elektronski opremi.
- (PL) Deklarujemy na własną odpowiedzialność, że ten produkt spełnia wymogi zawarte w następujących normach i przepisach: jest zgodny z Dyrektywą 2011/65/UE Parlamentu Europejskiego i Rady z dnia 8 czerwca 2011 r. w sprawie ograniczenia stosowania niektórych niebezpiecznych substancji w sprzęcie elektrycznym i elektronicznym.
- (LT) Prisiimdami visą atsakomybę deklaruojame, kad šis gaminytis atitinka Žemiau paminėtus standartus arba nuostatus: atitinka 2011 m. birželio 8 d. Europos Parlamento ir Tarybos direktyvą 2011/65/EB dėl tam tikrų pavojingų medžiagų naudojimo elektros ir elektroninėje įrangoje apribojimo.
- (LV) Ir atbilstoša Eiropas Parlamenta un Padomes 2011. gada 8. jūnija Direktīvai 2011/65/ES par dažu bīstamu vielu izmantošanu ierobežošanu elektriskās un elektroniskās iekārtās.
- (ET) Aggallvojam ar visiu atbildību, ka šis produkts ir saskaņā un atbilst sekojošiem standartiem un noteikumiem: ir atbilstoša Eiropas Parlamenta un Padomes 2011. gada 8. jūnija Direktīvai 2011/65/ES par dažāu bīstamu vielu izmantošanu ierobežošanu elektriskās un elektroniskās iekārtās.
- (RO) Declaram prin aceasta cu răspunderea deplină că produsul acesta este în conformitate cu următoarele standarde sau directive: este în conformitate cu Directiva 2011/65/UE a Parlamentului European și a Consiliului din 8 iunie 2011 cu privire la interzicerea utilizării anumitor substanțe periculoase la echipamentele electrice și electronice.
- (HR) Izjavljujemo pod vlastitom odgovornošću da je strojem ukladan sa slijedešim standardima ili standardiziranim dokumentima i u skladu sa odredbama: usklađeno s Direktivom 2011/65/EU europskog parlamenta i vijeća izdanom 8. lipnja 2011. o ograničenju korištenja određenih opasnih tvari u električnoj i elektroničkoj opremi.
- (SRL) Pod punom odgovornošću izjavljujemo da je usaglašen sa sledećim standardima ili normama: usaglašen sa direktivom 2011/65/EU Evropskog parlamenta i Saveta od 8.juna.2011. godine za restrikciju upotrebe određenih opasnih materija u električnoj i elektronoj opremi.
- (RU) Под свою ответственность заявляем, что данное изделие соответствует следующим стандартам и нормам: соответствует требованиям Директивы 2011/65/UE Европейского парламента и совета от 8 июня 2011 г. по ограничению использования определенных опасных веществ в электрическом и электронном оборудовании
- (UK) Na svoju vlasnu відповідальність заявляємо, що дане обладнання відповідає наступним стандартам і нормативам: задовольняє вимоги Директиви 2011/65/ЄС Європейського Парламенту та Ради від 8 червня 2011 року на обмеження використання деяких небезпечних речовин в електричному та електронному обладнанні.
- (EL) Δηλώνουμε υπεύθυνα ότι το προϊόν αυτό συμμορφώνεται με την Οδηγία 2011/65/ΕΕ του Ευρωπαϊκού Κοινοβουλίου και του Συμβουλίου της 8ης Ιουνίου 2011 για τον περιορισμό της χρήσης ορισμένων επικίνδυνων ουσιών σε ηλεκτρικό και ηλεκτρονικό εξοπλισμό.
- (AR) تعان على مسئوليتنا وحدنا أن هذا المنتج يتوافق مع المعايير والتوجيهات التالية:
- (TR) Sor sorumlusu biz olarak bu ürünüñ aşağıdaki standart ve yönergelere uygun olduđunu beyan ederiz.
- (MK) Izjavuваме so naša celosna odgovornost дека производит е во согласnost со Смерницата 2011/65/UE на Европскиот парламент и е во согласnost според Советот од 9 јуни за ограничување на користење на одредени опасни супстанции во електричната и електронската опрема и дека е според следните стандарди и регулативи:

EN 60745-1, EN 60745-2-22, EK9-BE-88, 2006/42/EC
EN 55014-1, EN 55014-2, EN 61000-3-2, EN 61000-3-11, 2014/30/EU
2011/65/EU, 2012/19/EU

Zwolle, 01-02-2021

H.G.F Rosberg
CEO FERM

FERM - Lingenstraat 6 - 8028 PM - Zwolle - The Netherlands

